



AMOL®

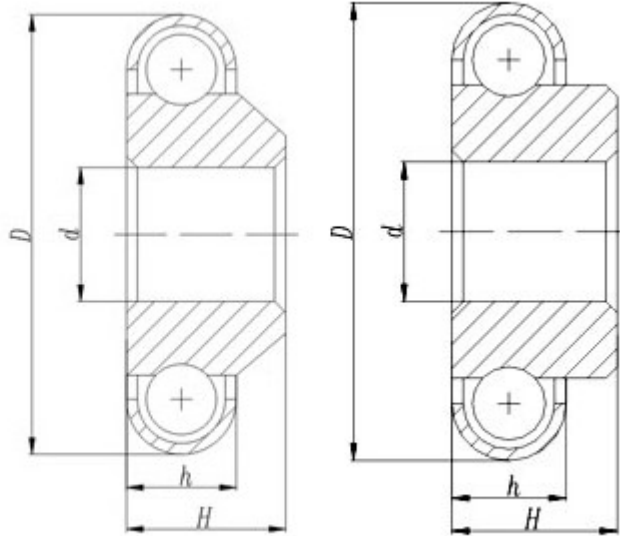
BEARINGS AND PULLEYS

Ningbo Amol Machinery Co., Ltd.
 Jiangsu Amol Bearing Co., Ltd.
 Ningbo Amol Intl. Trade Co., Ltd.

寧波安牧機械有限公司
 NINGBO AMOL MACHINERY TRADE CO.,

1789 XING ZHENG STREET
 KANDUN INDUSTRIAL ZONE
 Cixi City, Zhejiang 315300
 China

Spherical Stamping Bearings



ITEM NO.	DIMENSION(mm)				BALL	
	D	d	H	h	DIA.	NO.
M-A01	22	12.2	10.2	8.3	3/16'	13
M-A02	40	12.2	14.5	10	1/4'	15
M-B01	22	12.2	10.2	8.3	3/16'	13
M-B02	40	12.2	14.5	10	1/4'	15



AMOL®

BEARINGS AND PULLEYS

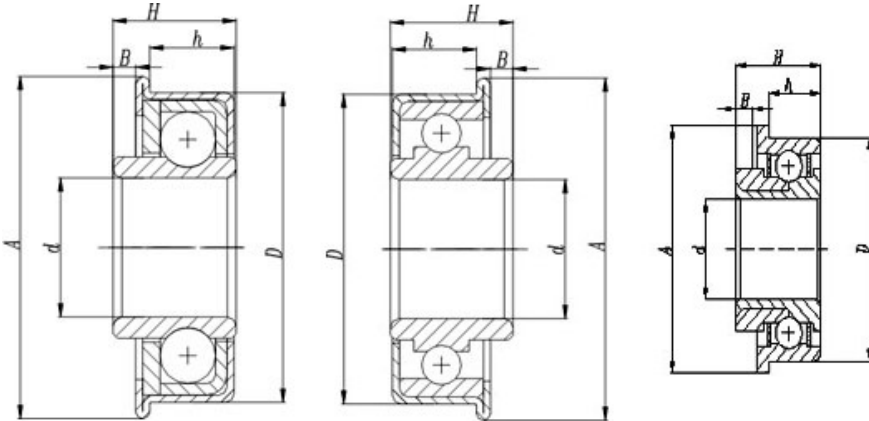
寧波安牧機械有限公司

NINGBO AMOL MACHINERY TRADE CO.,

Ningbo Amol Machinery Co., Ltd.
 Jiangsu Amol Bearing Co., Ltd.
 Ningbo Amol Intl. Trade Co., Ltd.

1789 XING ZHENG STREET
 KANDUN INDUSTRIAL ZONE
 Cixi City, Zhejiang 315300
 China

Flanged Cup Bearing - A-A** // A-B** //A-C**



ITEM NO.	DIMENSION(mm)						BALL	
	D	d	A	H	h	B	DIA.	NO.
A-A01	23	11.2	26	9.4	62	2	5/32'	12
A-A02	28.6	12.7	32	11.5	81	2	5/32'	16
A-A03	35	16	38	12	98	1	1/4'	10
A-A04	50.8	25.6	54	17	11.4	3.5	1/4'	19
A-B01	23	11.2	26	9.4	6.2	2	1/8'	16
A-B02	28.6	12.7	32	11.5	81	2	3/16'	13
A-B03	35	16	38	12	98	1	5/32'	20
A-B04	50.8	25.6	54	17	11.4	3.5	1/4'	19
A-B05	50.8	25.7	54	16.2	11.4	2.8	1/4'	19
A-B06	50.8	25.5	54	16.2	11.4	2.8	1/4'	19



AMOL®

BEARINGS AND PULLEYS

Ningbo Amol Machinery Co., Ltd.
Jiangsu Amol Bearing Co., Ltd.
Ningbo Amol Intl. Trade Co., Ltd.

寧波安牧機械有限公司

NINGBO AMOL MACHINERY TRADE CO.,

1789 XING ZHENG STREET
KANDUN INDUSTRIAL ZONE
Cixi City, Zhejiang 315300
China

A-B07	50.8	25.7	54	19.4	11.4	6	1/4'	19
A-C01	23	8	25.2	11	7.8	1.6	1/8'	17
A-C02	27	9.5	30	11.2	8	1.6	5/32'	15
A-C03	27	8	30	11.2	8	1.6	5/32'	15
A-C04	28.6	12.8	31.6	12.8	8	3.2	5/32'	16
A-C05	50.8	25.6	54	17	11.4	3.5	1/4'	19



AMOL®

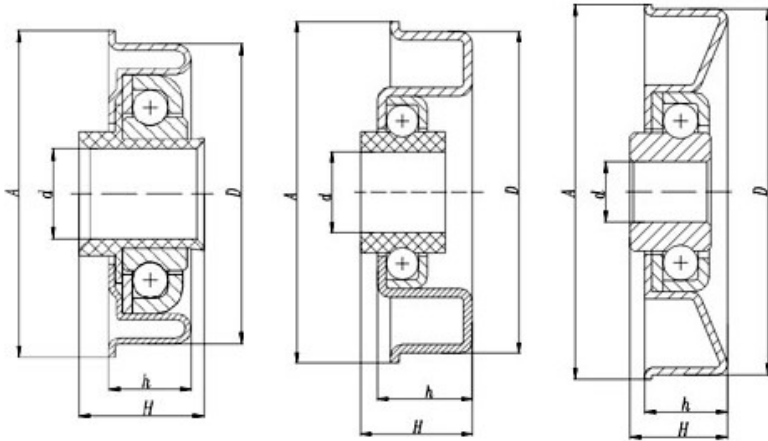
BEARINGS AND PULLEYS

寧波安牧機械有限公司
NINGBO AMOL MACHINERY TRADE CO.,

Ningbo Amol Machinery Co., Ltd.
Jiangsu Amol Bearing Co., Ltd.
Ningbo Amol Intl. Trade Co., Ltd.

1789 XING ZHENG STREET
KANDUN INDUSTRIAL ZONE
Cixi City, Zhejiang 315300
China

Flanged Cup Bearing - Y



ITEM NO.	DIMENSION(mm)					BALL	
	A	d	D	H	h	DIA.	NO.
Y-A01	43.6	12	40	16.7	11	1/16'	15
Y-A02	50	15	47.7	20	16	1/16'	15
Y-B01	50.7	12	47.8	16.6	14.1	1/16'	13
Y-C01	50.8	8.2	79.6	13.3	11.2	1/16'	12



AMOL®

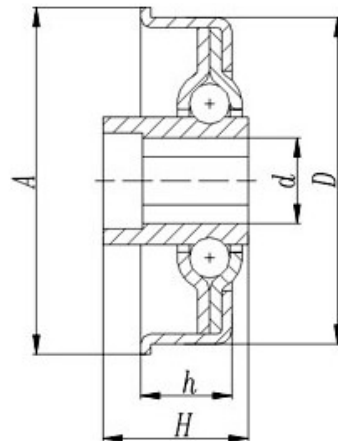
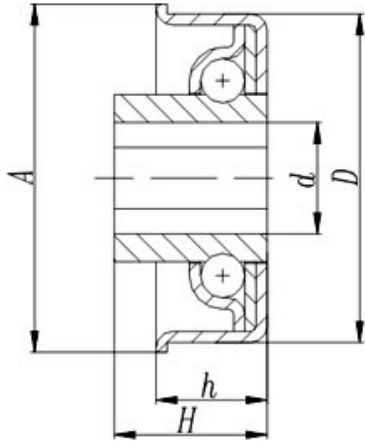
BEARINGS AND PULLEYS

Ningbo Amol Machinery Co., Ltd.
 Jiangsu Amol Bearing Co., Ltd.
 Ningbo Amol Intl. Trade Co., Ltd.

寧波安牧機械有限公司
 NINGBO AMOL MACHINERY TRADE CO.,

1789 XING ZHENG STREET
 KANDUN INDUSTRIAL ZONE
 Cixi City, Zhejiang 315300
 China

Flanged Cup Bearing - I-A**



ITEM NO.	DIMENSION(mm)					BALL	
	A	d	D	H	h	DIA.	NO.
I-A01	25	8	23.6	14.5	9.5	1/8'	15
I-A02	38	12	35.3	15.5	11.5	5/32'	18
I-A03	50	12	47.6	18	13	3/16'	19
I-A04	60	12	56	20.2	15.6	1/4'	17
I-B01	25	8	23.6	14.5	9.5	1/8'	15
I-B02	38	12	35.6	15.5	11.5	5/32'	18
I-B03	50	12	47.6	18	13	3/16'	19
I-B04	60	12	23.3	20.2	15.6	1/4'	17



AMOL®

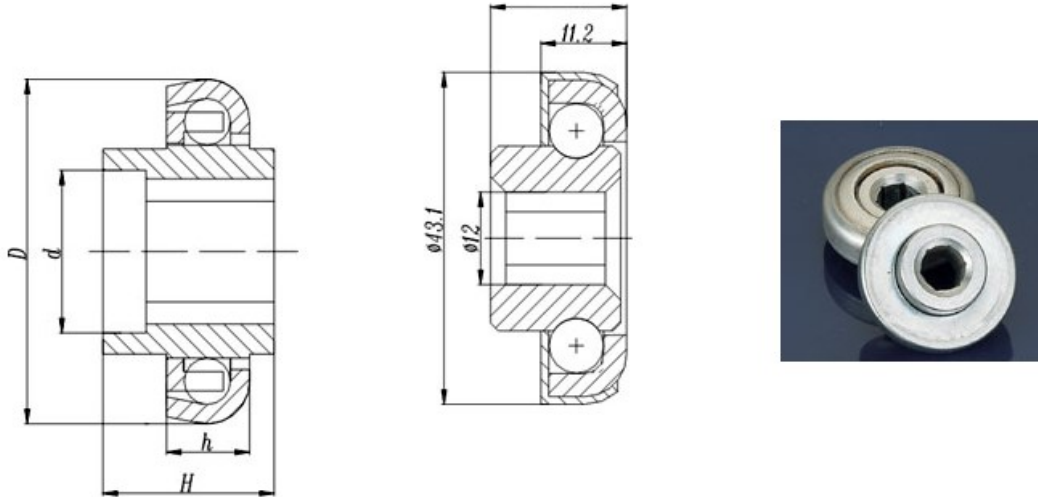
BEARINGS AND PULLEYS

Ningbo Amol Machinery Co., Ltd.
 Jiangsu Amol Bearing Co., Ltd.
 Ningbo Amol Intl. Trade Co., Ltd.

寧波安牧機械有限公司
 NINGBO AMOL MACHINERY TRADE CO.,

1789 XING ZHENG STREET
 KANDUN INDUSTRIAL ZONE
 Cixi City, Zhejiang 315300
 China

Flanged Cup Bearing - J-**



ITEM NO.	DIMENSION(mm)				BALL	
	D	d	H	h	NO.	DIA.
J-01	23	11.2	15	8	9	1/8'
J-02	28	13.1	15	8	9	1/8'
J-03	35	16.8	28	8.5	9	5/32'
J-04	50	25.6	23	10	9	1/4'



AMOL®

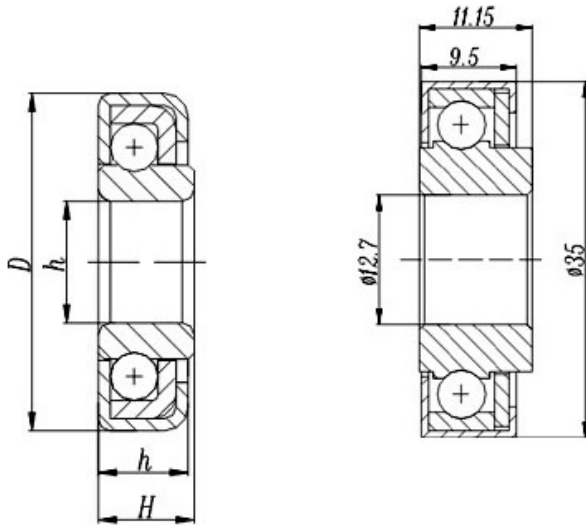
BEARINGS AND PULLEYS

Ningbo Amol Machinery Co., Ltd.
 Jiangsu Amol Bearing Co., Ltd.
 Ningbo Amol Intl. Trade Co., Ltd.

寧波安牧機械有限公司
 NINGBO AMOL MACHINERY TRADE CO.,

1789 XING ZHENG STREET
 KANDUN INDUSTRIAL ZONE
 Cixi City, Zhejiang 315300
 China

Flanged Cup Bearing - E



ITEM NO.	DIMENSION(mm)				BALL	
	D	d	H	h	NO.	DIA.
E-A01	28	10.1	8	7.6	13	5/32'
E-A02	28	12.1	8	7.6	13	5/32'
E-A03	28	10.1	10.1	7.6	13	5/32'
E-A04	28	12.1	10.1	7.6	13	5/32'
E-A05	28	12.3	11.8	7	13	5/32'



AMOL®

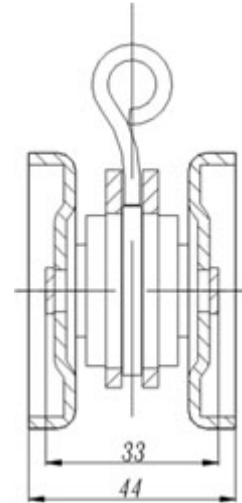
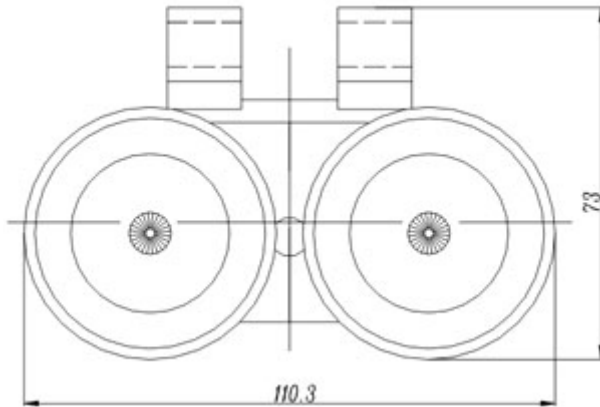
BEARINGS AND PULLEYS

Ningbo Amol Machinery Co., Ltd.
Jiangsu Amol Bearing Co., Ltd.
Ningbo Amol Intl. Trade Co., Ltd.

寧波安牧機械有限公司
NINGBO AMOL MACHINERY TRADE CO.,

1789 XING ZHENG STREET
KANDUN INDUSTRIAL ZONE
Cixi City, Zhejiang 315300
China

Stamped Roller Assembly





AMOL®

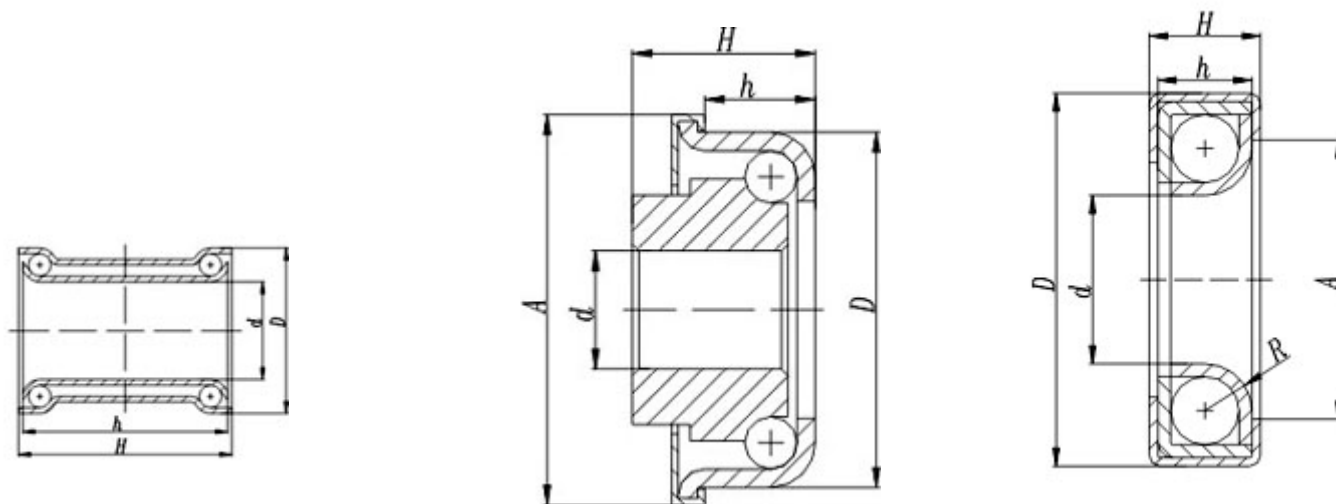
BEARINGS AND PULLEYS

寧波安牧機械有限公司
NINGBO AMOL MACHINERY TRADE CO.,

Ningbo Amol Machinery Co., Ltd.
Jiangsu Amol Bearing Co., Ltd.
Ningbo Amol Intl. Trade Co., Ltd.

1789 XING ZHENG STREET
KANDUN INDUSTRIAL ZONE
Cixi City, Zhejiang 315300
China

Flanged cup Angular contact Bearing



W-A

W-B

W-C

ITEM NO.	DIMENSION(mm)						BALL	
	D	d	A	H	h	B	DIA.	NO.
W-A01	22	8		25	20		1/8'	28
W-A02	28	12		35	30		5/32'	30
W-A03	28	15		25	20		1/8'	42
W-B01	26.1	8	31.3	13	8.5		5/32'	15
W-B02	26.1	10	31.3	13	8.5		5/32'	15
W-B03	26.1	12	31.3	13	8.5		5/32'	15
W-B04	26.1	12	31.3	12.3	8.5		5/32'	15
W-B05	27.1	12.1	30.2	12.3	8.5		3/16'	12

R



AMOL®

BEARINGS AND PULLEYS

Ningbo Amol Machinery Co., Ltd.
Jiangsu Amol Bearing Co., Ltd.
Ningbo Amol Intl. Trade Co., Ltd.

寧波安牧機械有限公司
NINGBO AMOL MACHINERY TRADE CO.,

1789 XING ZHENG STREET
KANDUN INDUSTRIAL ZONE
Cixi City, Zhejiang 315300
China

W-C01	27	12	19.1	9.1	7.9	2.4	5/32'	15
W-C02	32	15	23	9.1	7.9	3.6	3/16'	15
W-C03	32	15	26.2	12.3	10.7		1/4'	12
W-C04	40	20	31.8	12.7	11.9		3/16'	19





AMOL®

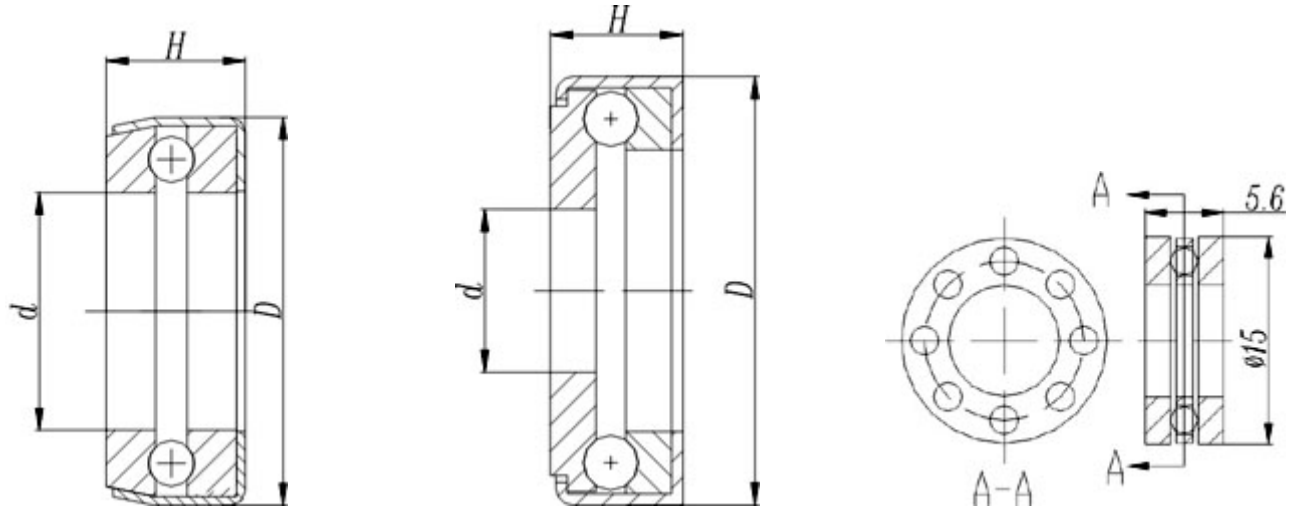
BEARINGS AND PULLEYS

寧波安牧機械有限公司
NINGBO AMOL MACHINERY TRADE CO.,

Ningbo Amol Machinery Co., Ltd.
Jiangsu Amol Bearing Co., Ltd.
Ningbo Amol Intl. Trade Co., Ltd.

1789 XING ZHENG STREET
KANDUN INDUSTRIAL ZONE
Cixi City, Zhejiang 315300
China

Thrust Ball Bearings



T-A	T-B	T-C
-----	-----	-----

ITEM NO.	DIMENSION(mm)			BALL	
	d	D	H	DIA.	NO.
T-A01	7.3	13	7	2	15
T-A02	7.3	14	7	2.5	13
T-A03	7.3	15	7	2.5	13
T-A04	8.3	15	7	2.5	13
T-A05	9.3	17.5	6	2.5	16
T-A06	10.3	17.5	6	2.5	16
T-A07	11.3	20	7	2.5	19
T-A08	12.3	22	8	1/8'	16
T-A09	13.3	22	8	1/8'	16
T-A010	14.4	25	8.5	1/8'	19
T-A011	16.4	25	9	1/8'	19



AMOL®

BEARINGS AND PULLEYS

Ningbo Amol Machinery Co., Ltd.
Jiangsu Amol Bearing Co., Ltd.
Ningbo Amol Intl. Trade Co., Ltd.

寧波安牧機械有限公司
NINGBO AMOL MACHINERY TRADE CO.,

1789 XING ZHENG STREET
KANDUN INDUSTRIAL ZONE
Cixi City, Zhejiang 315300
China

T-A012	18.4	33	10	3/16'	16
T-A013	20.4	33	10	3/16'	16
T-A014	22.5	43.5	12	5	20
T-A015	23.5	43.5	12	5	20
T-A016	24.5	43.5	12	5	21
T-A017	25.5	43.5	12	5	21
T-A018	26.5	43.5	12	5	21
T-B01	36.8	14.2	11.4	3/16'	18





AMOL®

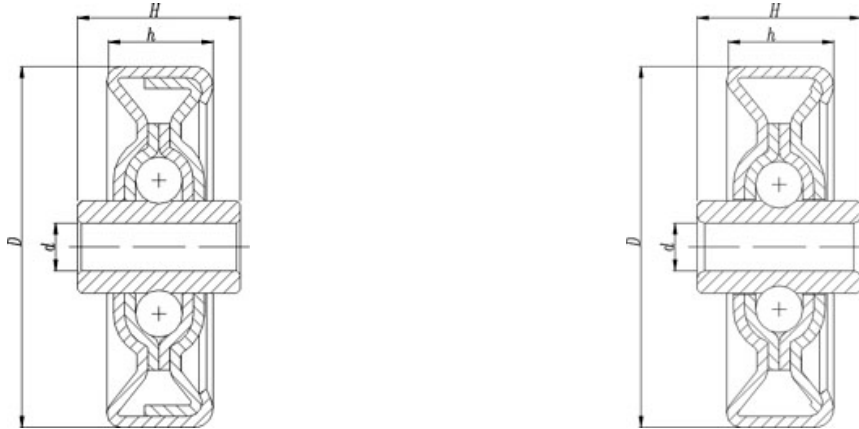
BEARINGS AND PULLEYS

Ningbo Amol Machinery Co., Ltd.
 Jiangsu Amol Bearing Co., Ltd.
 Ningbo Amol Intl. Trade Co., Ltd.

寧波安牧機械有限公司
 NINGBO AMOL MACHINERY TRADE CO.,

1789 XING ZHENG STREET
 KANDUN INDUSTRIAL ZONE
 Cixi City, Zhejiang 315300
 China

Conveyor Wheel



TEM NO.	C-A				C-B	
	DIMENSION(mm)					
	D	d	H	h	DIA.	NO.
C-A01	49.2	6.5	22.2	14.2	4/1	8
C-A02	49.2	6.5	20.6	17	4/1	7
C-A03	49.2	8	20.6	17	4/1	7
C-B01	49.2	6.5	22.2	14.2	4/1	8
C-B02	49.2	8	22.2	14.2	4/1	8





AMOL®

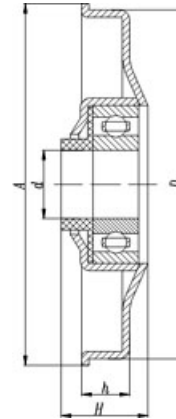
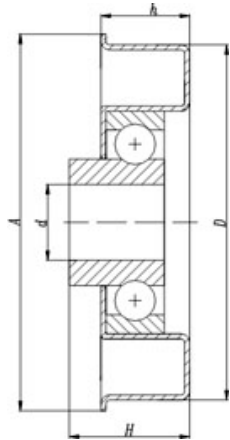
BEARINGS AND PULLEYS

Ningbo Amol Machinery Co., Ltd.
 Jiangsu Amol Bearing Co., Ltd.
 Ningbo Amol Intl. Trade Co., Ltd.

寧波安牧機械有限公司
 NINGBO AMOL MACHINERY TRADE CO.,

1789 XING ZHENG STREET
 KANDUN INDUSTRIAL ZONE
 Cixi City, Zhejiang 315300
 China

Roller bearing



ITEM NO.	G-A				G-B			
	DIMENSION(mm)				BALL			
	A	d	D	H	h	DIA.	NO.	
G-A01	50	12	47.7	19	14	1/4'	12	
G-A02	60	12	56.2	19	14	1/4'	12	
G-A03	60	15	55	20	16	1/4'	12	
G-A04	76	20	72	26	22	5/16'	14	
G-A05	80	20	76	16	22	5/16'	14	
G-B01	79.4	15	76.6	19	10.5	1/4'	8	

