



# AMOL®

BEARINGS AND PULLEYS

Ningbo Amol Machinery Co., Ltd.  
Jiangsu Amol Bearing Co., Ltd.  
Ningbo Amol Intl. Trade Co., Ltd.

寧波安牧機械有限公司  
NINGBO AMOL MACHINERY TRADE CO.,

1789 XING ZHENG STREET  
KANDUN INDUSTRIAL ZONE  
Cixi City, Zhejiang 315300  
China

## Overhead conveyor system:

Overhead Trolleys  
Trolley Attachments  
X-Type Chain  
Pusher Dogs  
Chain-On-Edge

Industrial paint baking line

Industrial Products Application





# AMOL®

BEARINGS AND PULLEYS

Ningbo Amol Machinery Co., Ltd.  
Jiangsu Amol Bearing Co., Ltd.  
Ningbo Amol Intl. Trade Co., Ltd.

寧波安牧機械有限公司  
NINGBO AMOL MACHINERY TRADE CO.,

1789 XING ZHENG STREET  
KANDUN INDUSTRIAL ZONE  
Cixi City, Zhejiang 315300  
China





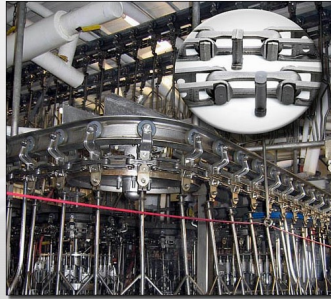
# AMOL®

BEARINGS AND PULLEYS

寧波安牧機械有限公司  
NINGBO AMOL MACHINERY TRADE CO.,

Ningbo Amol Machinery Co., Ltd.  
Jiangsu Amol Bearing Co., Ltd.  
Ningbo Amol Intl. Trade Co., Ltd.

1789 XING ZHENG STREET  
KANDUN INDUSTRIAL ZONE  
Cixi City, Zhejiang 315300  
China



Application in Industrial Overhead Conveyor System



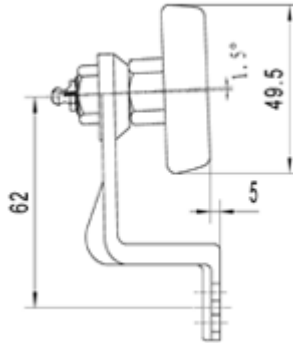


**AMOL**<sup>®</sup>  
BEARINGS AND PULLEYS

Ningbo Amol Machinery Co., Ltd.  
Jiangsu Amol Bearing Co., Ltd.  
Ningbo Amol Intl. Trade Co., Ltd.

寧波安牧機械有限公司  
NINGBO AMOL MACHINERY TRADE CO.,

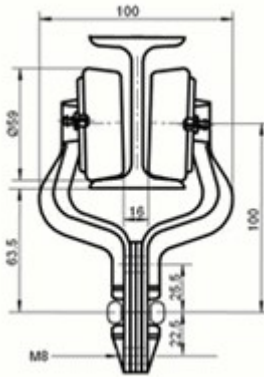
1789 XING ZHENG STREET  
KANDUN INDUSTRIAL ZONE  
Cixi City, Zhejiang 315300  
China



### 228 Overhead Trolley

Standard trolley has a riveted 59mm diameter wheel. This can be supplied with caged or full ball wheels, with or without dust cover.

weight of two wheel trolley **1.35kg**



### 348 Overhead Trolley- 63.5mm Drop

Standard trolley has a riveted 59mm diameter wheel. This can be supplied with caged or full ball wheels, with or without dust cover.

weight of two wheel trolley **1.35kg**

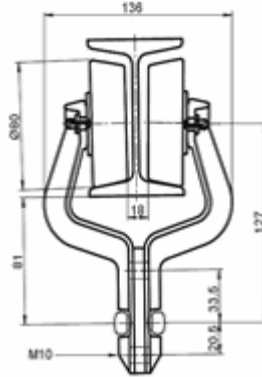


**AMOL**<sup>®</sup>  
BEARINGS AND PULLEYS

Ningbo Amol Machinery Co., Ltd.  
Jiangsu Amol Bearing Co., Ltd.  
Ningbo Amol Intl. Trade Co., Ltd.

寧波安牧機械有限公司  
NINGBO AMOL MACHINERY TRADE CO.,

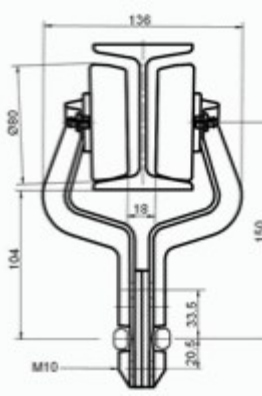
1789 XING ZHENG STREET  
KANDUN INDUSTRIAL ZONE  
Cixi City, Zhejiang 315300  
China



### 458 overhead trolley- 81.0mm Drop

Standard trolley has a riveted 80mm diameter wheel. This can be supplied with caged or full ball wheels, with or without dust cover.

weight of two wheel trolley **2.70kg**



### 458 Overhead Trolley- 104.0mm Drop

Standard trolley has a riveted 59mm diameter wheel. This can be supplied with caged or full ball wheels, with or without dust cover.

weight of two wheel trolley **2.90kg**



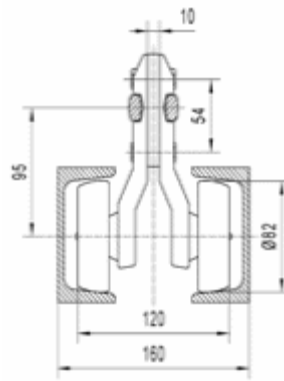
# AMOL®

BEARINGS AND PULLEYS

Ningbo Amol Machinery Co., Ltd.  
Jiangsu Amol Bearing Co., Ltd.  
Ningbo Amol Intl. Trade Co., Ltd.

寧波安牧機械有限公司  
NINGBO AMOL MACHINERY TRADE CO.,

1789 XING ZHENG STREET  
KANDUN INDUSTRIAL ZONE  
Cixi City, Zhejiang 315300  
China



**458 inverted trolley**

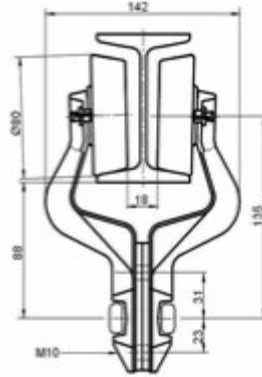


**AMOL**<sup>®</sup>  
BEARINGS AND PULLEYS

Ningbo Amol Machinery Co., Ltd.  
Jiangsu Amol Bearing Co., Ltd.  
Ningbo Amol Intl. Trade Co., Ltd.

寧波安牧機械有限公司  
NINGBO AMOL MACHINERY TRADE CO.,

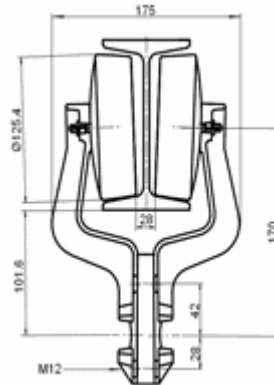
1789 XING ZHENG STREET  
KANDUN INDUSTRIAL ZONE  
Cixi City, Zhejiang 315300  
China



**678 Overhead Trolley- 4"x6" 88.0mm Drop**

Standard trolley has a riveted 59mm diameter wheel. This can be supplied with caged or full ball wheels, with or without dust cover.

weight of two wheel trolley **3.20kg**



**678 Overhead Trolley- 6"x6" 101.6mm Drop**

Standard trolley has a riveted 59mm diameter wheel. Which can be supplied with caged or full ball wheels, with or without dust cover.

weight of two wheel trolley



# AMOL®

BEARINGS AND PULLEYS

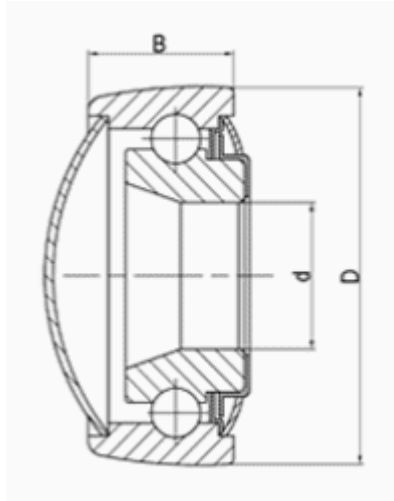
Ningbo Amol Machinery Co., Ltd.  
Jiangsu Amol Bearing Co., Ltd.  
Ningbo Amol Intl. Trade Co., Ltd.

## 寧波安牧機械有限公司

### NINGBO AMOL MACHINERY TRADE CO.,

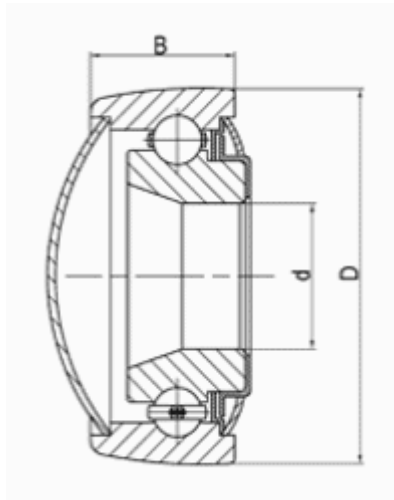
1789 XING ZHENG STREET  
KANDUN INDUSTRIAL ZONE  
Cixi City, Zhejiang 315300  
China

### Wheels



Full ball wheel

- 348 Dia 55
- 348 Dia 59
- 458 Dia 80
- 458 Dia 82
- 678 Dia 125.4



Retainer-type Roller Bearing

- 348 Dia 55
- 348 Dia 59
- 458 Dia 80
- 458 Dia 82
- 678 Dia 125.4





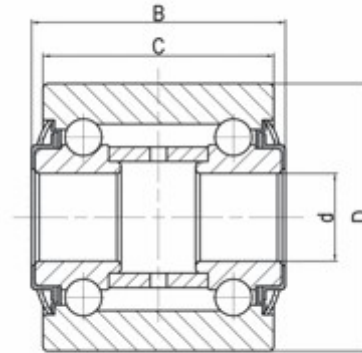
# AMOL®

BEARINGS AND PULLEYS

Ningbo Amol Machinery Co., Ltd.  
Jiangsu Amol Bearing Co., Ltd.  
Ningbo Amol Intl. Trade Co., Ltd.

寧波安牧機械有限公司  
NINGBO AMOL MACHINERY TRADE CO.,

1789 XING ZHENG STREET  
KANDUN INDUSTRIAL ZONE  
Cixi City, Zhejiang 315300  
China



#### Roller Turn Rollers

Dia 42x13x29

Dia 60x16.2x65

Dia 70x16.2x50

Dia 70x16.2x60

Dia 70x16.2x70



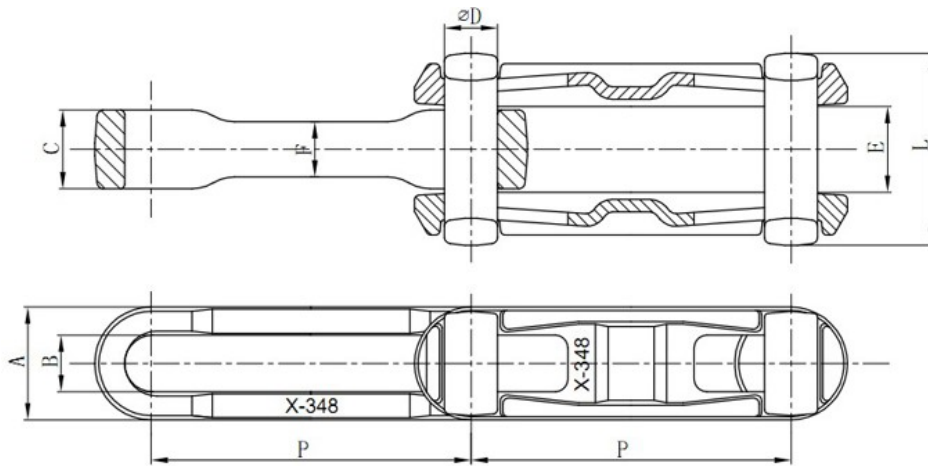
**AMOL**<sup>®</sup>  
BEARINGS AND PULLEYS

Ningbo Amol Machinery Co., Ltd.  
Jiangsu Amol Bearing Co., Ltd.  
Ningbo Amol Intl. Trade Co., Ltd.

寧波安牧機械有限公司  
NINGBO AMOL MACHINERY TRADE CO.,

1789 XING ZHENG STREET  
KANDUN INDUSTRIAL ZONE  
Cixi City, Zhejiang 315300  
China

## 348 CHAIN



Chain Number	Chain Shaft Dimensions (mm)								Ultimate tensile strength (KN)	Chain weight Kg/meter
	P	D	L	A	B	C	E	F		
X348	76.6	12.7	46	27	13.5	18.8	20.5	13.2	110	3.2



# AMOL®

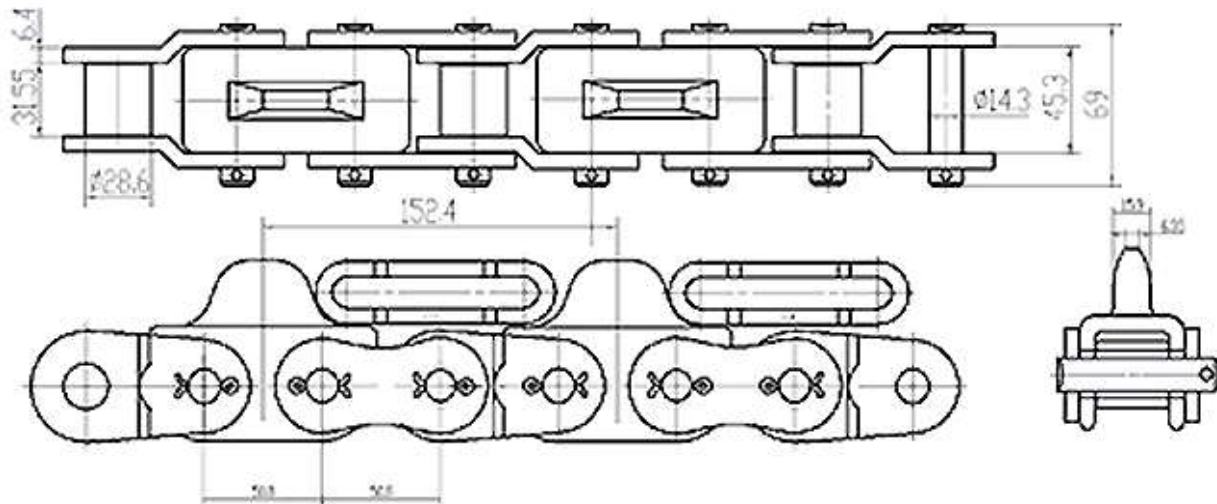
BEARINGS AND PULLEYS

Ningbo Amol Machinery Co., Ltd.  
Jiangsu Amol Bearing Co., Ltd.  
Ningbo Amol Intl. Trade Co., Ltd.

寧波安牧機械有限公司  
NINGBO AMOL MACHINERY TRADE CO.,

1789 XING ZHENG STREET  
KANDUN INDUSTRIAL ZONE  
Cixi City, Zhejiang 315300  
China

## 348 CHAIN





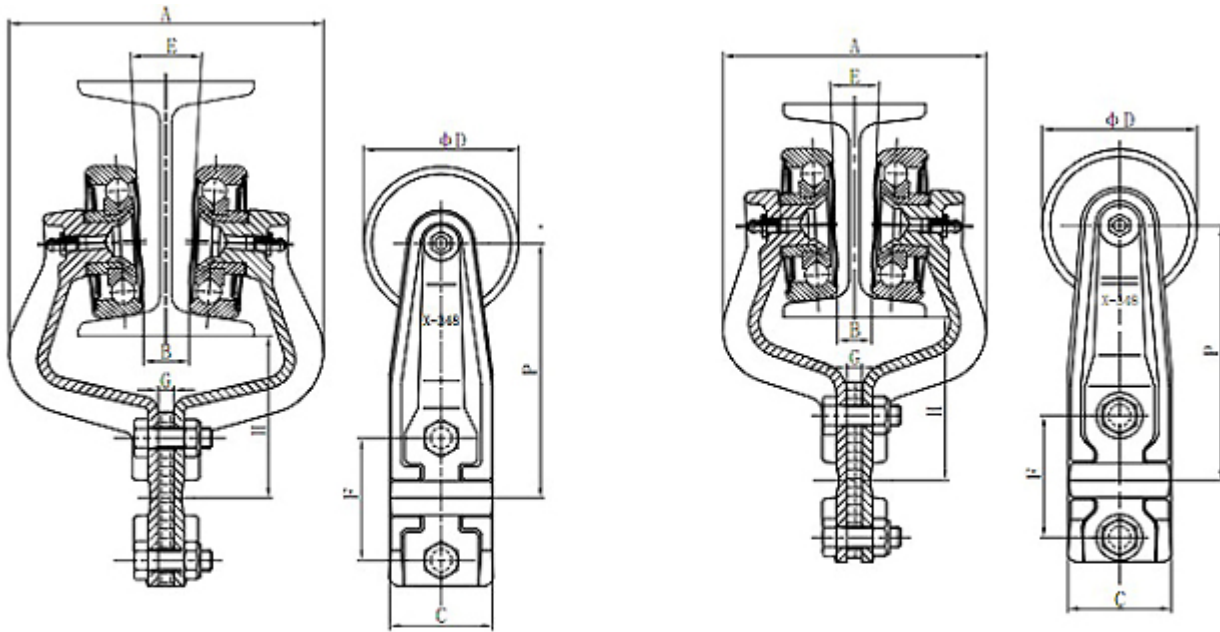
**AMOL**<sup>®</sup>  
BEARINGS AND PULLEYS

寧波安牧機械有限公司  
NINGBO AMOL MACHINERY TRADE CO.,

Ningbo Amol Machinery Co., Ltd.  
Jiangsu Amol Bearing Co., Ltd.  
Ningbo Amol Intl. Trade Co., Ltd.

1789 XING ZHENG STREET  
KANDUN INDUSTRIAL ZONE  
Cixi City, Zhejiang 315300  
China

## 348 CHAIN HANGER



X348 FOR 110

X348 FOR 18

Chain Number	Chain Shaft Dimensions (mm)								
	P	H	A	B	C	D	E	F	G
X348 (I8)	100	64	102	14	40	60	4°	47.8	6
X348 (I10)	100	63.5	122	16	40	60	4°	47.8	6



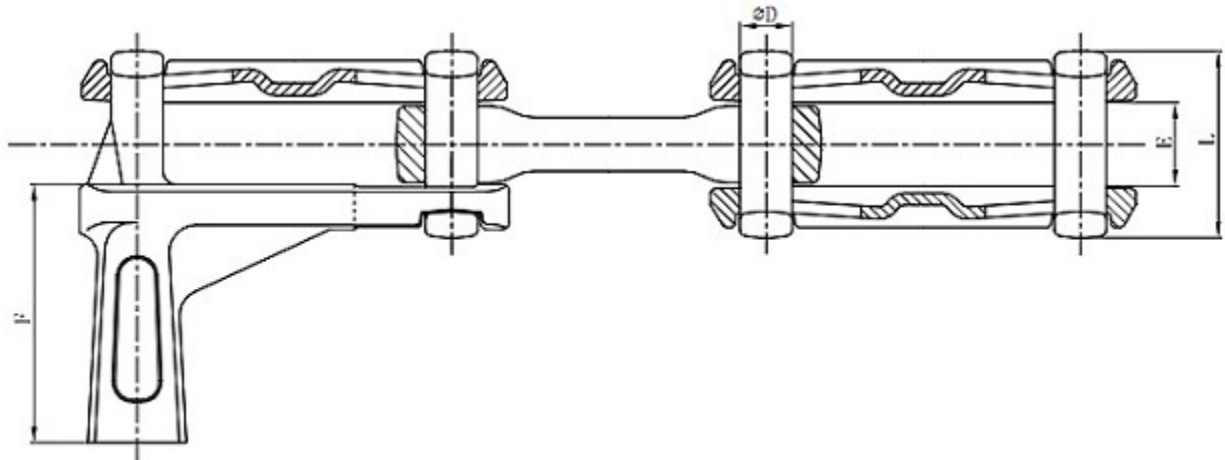
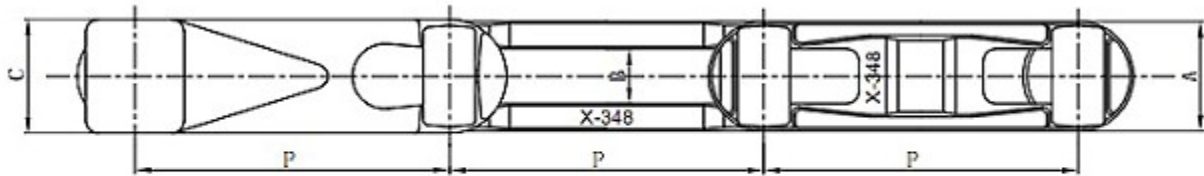
**AMOL**<sup>®</sup>  
BEARINGS AND PULLEYS

Ningbo Amol Machinery Co., Ltd.  
Jiangsu Amol Bearing Co., Ltd.  
Ningbo Amol Intl. Trade Co., Ltd.

寧波安牧機械有限公司  
NINGBO AMOL MACHINERY TRADE CO.,

1789 XING ZHENG STREET  
KANDUN INDUSTRIAL ZONE  
Cixi City, Zhejiang 315300  
China

## 348 CHAIN



Chain Number	Chain Shaft Dimensions (mm)								Ultimate tensile strength (KN)	Chain weight Kg/meter
	P	D	L	A	B	C	E	F		
X348	76.6	12.7	46	27	13.5	28	20.5	13.2	110	3.4



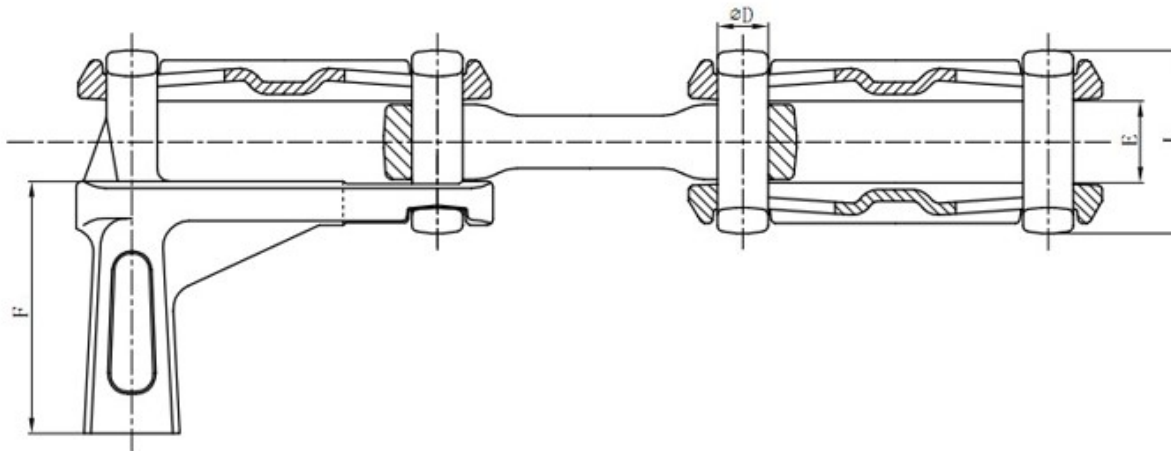
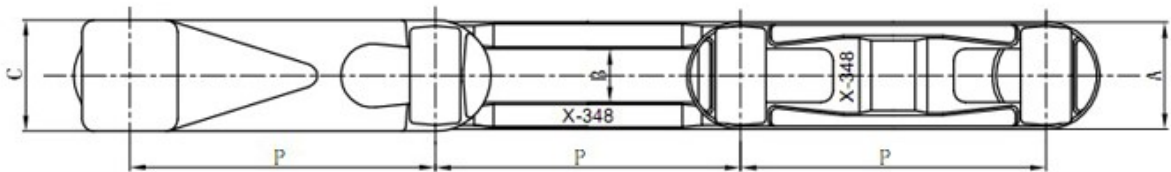
**AMOL**<sup>®</sup>  
BEARINGS AND PULLEYS

Ningbo Amol Machinery Co., Ltd.  
Jiangsu Amol Bearing Co., Ltd.  
Ningbo Amol Intl. Trade Co., Ltd.

寧波安牧機械有限公司  
NINGBO AMOL MACHINERY TRADE CO.,

1789 XING ZHENG STREET  
KANDUN INDUSTRIAL ZONE  
Cixi City, Zhejiang 315300  
China

### 348 CHAIN with narrow pusher



Chain Number	Chain Shaft Dimensions (mm)								Ultimate tensile strength (KN)	Chain weight Kg/meter
	P	D	L	A	B	C	E	F		
X348	76.6	12.7	46	27	13.5	28	20.5	63.5	110	3.4



**AMOL**®  
BEARINGS AND PULLEYS

Ningbo Amol Machinery Co., Ltd.  
Jiangsu Amol Bearing Co., Ltd.  
Ningbo Amol Intl. Trade Co., Ltd.

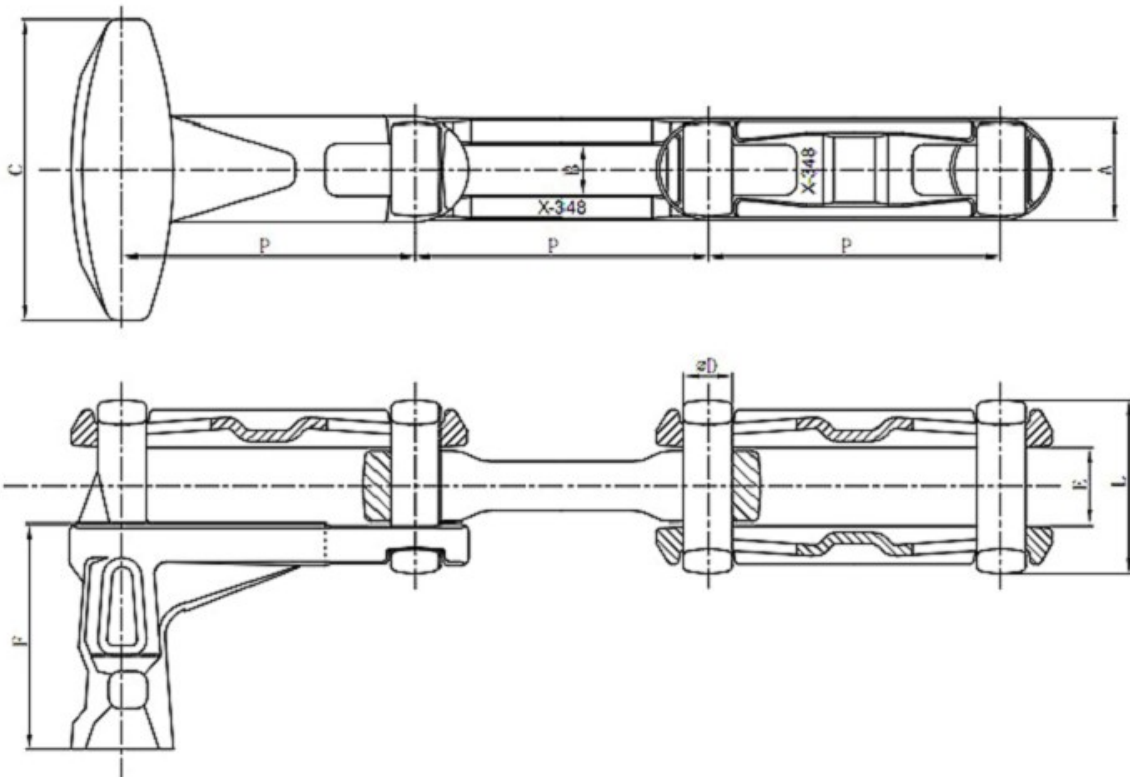
寧波安牧機械有限公司  
NINGBO AMOL MACHINERY TRADE CO.,

1789 XING ZHENG STREET  
KANDUN INDUSTRIAL ZONE  
Cixi City, Zhejiang 315300  
China

### 348 CHAIN with wide pusher



X-348帶寬推鏈條



Chain Number	Chain Shaft Dimensions (mm)								Ultimate tensile strength (KN)	Chain weight Kg/meter
	P	D	L	A	B	C	E	F		
X348	76.6	12.7	46	27	13.5	80	20.5	60	110	3.6



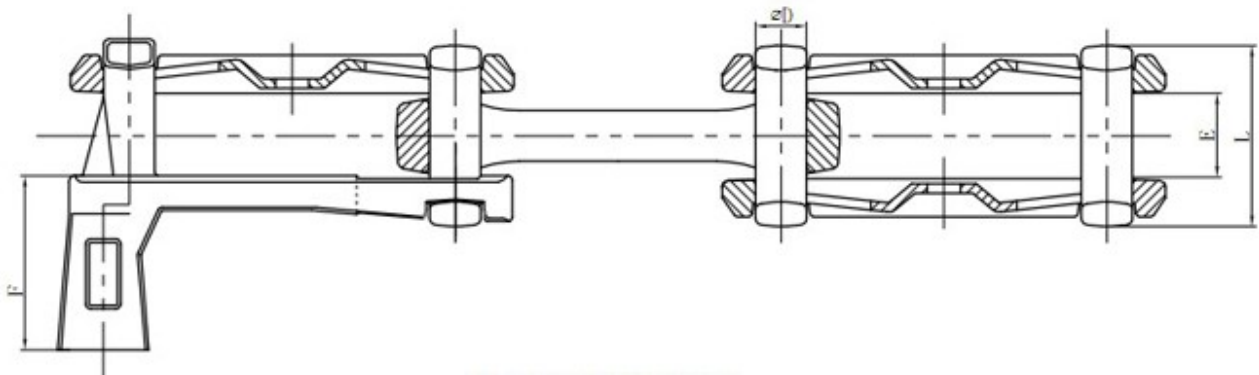
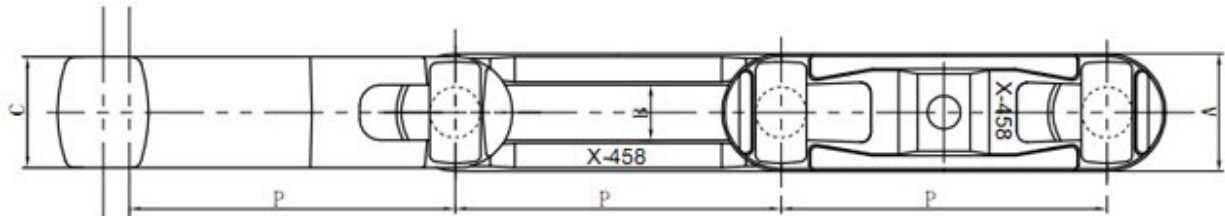
**AMOL**<sup>®</sup>  
BEARINGS AND PULLEYS

Ningbo Amol Machinery Co., Ltd.  
Jiangsu Amol Bearing Co., Ltd.  
Ningbo Amol Intl. Trade Co., Ltd.

寧波安牧機械有限公司  
NINGBO AMOL MACHINERY TRADE CO.,

1789 XING ZHENG STREET  
KANDUN INDUSTRIAL ZONE  
Cixi City, Zhejiang 315300  
China

## X458 CHAIN WITH NARROW PUSHER



Chain Number	Chain Shaft Dimensions (mm)								Ultimate tensile strength (KN)	Chain weight Kg/meter
	P	D	L	A	B	C	E	F		
X-458	102.4	16	57	37	17.4	35	25.5	55	210	5.2





# AMOL®

BEARINGS AND PULLEYS

Ningbo Amol Machinery Co., Ltd.  
 Jiangsu Amol Bearing Co., Ltd.  
 Ningbo Amol Intl. Trade Co., Ltd.

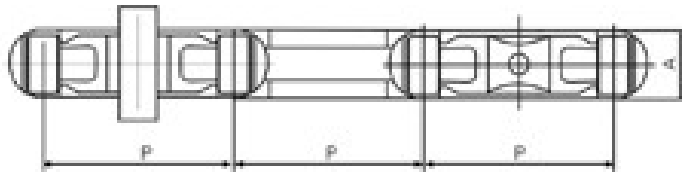
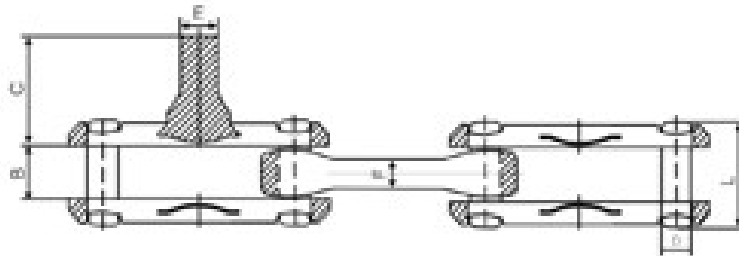
寧波安牧機械有限公司  
 NINGBO AMOL MACHINERY TRADE CO.,

1789 XING ZHENG STREET  
 KANDUN INDUSTRIAL ZONE  
 Cixi City, Zhejiang 315300  
 China

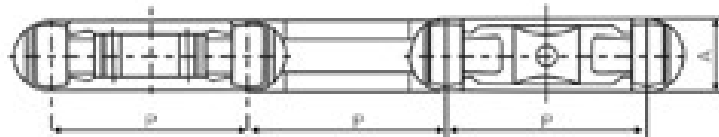
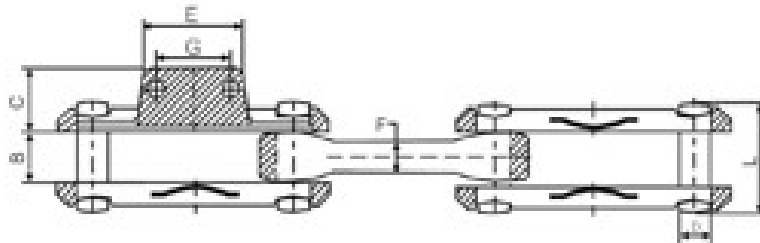
## X458 CHAIN



X458-1



X458-2



Chain Number	Pitch	Pin Dia	Pin Length	Chain Shaft Dimensions						Ultimate tensile strength
	P	D	L	A	B	C	E	F	G	Q
	mm	mm	mm	mm	mm	mm	mm	mm	mm	KN
X458-1	102.4	16	57	36	27	59	20	16	-	210
X458-2	76.6	12.7	46	27	13.5	18.8	20.5	13.2		210



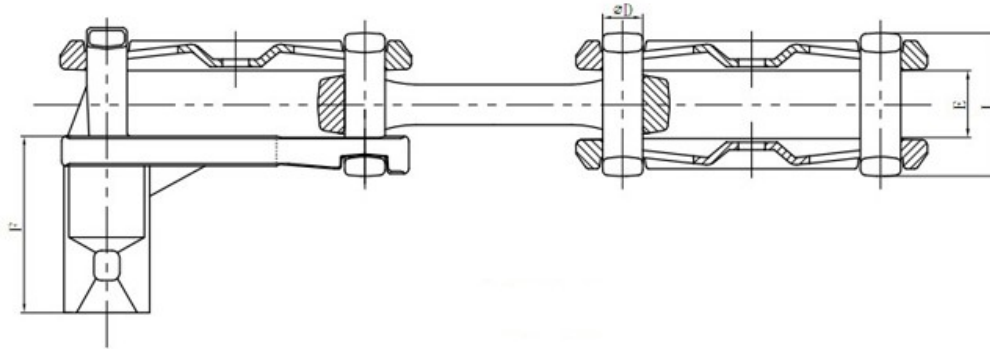
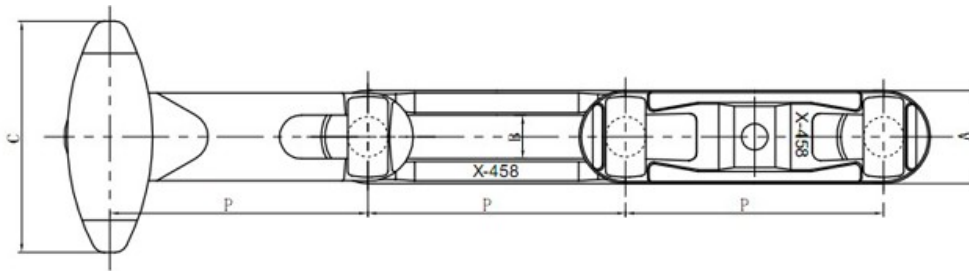
**AMOL**<sup>®</sup>  
BEARINGS AND PULLEYS

Ningbo Amol Machinery Co., Ltd.  
Jiangsu Amol Bearing Co., Ltd.  
Ningbo Amol Intl. Trade Co., Ltd.

寧波安牧機械有限公司  
NINGBO AMOL MACHINERY TRADE CO.,

1789 XING ZHENG STREET  
KANDUN INDUSTRIAL ZONE  
Cixi City, Zhejiang 315300  
China

## X458 CHAIN WITH WIDE PUSHER



Chain Number	Chain Shaft Dimensions (mm)								Ultimate tensile strength (KN)	Chain weight Kg/meter
	P	D	L	A	B	C	E	F		
X-458	102.4	16	57	37	17.4	92	26.5	70.3	210	5.4



# AMOL<sup>®</sup>

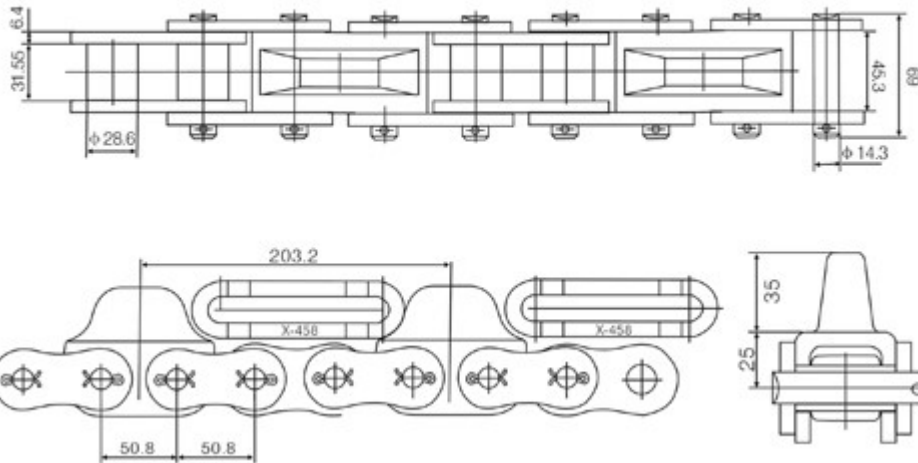
BEARINGS AND PULLEYS

Ningbo Amol Machinery Co., Ltd.  
Jiangsu Amol Bearing Co., Ltd.  
Ningbo Amol Intl. Trade Co., Ltd.

寧波安牧機械有限公司  
NINGBO AMOL MACHINERY TRADE CO.,

1789 XING ZHENG STREET  
KANDUN INDUSTRIAL ZONE  
Cixi City, Zhejiang 315300  
China

## X458 CHAIN





# AMOL®

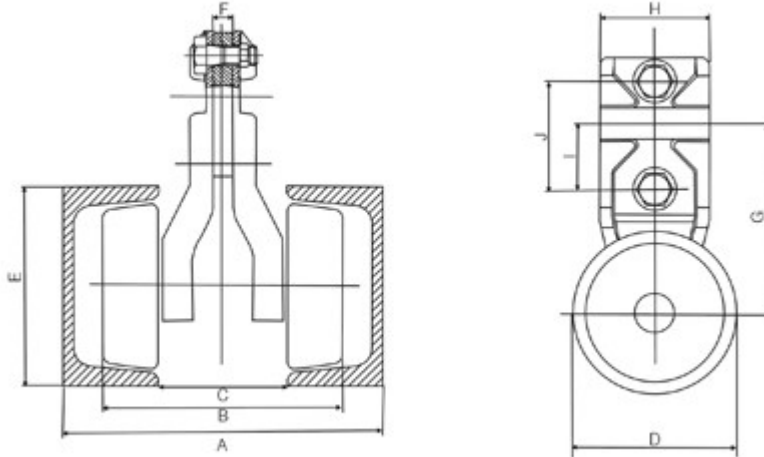
BEARINGS AND PULLEYS

Ningbo Amol Machinery Co., Ltd.  
 Jiangsu Amol Bearing Co., Ltd.  
 Ningbo Amol Intl. Trade Co., Ltd.

寧波安牧機械有限公司  
 NINGBO AMOL MACHINERY TRADE CO.,

1789 XING ZHENG STREET  
 KANDUN INDUSTRIAL ZONE  
 Cixi City, Zhejiang 315300  
 China

## X458 CHAIN



Chain Number	Chain Shaft Dimensions									
	A	B	C	D	E	F	G	H	I	K
	mm	mm	mm	mm	mm	mm	mm	mm	mm	mm
X-458 reverse	160	120	64	82	100	10	95	54	33	54



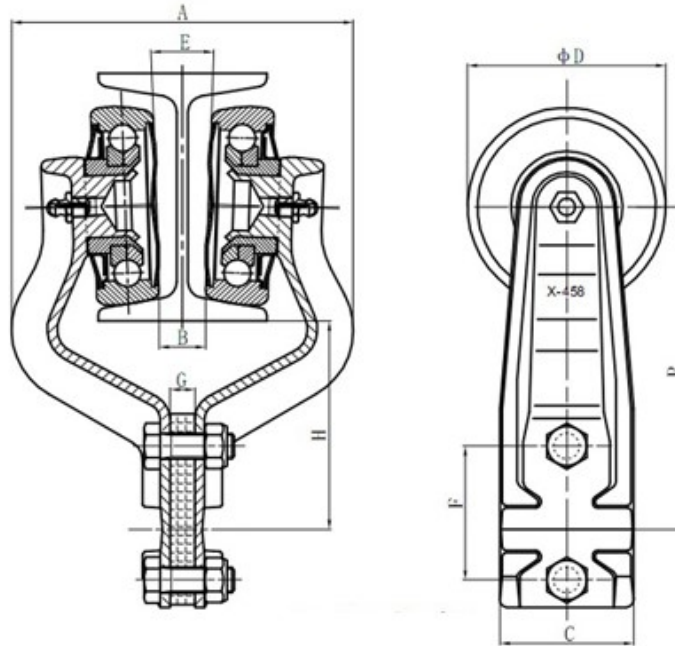
**AMOL**<sup>®</sup>  
BEARINGS AND PULLEYS

Ningbo Amol Machinery Co., Ltd.  
Jiangsu Amol Bearing Co., Ltd.  
Ningbo Amol Intl. Trade Co., Ltd.

寧波安牧機械有限公司  
NINGBO AMOL MACHINERY TRADE CO.,

1789 XING ZHENG STREET  
KANDUN INDUSTRIAL ZONE  
Cixi City, Zhejiang 315300  
China

## X458 CHAIN



Chain Number	Chain Shaft Dimensions (mm)								
	P	H	A	B	C	D	E	F	G
X458 (H80)	126	80	138	18	54	80	4°	54	10
X458 (H81)	127	81	138	18	56	80	4°	54	10
X458 (H84)	130	84	138	18	54	80	4°	54	10
X458 (H104)	150	104	138	18	54	80	4°	54	10



# AMOL<sup>®</sup>

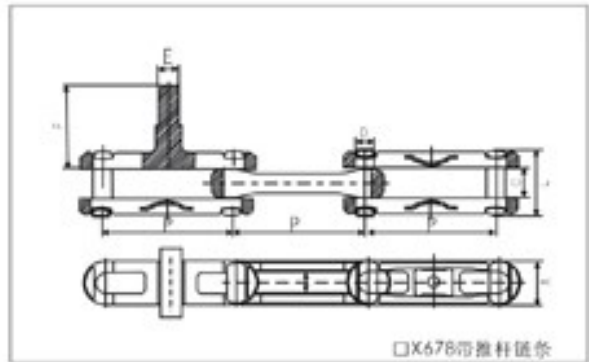
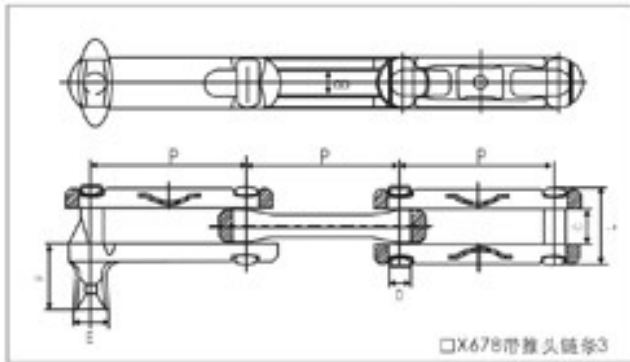
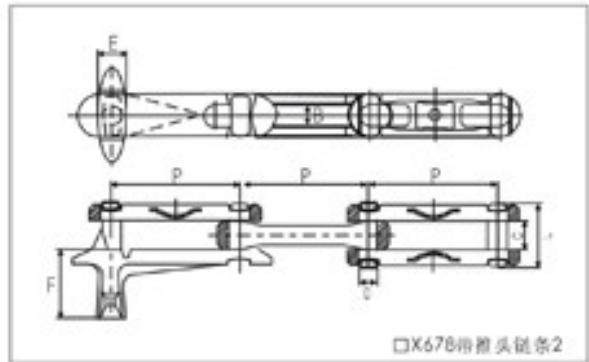
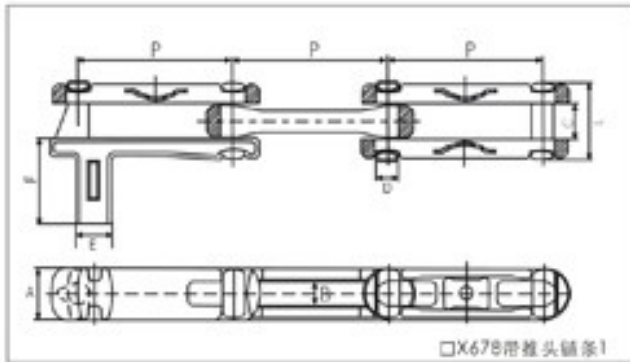
BEARINGS AND PULLEYS

Ningbo Amol Machinery Co., Ltd.  
 Jiangsu Amol Bearing Co., Ltd.  
 Ningbo Amol Intl. Trade Co., Ltd.

寧波安牧機械有限公司  
 NINGBO AMOL MACHINERY TRADE CO.,

1789 XING ZHENG STREET  
 KANDUN INDUSTRIAL ZONE  
 Cixi City, Zhejiang 315300  
 China

## X678 CHAIN



Chain Number	Pitch P	Pin Dia D	Pin Length L	Chain Shaft Dimensions						Ultimate tensile strength Q
				A	B	C	E	F	G	
	mm	mm	mm	mm	mm	mm	mm	mm	mm	KN
X678 with pusher head 1	153.2	22	77	50.8	25	35	35	84		380
X678 with pusher head 2	153.2	22	77	50.8	25	35	36	82		380
X678 with pusher head 3	153.2	22	77	50.8	25	35	36	65	-	380
X678 with pusher bar	153.2	22	77	50.8	25	35	25	97.5		380



**AMOL**<sup>®</sup>  
BEARINGS AND PULLEYS

Ningbo Amol Machinery Co., Ltd.  
Jiangsu Amol Bearing Co., Ltd.  
Ningbo Amol Intl. Trade Co., Ltd.

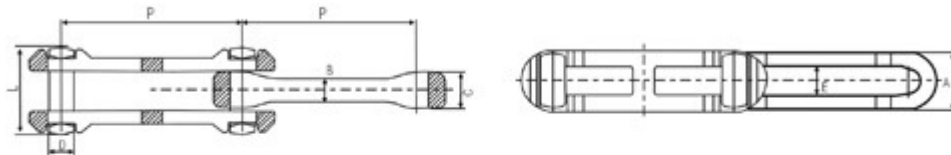
寧波安牧機械有限公司  
NINGBO AMOL MACHINERY TRADE CO.,

1789 XING ZHENG STREET  
KANDUN INDUSTRIAL ZONE  
Cixi City, Zhejiang 315300  
China

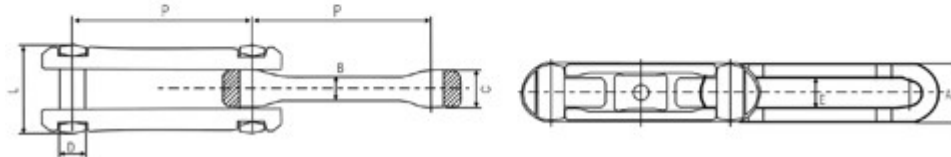
## X678 CHAIN



S678链条



X678链条



Chain Number	Pitch	Pin Dia	Pin Length	Chain Shaft Dimensions				Ultimate tensile strength
	P	D	L	A	B	C	E	Q
	mm	mm	mm	mm	mm	mm	mm	KN
X678	153.2	22	77	50.8	21	32	25	380
S678	153.2	22	77	50.8	21	32	25	380



# AMOL<sup>®</sup>

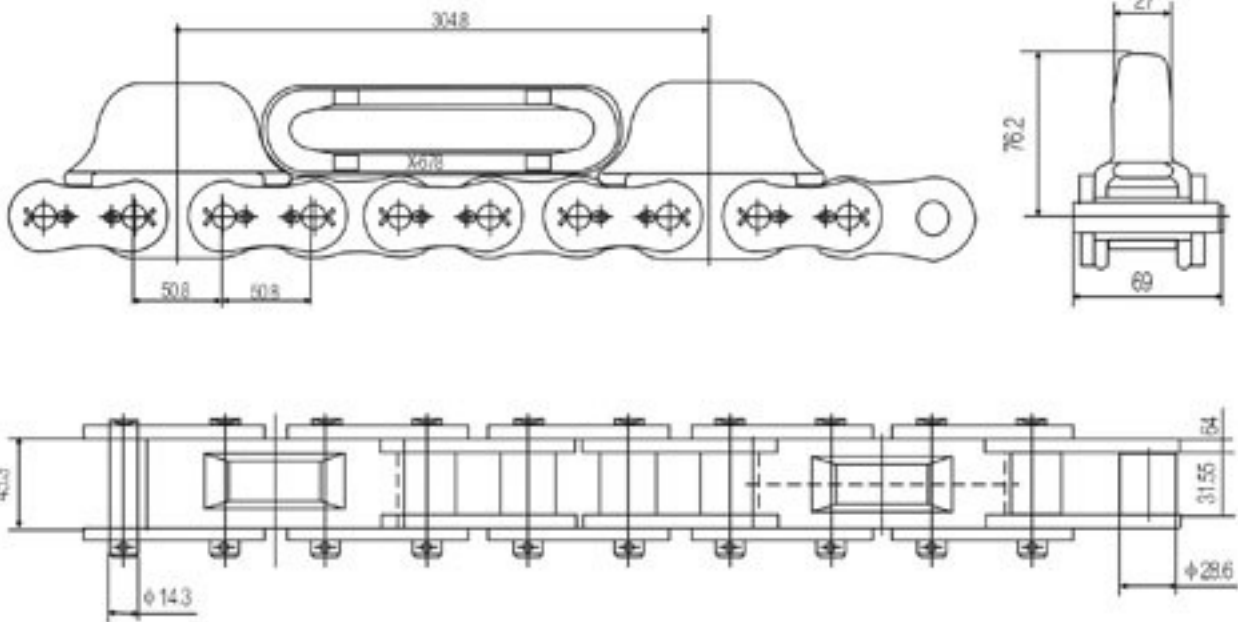
BEARINGS AND PULLEYS

Ningbo Amol Machinery Co., Ltd.  
Jiangsu Amol Bearing Co., Ltd.  
Ningbo Amol Intl. Trade Co., Ltd.

寧波安牧機械有限公司  
NINGBO AMOL MACHINERY TRADE CO.,

1789 XING ZHENG STREET  
KANDUN INDUSTRIAL ZONE  
Cixi City, Zhejiang 315300  
China

## X678 CHAIN







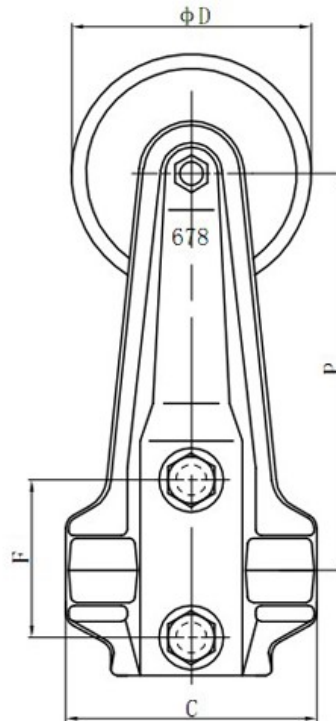
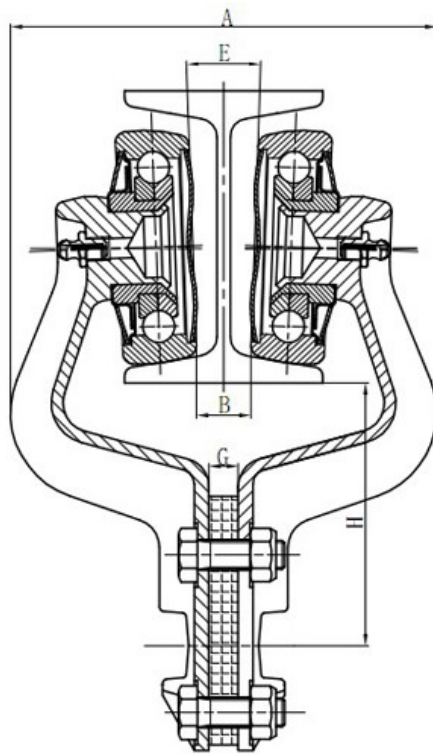
**AMOL**<sup>®</sup>  
BEARINGS AND PULLEYS

Ningbo Amol Machinery Co., Ltd.  
Jiangsu Amol Bearing Co., Ltd.  
Ningbo Amol Intl. Trade Co., Ltd.

寧波安牧機械有限公司  
NINGBO AMOL MACHINERY TRADE CO.,

1789 XING ZHENG STREET  
KANDUN INDUSTRIAL ZONE  
Cixi City, Zhejiang 315300  
China

## X678 CHAIN



Chain Number	Chain Shaft Dimensions (mm)								
	P	H	A	B	C	D	E	F	G
X678 (H90)	136	90	146	18	86	82	4°	54	10
X678 (H88.5)	134.5	88.5	146	18	86	82	4°	54	10



# AMOL<sup>®</sup>

BEARINGS AND PULLEYS

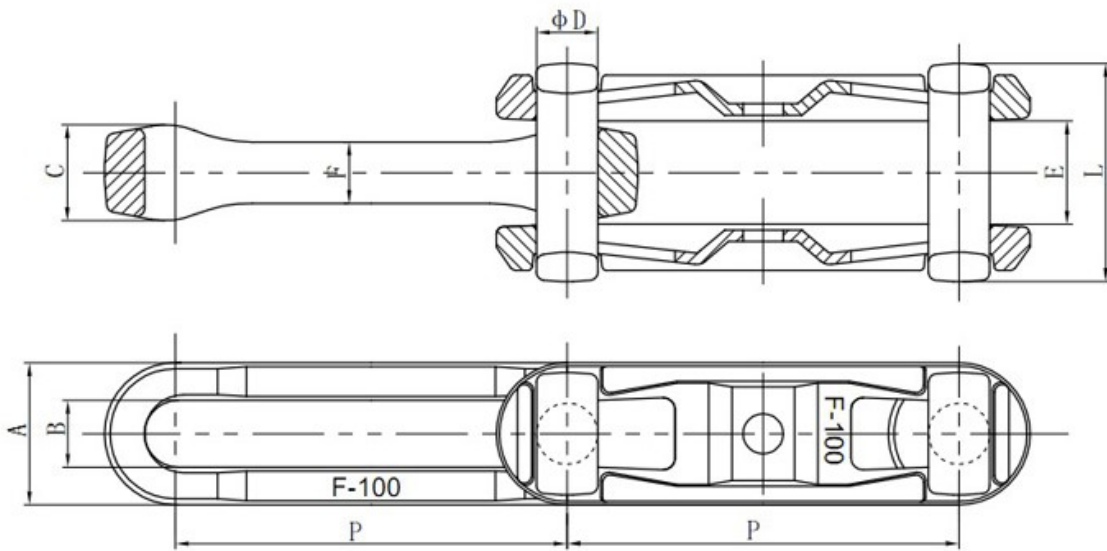
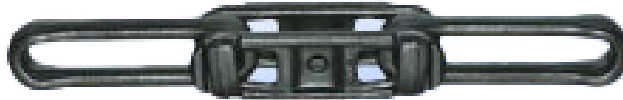
Ningbo Amol Machinery Co., Ltd.  
 Jiangsu Amol Bearing Co., Ltd.  
 Ningbo Amol Intl. Trade Co., Ltd.

## 寧波安牧機械有限公司

### NINGBO AMOL MACHINERY TRADE CO.,

1789 XING ZHENG STREET  
 KANDUN INDUSTRIAL ZONE  
 Cixi City, Zhejiang 315300  
 China

#### F100 CHAIN



Chain Number	Chain Shaft Dimensions (mm)								Ultimate tensile strength (KN)	Chain weight Kg/meter
	P	D	L	A	B	C	E	F		
F100	100	16	57	37	17.4	25	26.5	16	210	4.8



**AMOL**<sup>®</sup>

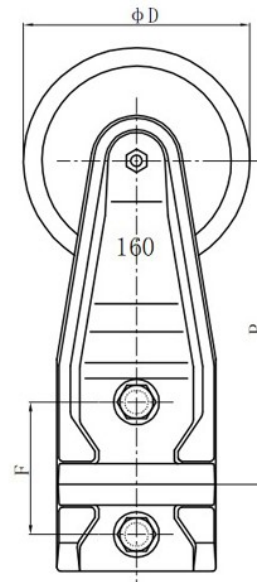
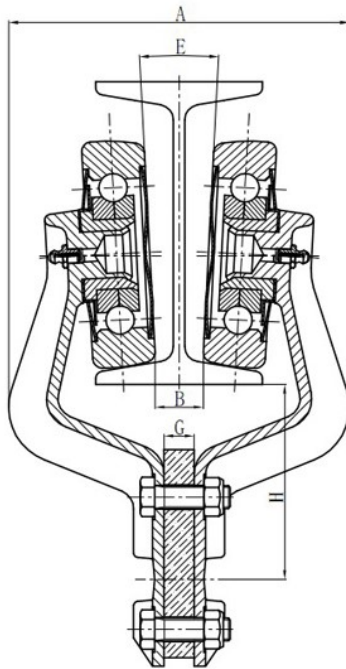
BEARINGS AND PULLEYS

Ningbo Amol Machinery Co., Ltd.  
 Jiangsu Amol Bearing Co., Ltd.  
 Ningbo Amol Intl. Trade Co., Ltd.

寧波安牧機械有限公司  
 NINGBO AMOL MACHINERY TRADE CO.,

1789 XING ZHENG STREET  
 KANDUN INDUSTRIAL ZONE  
 Cixi City, Zhejiang 315300  
 China

X160 CHAIN



Chain Number	Chain Shaft Dimensions (mm)								
	P	H	A	B	C	D	E	F	G
X160	171	103	180	26	84	120	6°	70	16



# AMOL®

BEARINGS AND PULLEYS

Ningbo Amol Machinery Co., Ltd.  
 Jiangsu Amol Bearing Co., Ltd.  
 Ningbo Amol Intl. Trade Co., Ltd.

## 寧波安牧機械有限公司

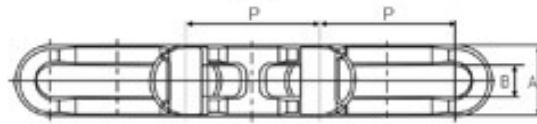
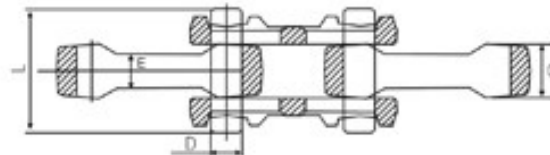
### NINGBO AMOL MACHINERY TRADE CO.,

1789 XING ZHENG STREET  
 KANDUN INDUSTRIAL ZONE  
 Cixi City, Zhejiang 315300  
 China

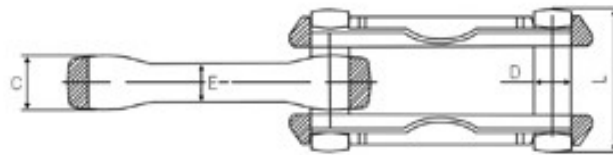
### 80 CHAIN



80H链条



80链条



Chain Number	Chain Shaft Dimensions (mm)							Ultimate tensile strength (KN)	Chain weight Kg/meter
	P	D	L	A	B	C	E	KN	
80H	80	18.4	73	42	19	32	20	250	
80	80	13	48	29	14.5	20	12	110	



# AMOL®

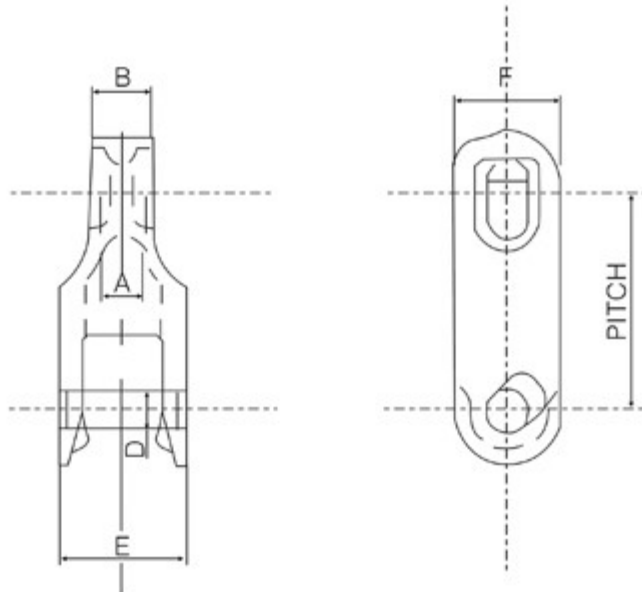
BEARINGS AND PULLEYS

Ningbo Amol Machinery Co., Ltd.  
 Jiangsu Amol Bearing Co., Ltd.  
 Ningbo Amol Intl. Trade Co., Ltd.

寧波安牧機械有限公司  
 NINGBO AMOL MACHINERY TRADE CO.,

1789 XING ZHENG STREET  
 KANDUN INDUSTRIAL ZONE  
 Cixi City, Zhejiang 315300  
 China

## MC33 CHAIN



Chain No.	Average Pitch		Max load lbs	Avg. Ut.Strength lbs	Nos of pitch 10 feet	Average weight Kg/ft	Dimensions				
	inch	mm					A	B	D	E	F
Mc33	2.488	63.1952	1260	11000	48	1.55	9	17.5	12	38.1	32



# AMOL®

BEARINGS AND PULLEYS

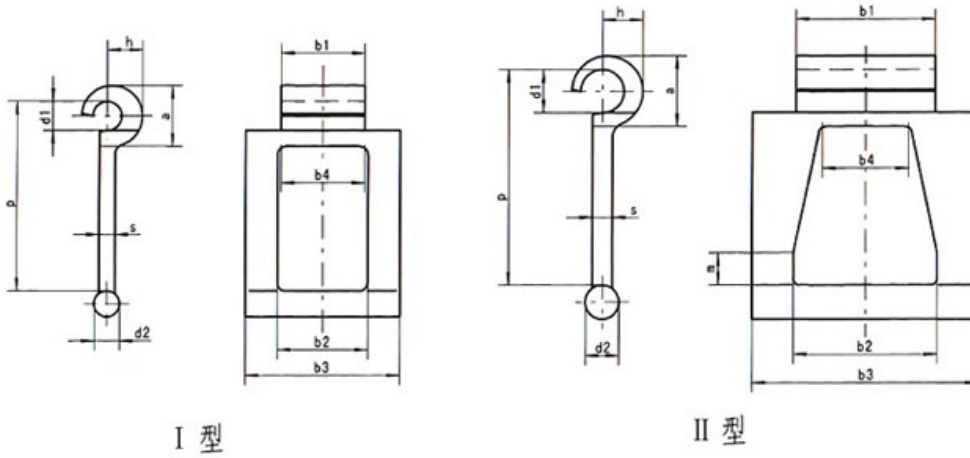
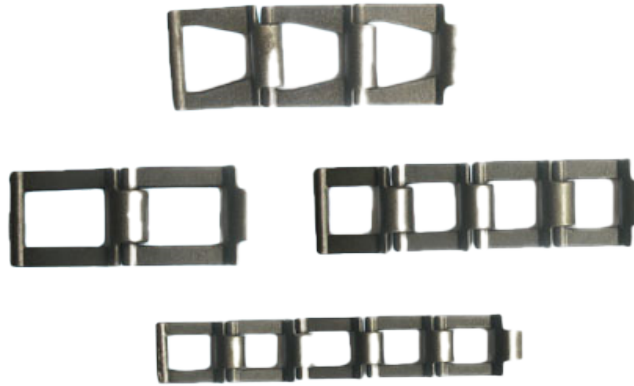
Ningbo Amol Machinery Co., Ltd.  
 Jiangsu Amol Bearing Co., Ltd.  
 Ningbo Amol Intl. Trade Co., Ltd.

## 寧波安牧機械有限公司

### NINGBO AMOL MACHINERY TRADE CO.,

1789 XING ZHENG STREET  
 KANDUN INDUSTRIAL ZONE  
 Cixi City, Zhejiang 315300  
 China

#### SQUARE CHAIN



CHAIN	PITCH	a	b1	b2	b3	b4	d1	d2	m	h	s	Breaking load N	Unit pitch weight gram
55	41.7	19	18.5	19.5	36.5	18	9.5	7.4	-	10.8	4.5	25000	56
57	59	20.5	25	27	48	24	9.5	7.4	-	10.8	4.5	34000	91
62	41.7	19	22	23.5	42	20.5	9.5	7.4	-	10.8	4.5	30000	68
74	60.6	27	33	35	65	28	13.5	10.5	-	15.7	6.4	65000	210
78	67.1	22	43	44.5	70	28	13.5	10.5	10	12.5	6.2	46000	220



# AMOL®

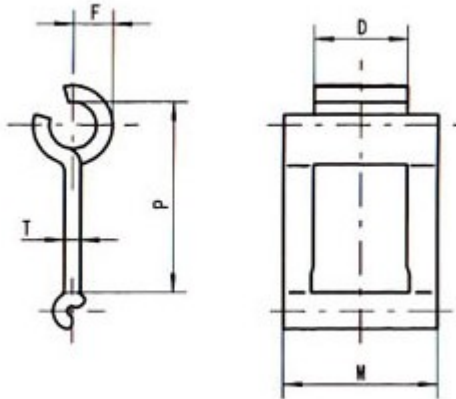
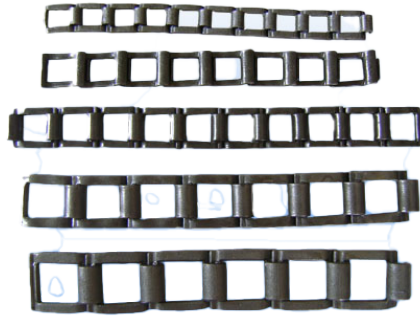
BEARINGS AND PULLEYS

Ningbo Amol Machinery Co., Ltd.  
 Jiangsu Amol Bearing Co., Ltd.  
 Ningbo Amol Intl. Trade Co., Ltd.

寧波安牧機械有限公司  
 NINGBO AMOL MACHINERY TRADE CO.,

1789 XING ZHENG STREET  
 KANDUN INDUSTRIAL ZONE  
 Cixi City, Zhejiang 315300  
 China

## SQUARE CHAIN



CHAIN	P	D	F	M	T	Breaking load N	Unit pitch weight KG/M	PITCH NO. / 10 FT
25	22.96	10.72	4.572	17.8	1.854	3.382	0.30	133
32	29.39	15.09	5.842	23.8	2.286	5.874	0.48	104
32w	29.39	15.09	5.893	27	2.413	5.874	0.58	104
51	28.78	17.86	5.893	27.8	2.54	7.496	0.60	106
52	38.3	21.44	7.696	35.7	2.048	9.612	0.983	80
55	41.4	20.22	8.128	32.5	3.175	9.968	0.924	74
62	42.01	24.99	8.51	39.7	3.76	15.56	1.35	73



**AMOL**®

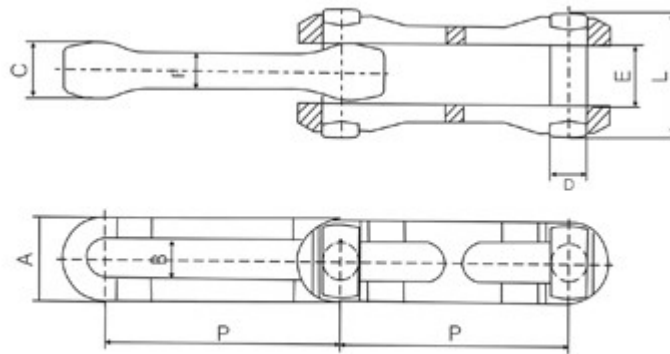
BEARINGS AND PULLEYS

Ningbo Amol Machinery Co., Ltd.  
 Jiangsu Amol Bearing Co., Ltd.  
 Ningbo Amol Intl. Trade Co., Ltd.

寧波安牧機械有限公司  
 NINGBO AMOL MACHINERY TRADE CO.,

1789 XING ZHENG STREET  
 KANDUN INDUSTRIAL ZONE  
 Cixi City, Zhejiang 315300  
 China

C100 CHAIN



Chain Number	Pitch	Pin Dia	Pin Length	Chain Shaft Dimensions					Ultimate tensile strength
	P	D	L	A	B	C	E	F	Q
	mm	mm	mm	mm	mm	mm	mm	mm	KN
CC100	100	16	57	37	17.4	25	27	16	210





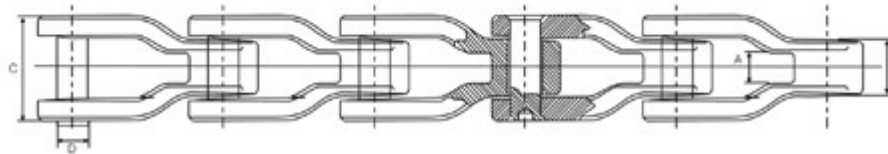
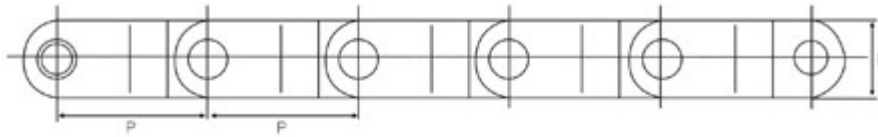
**AMOL**<sup>®</sup>  
BEARINGS AND PULLEYS

Ningbo Amol Machinery Co., Ltd.  
Jiangsu Amol Bearing Co., Ltd.  
Ningbo Amol Intl. Trade Co., Ltd.

寧波安牧機械有限公司  
NINGBO AMOL MACHINERY TRADE CO.,

1789 XING ZHENG STREET  
KANDUN INDUSTRIAL ZONE  
Cixi City, Zhejiang 315300  
China

C600 CHAIN



Chain No.	Average Pitch		Max load lbs	Avg. Ut.Strength lbs	Nos of pitch 10 feet	Average weight Kg/ft	Dimensions				
	inch	mm					A	B	D	E	F
CC600	2.52	64	1110	9000	48	1.54	13	23.5	43	11	29



# AMOL®

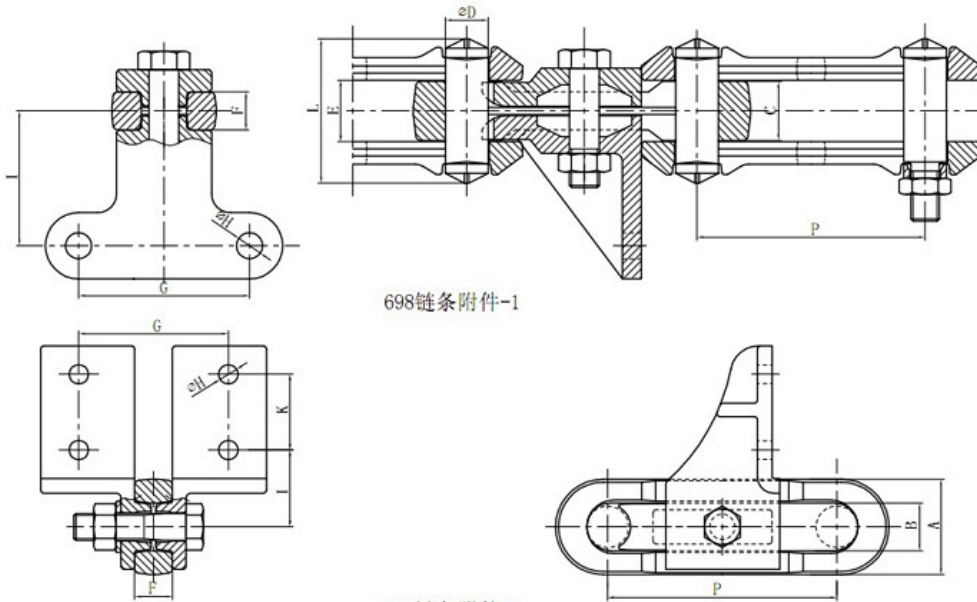
BEARINGS AND PULLEYS

寧波安牧機械有限公司  
NINGBO AMOL MACHINERY TRADE CO.,

Ningbo Amol Machinery Co., Ltd.  
Jiangsu Amol Bearing Co., Ltd.  
Ningbo Amol Intl. Trade Co., Ltd.

1789 XING ZHENG STREET  
KANDUN INDUSTRIAL ZONE  
Cixi City, Zhejiang 315300  
China

698 CHAIN



698链条附件-1

698链条附件-2

CHAIN NO.	CHAIN SHAFT DIMENSIONS mm												ULTIMATE TENSILE STRENGTH	WEIGHT KG/M
	P	D	L	A	B	C	E	F	G	H	I	K	KN	KGS/M
698 CHAIN-1	153.2	28	95.25	64.5	32	39	42.25	25.4	114.3	17.5	90.5	/	560	16.9
698 CHAIN-2	153.2	28	95.25	64.5	32	39	42.25	25.4	100	13	51.55	50.8	560	16.9



# AMOL®

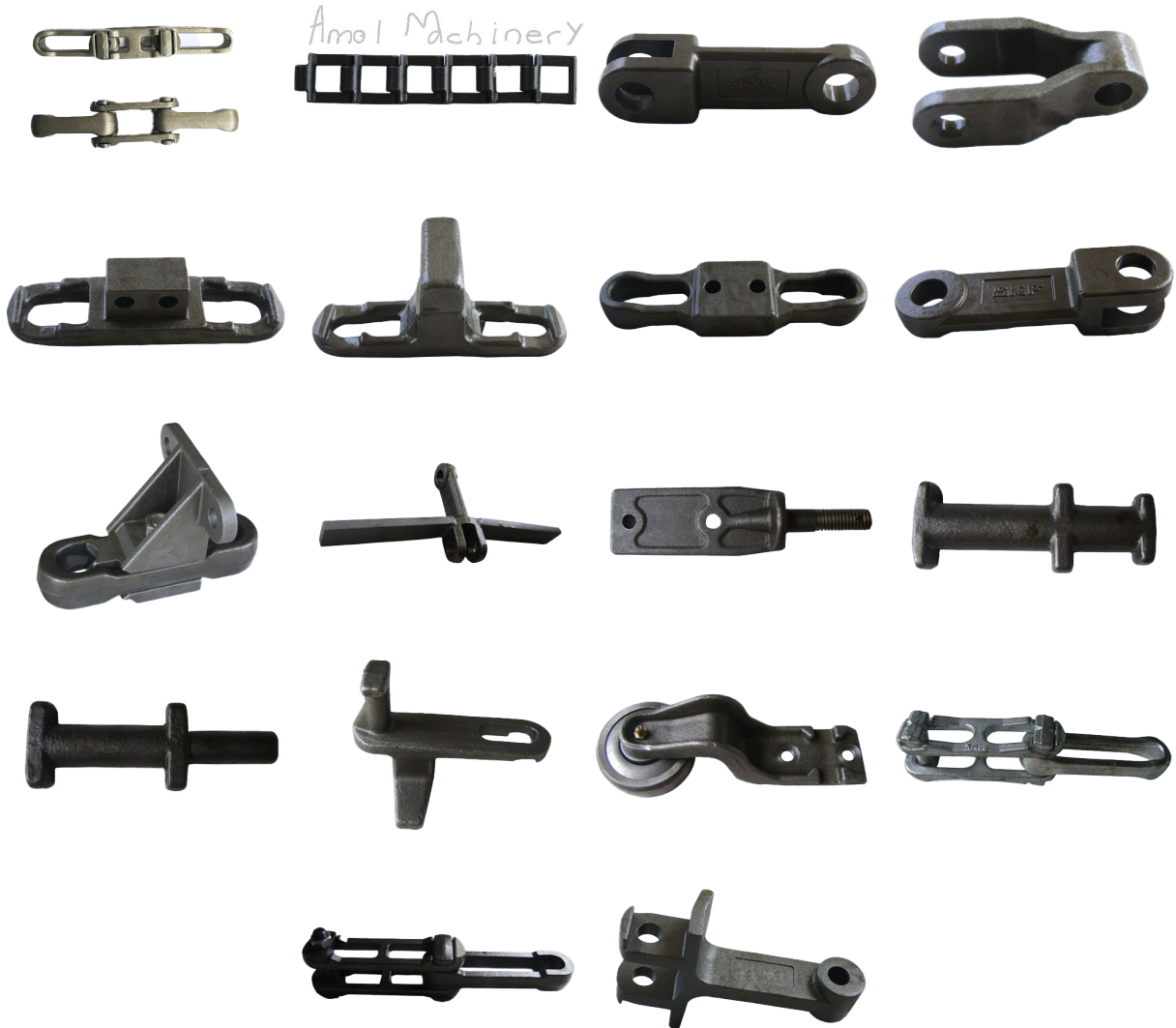
BEARINGS AND PULLEYS

Ningbo Amol Machinery Co., Ltd.  
Jiangsu Amol Bearing Co., Ltd.  
Ningbo Amol Intl. Trade Co., Ltd.

寧波安牧機械有限公司  
NINGBO AMOL MACHINERY TRADE CO.,

1789 XING ZHENG STREET  
KANDUN INDUSTRIAL ZONE  
Cixi City, Zhejiang 315300  
China

## PHOTOS OF OUR CHAINS





# AMOL®

BEARINGS AND PULLEYS

Ningbo Amol Machinery Co., Ltd.  
Jiangsu Amol Bearing Co., Ltd.  
Ningbo Amol Intl. Trade Co., Ltd.

寧波安牧機械有限公司  
NINGBO AMOL MACHINERY TRADE CO.,

1789 XING ZHENG STREET  
KANDUN INDUSTRIAL ZONE  
Cixi City, Zhejiang 315300  
China





# AMOL<sup>®</sup>

BEARINGS AND PULLEYS

Ningbo Amol Machinery Co., Ltd.  
Jiangsu Amol Bearing Co., Ltd.  
Ningbo Amol Intl. Trade Co., Ltd.

寧波安牧機械有限公司  
NINGBO AMOL MACHINERY TRADE CO.,

1789 XING ZHENG STREET  
KANDUN INDUSTRIAL ZONE  
Cixi City, Zhejiang 315300  
China





# AMOL®

BEARINGS AND PULLEYS

Ningbo Amol Machinery Co., Ltd.  
Jiangsu Amol Bearing Co., Ltd.  
Ningbo Amol Intl. Trade Co., Ltd.

寧波安牧機械有限公司  
NINGBO AMOL MACHINERY TRADE CO.,

1789 XING ZHENG STREET  
KANDUN INDUSTRIAL ZONE  
Cixi City, Zhejiang 315300  
China





**AMOL**®

BEARINGS AND PULLEYS

Ningbo Amol Machinery Co., Ltd.  
Jiangsu Amol Bearing Co., Ltd.  
Ningbo Amol Intl. Trade Co., Ltd.

寧波安牧機械有限公司  
NINGBO AMOL MACHINERY TRADE CO.,

1789 XING ZHENG STREET  
KANDUN INDUSTRIAL ZONE  
Cixi City, Zhejiang 315300  
China





# AMOL®

BEARINGS AND PULLEYS

Ningbo Amol Machinery Co., Ltd.  
Jiangsu Amol Bearing Co., Ltd.  
Ningbo Amol Intl. Trade Co., Ltd.

寧波安牧機械有限公司  
NINGBO AMOL MACHINERY TRADE CO.,

1789 XING ZHENG STREET  
KANDUN INDUSTRIAL ZONE  
Cixi City, Zhejiang 315300  
China







**AMOL**<sup>®</sup>

BEARINGS AND PULLEYS

Ningbo Amol Machinery Co., Ltd.  
Jiangsu Amol Bearing Co., Ltd.  
Ningbo Amol Intl. Trade Co., Ltd.

寧波安牧機械有限公司  
NINGBO AMOL MACHINERY TRADE CO.,

1789 XING ZHENG STREET  
KANDUN INDUSTRIAL ZONE  
Cixi City, Zhejiang 315300  
China



[www.amolbearing.com](http://www.amolbearing.com)

TEL: +86-574-63106248 FAX: 63104480 EMAIL: [info@amolbearing.com](mailto:info@amolbearing.com)



**AMOL**®

BEARINGS AND PULLEYS

Ningbo Amol Machinery Co., Ltd.  
Jiangsu Amol Bearing Co., Ltd.  
Ningbo Amol Intl. Trade Co., Ltd.

寧波安牧機械有限公司  
NINGBO AMOL MACHINERY TRADE CO.,

1789 XING ZHENG STREET  
KANDUN INDUSTRIAL ZONE  
Cixi City, Zhejiang 315300  
China





**AMOL**®

BEARINGS AND PULLEYS

Ningbo Amol Machinery Co., Ltd.  
Jiangsu Amol Bearing Co., Ltd.  
Ningbo Amol Intl. Trade Co., Ltd.

寧波安牧機械有限公司  
NINGBO AMOL MACHINERY TRADE CO.,

1789 XING ZHENG STREET  
KANDUN INDUSTRIAL ZONE  
Cixi City, Zhejiang 315300  
China

