

Ningbo Amol Machinery Co., Ltd.
Jiangsu Amol Bearing Co., Ltd.
Ningbo Amol Intl. Trade Co., Ltd.



Grease used in our bearings:

Product Name	Shell Alvania RL #2	Shell Alvania RL #3	Mobil Polyrex EM	Exxon Unirex N 2
Color	Amber	Amber	Blue	Green
Thickener Type	Lithium	Lithium	Polyurea	Lithium-complex
Oil Type	Mineral	Mineral	Mineral	Mineral
NLGI number	2	3	2	2
Base oil viscosity	98	98	115	115
Typical operating temperature	-20 / 250 °F	-10 / 250 °F	-10 / 320 °F	-20 / 300 °F
Dropping point	385°F	385°F	550°F	437°F

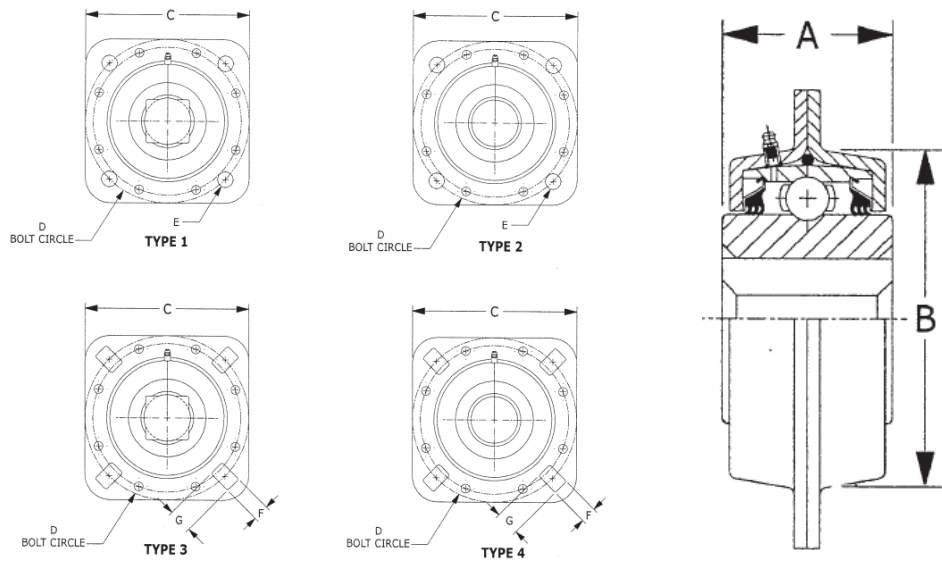
Clearance of our bearings:

Clearance values in micrometers

Basic bearing size	C2		C0 (Normal)		C3		C4		C5	
	Min.	Max.	Min.	Max.	Min.	Max.	Min.	Max.	Min.	Max.
202	0	9	3	18	11	25	18	33	25	45
203	0	9	3	18	11	25	18	33	25	45
204	0	10	5	20	13	28	20	36	28	48
205	1	11	5	20	13	28	23	41	30	53
206	1	11	5	20	13	28	23	41	30	53
207	1	11	6	20	15	33	28	46	40	64
208	1	11	6	20	15	33	28	46	40	64
209	1	11	6	23	18	36	30	51	45	73
210	1	11	6	23	18	36	30	51	45	73
211	1	15	8	28	23	43	38	61	55	90
212	1	15	8	28	23	43	38	61	55	90
213	1	15	8	28	23	43	38	61	55	90
214	1	15	10	30	25	51	46	71	65	105
215	1	15	10	30	25	51	46	71	65	105
216	1	15	10	30	25	51	46	71	65	105

Flanged Disc Units:

Flange Disc series incorporates a bearing with two, one piece triple lip shroud seals and two O rings. It is encased in a two heavy gauge stamped steel housing. It is relubricable.



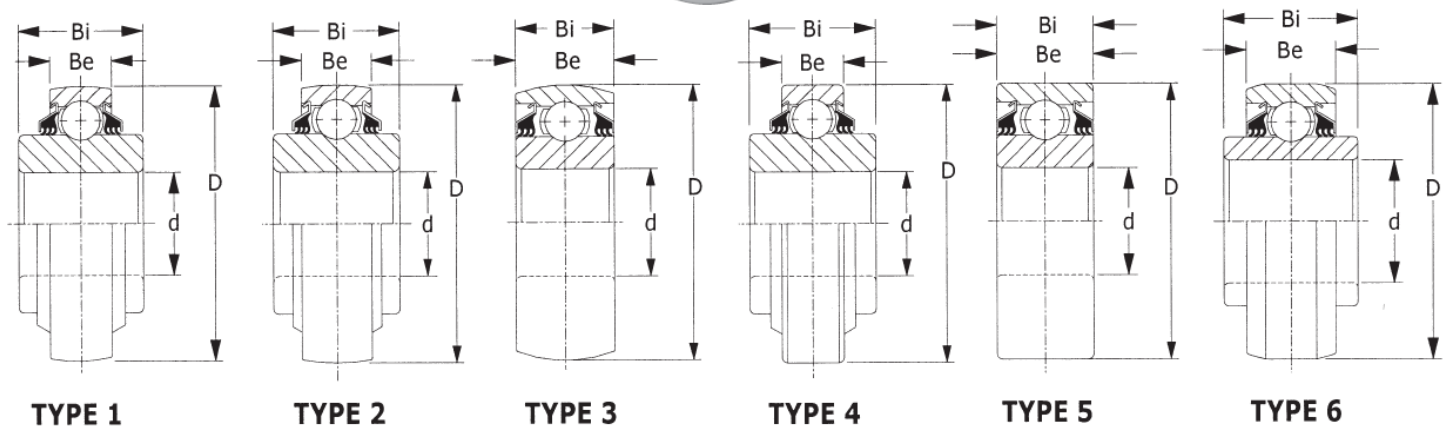
WBW NUMBER	TYPE	SHAFT DIAMETER	A	B Min. Frame Opening	C	D	E	F	G
ST491A	2	1 3/4 RD	1.687	4.000	5.000	5.000	0.531		
ST491B	4	1 1/2 RD	1.687	4.000	5.000	5.000		0.531	0.687
FD209-1 1/8SQ	3	1 1/8 SQ	1.687	4.000	5.000	5.000		0.531	0.687
FD209-1 1/4SQ	3	1 1/4 SQ	1.687	4.000	5.000	5.000		0.531	0.687
FD211-1 1/2SQ	3	1 1/2 SQ	2.000	4.500	5.500	5.500		0.531	0.687
FD211-1 3/4RD	2	1 3/4 RD	2.187	4.500	5.500	5.500	0.531		
FD211-1 3/4HX		1 3/4 HX	2.188	4.500	5.500	5.500	0.531		
FD211-1 15/16RD	2	1 15/16 RD	2.187	4.500	5.500	5.500	0.531		
FD211-1 15/16RDC*		1 15/16 RD	2.125	4.500	5.500	5.500	0.531		
FD211-2 3/16RD	2	2 3/16 RD	2.187	4.500	5.500	5.500	0.531		



Disc Harrow Bearings

Round Bore Non-Relubricable

Triple lip seals are used to protect bearings from corrosive environments. The seal is one piece shroud packed in molded contact seal. Seals are for life.



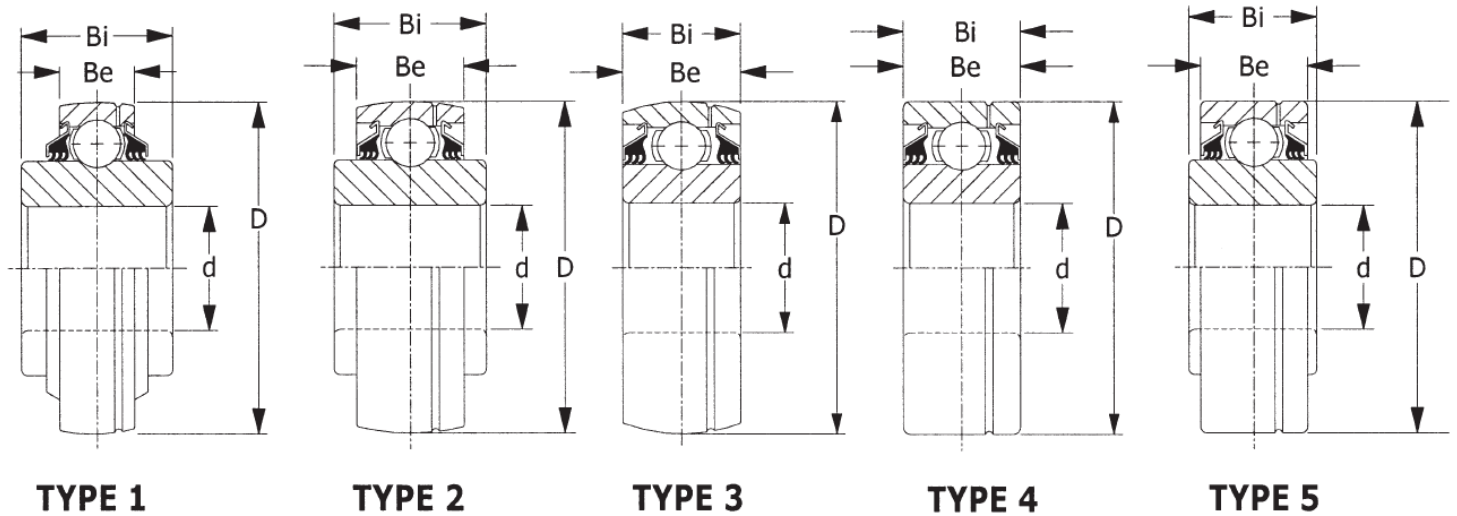
Ningbo Amol Machinery Co., Ltd.
 Jiangsu Amol Bearing Co., Ltd.
 Ningbo Amol Intl. Trade Co., Ltd.

WBW NUMBER	TYPE	d		D		Be		Bi		Load Ratings		Wt. Lbs.
		nominal	TOL.+0/ to minus shown	nominal	TOL.+0/ to minus shown	nominal	TOL.+0/ to minus shown	nominal	TOL.+0/ to minus shown	Dynamic	Static	
W208PPB2	1	1.5005	.0005	3.1496	.0005	.7090	.0050	1.6880	.0050	7,340	3,650	1.59
		38.113	.013	80.000	.013	18.000	.127	42.875	.127			
W208PPB7	2	1.1880	.0005	3.1496	.0005	.7090	.0050	1.1880	.0050	7,340	3,650	1.41
		30.175	.013	80.000	.013	18.000	.127	30.175	.127			
W208PP10	4	1.5005	.0005	3.1496	.0005	.8270	.0050	1.6880	.0050	7,340	3,650	1.50
		38.113	.013	80.000	.013	21.000	.127	42.875	.127			
W208PPB10	1	1.5005	.0005	3.1496	.0005	.8270	.0050	1.6880	.0050	7,340	3,650	1.59
		38.113	.013	80.000	.013	21.000	.127	42.875	.127			
W208PPB23	2	1.5005	.0005	3.1496	.0005	1.1880	.0050	1.6880	.0050	7,340	3,650	1.50
		38.113	.013	80.000	.013	30.175	.127	42.875	.127			
W209PPB2	3	1.7717	.0005	3.3460	.0006	1.1880	.0050	1.1880	.0050	7,350	4,150	1.45
		45.000	.013	85.000	.015	30.175	.127	30.175	.127			
W209PPB4	3	1.5350	.0100	3.3460	.0060	1.1880	.0050	1.1880	.0050	7,350	4,150	1.65
		39.000	.254	85.000	.015	30.175	.127	30.175	.127			
W210PP2	5	1.9380	.0005	3.5433	.0006	1.1880	.0050	1.1880	.0050	7,880	4,650	1.69
		49.225	.013	90.000	.015	30.175	.127	30.175	.127			
W210PPB2	3	1.9380	.0005	3.5430	.0006	1.1880	.0050	1.1880	.0050	7,880	4,650	1.56
		49.225	.013	90.000	.015	30.175	.127	30.175	.127			
W210PPB5	3	1.7850	.0100	3.5430	.0006	1.1880	.0050	1.1880	.0050	7,880	4,650	1.75
		45.339	.254	90.000	.015	30.175	.127	30.175	.127			
W210PP8	5	1.5300	.0100	3.5433	.0006	1.1880	.0050	1.1880	.0050	7,880	4,650	1.97
		38.862	.254	90.000	.015	30.175	.127	30.175	.127			
W210PPB9	2	1.9448	.0070	3.5433	.0006	.9055	.0050	1.4382	.0050	7,880	4,650	1.91
		49.400	.178	90.000	.015	23.000	.127	36.530	.127			
W211PP2	5	2.1880	.0006	3.9370	.0006	1.3120	.0060	1.3120	.0060	9,740	5,850	2.33
		55.575	.015	100.000	.015	33.325	.152	33.325	.152			
W211PPB2	3	2.1880	.0006	3.9370	.0006	1.3120	.0060	1.3120	.0060	9,740	5,850	3.00
		55.575	.015	100.000	.015	33.325	.152	33.325	.152			
W211PPB4	6	2.1880	.0006	3.9370	.0006	1.3120	.0060	2.1870	.0060	9,740	5,850	3.63
		55.575	.015	100.000	.015	33.325	.152	55.500	.152			
W214PP2	5	2.7559	.0006	4.9213	.0008	1.5620	.0060	1.5620	.0060	14,000	8,800	4.19
		70.000	.015	125.000	.020	39.675	.152	39.675	.152			
W214PPB2	3	2.7559	.0006	4.9213	.0008	1.5620	.0060	1.5620	.0060	14,000	8,800	3.96
		70.000	.015	125.000	.020	39.675	.152	39.675	.152			
W214PPB9	3	2.7660	.0010	4.9213	.0008	1.1020	.0060	1.7500	.0060	14,000	8,800	3.96
		70.256	.025	125.000	.020	28.000	.152	44.450	.152			

Disc Harrow Bearings

Round Bore Relubricable

Triple lip seals are used to protect bearings from corrosive environments. The seal is one piece shroud packed in molded contact seal. A re-grease hole is drilled on the groove.



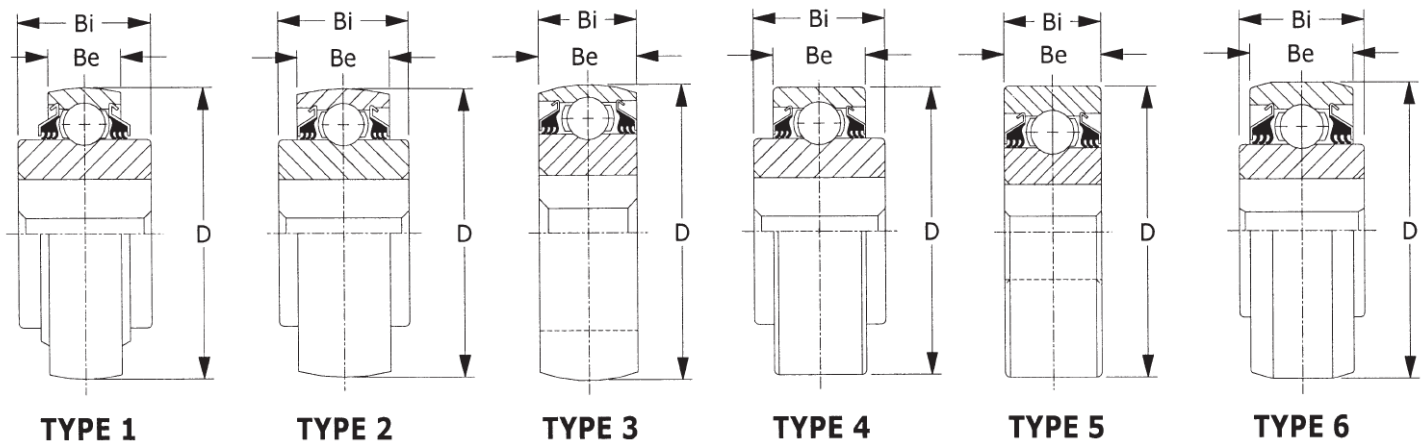
Ningbo Amol Machinery Co., Ltd.
 Jiangsu Amol Bearing Co., Ltd.
 Ningbo Amol Intl. Trade Co., Ltd.

WBW NUMBER	TYPE	d		D		Be		Bi		Load Ratings		Wt. Lbs.
		nominal	TOL.+0/ to minus shown	nominal	TOL.+0/ to minus shown	nominal	TOL.+0/ to minus shown	nominal	TOL.+0/ to minus shown	Dynamic	Static	
GW209PPB2	3	1.7717	.0005	3.3465	.0006	1.1880	.0050	1.1880	.0050	7,350	4,150	1.44
		45.000	.013	85.000	.015	30.175	.127	30.175	.127			
GW209PPB4	3	1.5350	.0100	3.3465	.0006	1.1880	.0050	1.1880	.0050	7,350	4,150	1.65
		39.000	.254	85.000	.015	30.175	.127	30.175	.127			
GW209PPB11	1	1.7810	.0100	3.3465	.0006	.8660	.0050	1.4380	.0050	7,350	4,150	1.37
		45.237	.254	85.000	.015	22.000	.127	36.525	.127			
GW210PPB2	3	1.9380	.0005	3.5433	.0006	1.1880	.0050	1.1880	.0050	7,880	4,650	1.50
		49.225	.013	90.000	.015	30.175	.127	30.175	.127			
GW210PPB5	3	1.7850	.0100	3.5433	.0006	1.1880	.0050	1.1880	.0050	7,880	4,650	1.8
		45.339	.254	90.000	.015	30.175	.127	30.175	.127			
GW210PP9	5	1.9450	.0070	3.5433	.0006	.9060	.0050	1.4380	.0050	7,880	4,650	1.75
		49.403	.178	90.000	.015	23.000	.127	36.525	.127			
GW211PP2	4	2.1880	.0006	3.9370	.0006	1.3120	.0060	1.3120	.0060	9,740	5,850	3.00
		55.575	.015	100.000	.015	33.325	.152	33.325	.152			
GW211PPB2	3	2.1880	.0006	3.9370	.0006	1.3120	.0060	1.3120	.0060	9,740	5,850	2.62
		55.575	.015	100.000	.015	33.325	.152	33.325	.152			
GW211PPB8	1	2.1880	.0006	3.9370	.0006	.9840	.0060	1.3120	.0060	9,740	5,850	1.85
		55.575	.015	100.000	.015	25.000	.152	33.325	.152			
GW211PPB9	1	2.1950	.0070	3.9370	.0006	.9840	.0060	1.5620	.0060	9,740	5,850	2.02
		55.753	.178	100.000	.015	25.000	.152	39.675	.152			
GW211PPB10	3	1.9380	.0006	3.9370	.0006	1.3120	.0060	1.3120	.0060	9,740	5,850	2.26
		49.225	.015	100.000	.015	33.325	.152	33.325	.152			
GW211PPB13	1	1.7850	.0100	3.9370	.0006	.9840	.0060	1.3120	.0060	9,740	5,850	2.02
		45.339	.254	100.000	.015	25.000	.152	33.325	.152			
GW211PPB14	1	2.0150	.0100	3.9370	.0006	.9840	.0060	1.3120	.0060	9,740	5,850	2.00
		51.181	.254	100.000	.015	25.000	.152	33.325	.152			
GW211PP25	5	1.7800	.0050	3.9370	.0006	1.3120	.0060	1.7500	.0060	9,740	5,850	2.44
		45.212	.127	100.000	.015	33.325	.152	44.450	.152			
GW214PP2	4	2.7559	.0006	4.9213	.0008	1.5620	.0060	1.5620	.0060	14,000	8,800	4.19
		70.000	.015	125.000	.020	39.675	.152	39.675	.152			
GW214PPB2	3	2.7559	.0006	4.9213	.0008	1.5620	.0060	1.5620	.0060	14,000	8,800	3.96
		70.000	.015	125.000	.020	39.675	.152	39.675	.152			
GW214PPB3	3	1.9380	.0006	4.9213	.0008	1.5620	.0060	1.5620	.0060	14,000	8,800	4.24
		49.225	.015	125.000	.020	39.675	.152	39.675	.152			
GW214PPB5	2	2.7559	.0006	4.9213	.0008	1.5620	.0060	2.4380	.0060	14,000	8,800	4.75
		70.000	.015	125.000	.020	39.675	.152	61.925	.152			
GW214PPB6	1	2.6881	.0006	4.9213	.0008	1.1024	.0060	2.6875	.0060	14,000	8,800	5.14
		68.278	.015	125.000	.020	28.000	.152	68.263	.152			

Disc Harrow Bearings

Square Bore Non-Relubricable

Triple lip seals are used to protect bearings from corrosive environments. The seal is one piece shroud packed in molded contact seal. Seal is for life.



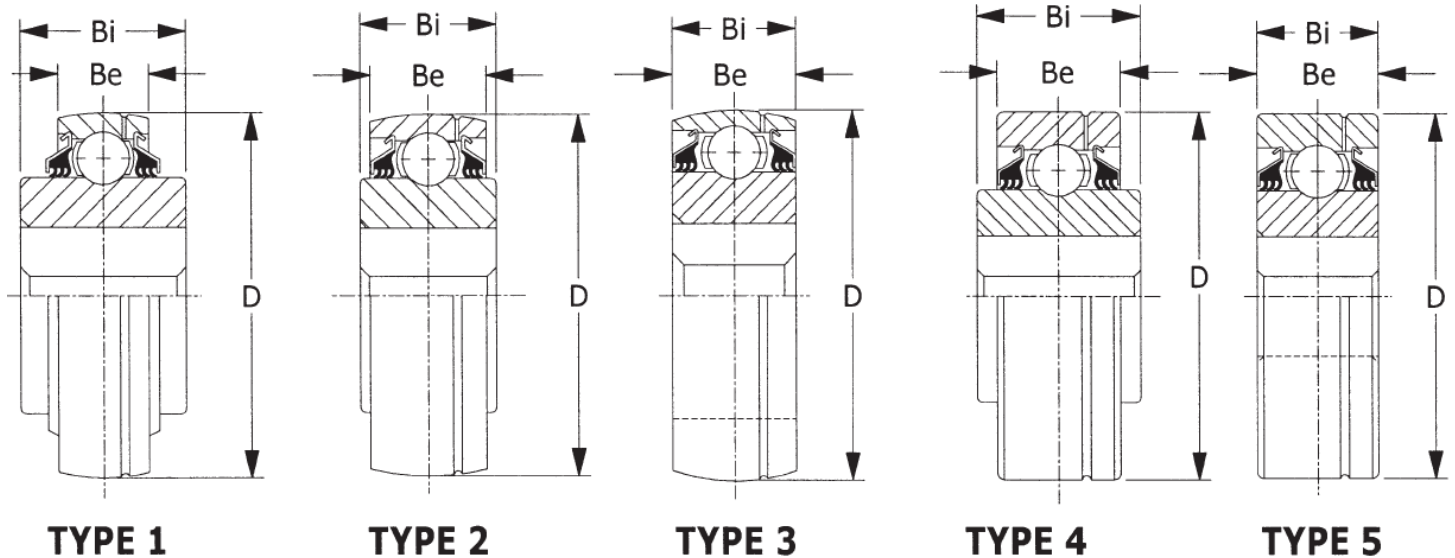
Ningbo Amol Machinery Co., Ltd.
 Jiangsu Amol Bearing Co., Ltd.
 Ningbo Amol Intl. Trade Co., Ltd.

WBW NUMBER	TYPE	Shaft Size	A		D		TOL.+0/ to minus shown	Be nominal	Bi nominal	Be & Bi TOL. +0/ to minus	Load Ratings		Wt. Lbs.
			nominal	ToL.	nominal						Dynamic	Static	
W208PP5	4	1 1/8	1.1800	±.005	3.1496	.0005	.7090	1.4380	.0050	7,340	3,650	1.50	
		28.575	29.970	.127	80.000	.013	18.000	36.520	.127				
W208PPB5	1	1 1/8	1.1800	±.005	3.1496	.0005	.7090	1.4380	.0050	7,340	3,650	1.47	
		28.575	29.970	.127	80.000	.013	18.000	36.520	.127				
W208PP6	4	1	1.0300	±.005	3.1496	.0005	.7090	1.4380	.0050	7,340	3,650	1.62	
		25.400	26.162	.127	80.000	.013	18.000	36.520	.127				
W208PPB6	1	1	1.0300	±.005	3.1496	.0005	.7090	1.4380	.0050	7,340	3,650	1.59	
		25.400	26.162	.127	80.000	.013	18.000	36.520	.127				
W208PP8	4	1 1/8	1.1800	±.005	3.1496	.0005	1.1880	1.4380	.0050	7,340	3,650	1.66	
		28.575	29.972	.127	80.000	.013	30.175	36.520	.127				
W208PPB8	2	1 1/8	1.1800	±.005	3.1496	.0005	1.1880	1.4380	.0050	7,340	3,650	1.66	
		28.575	29.972	.127	80.000	.013	30.175	36.520	.127				
W208PPB9	2	1	1.0300	±.005	3.1496	.0005	1.1880	1.4380	.0050	7,340	3,650	1.74	
		25.400	26.162	.127	80.000	.013	30.175	36.520	.127				
W208PPB11	6	7/8	.9050	±.005	3.3760	.0005	1.1880	1.4380	.0050	7,340	3,650	2.05	
		22.225	23.000	.127	85.750	.013	30.175	36.520	.127				
W208PPB12	6	1 1/8	1.1800	±.005	3.3760	.0005	1.1880	1.4380	.0050	7,340	3,650	1.62	
		28.575	29.972	.127	85.750	.013	30.175	36.520	.127				
W208PPB13	1	7/8	.9050	±.005	3.1496	.0005	.7090	1.4380	.0050	7,340	3,650	1.62	
		22.225	23.000	.127	80.000	.013	18.000	36.520	.127				
W209PPB5	2	1 1/4	1.2900	±.005	3.3465	.0005	1.1880	1.4380	.0050	7,350	4,150	1.75	
		31.750	32.766	.127	85.000	.013	30.175	36.520	.127				
W209PPB7	6	1 1/4	1.2900	±.005	3.3760	.0005	1.1880	1.4375	.0050	7,350	4,150	1.80	
		31.750	32.766	.127	85.750	.013	30.175	36.510	.127				
W210PP4	5	1 1/8	1.1800	±.005	3.5433	.0005	1.1880	1.1880	.0050	7,880	4,650	1.92	
		28.575	29.972	.127	90.000	.013	30.175	30.150	.127				
W210PPB4	3	1 1/8	1.1800	±.005	3.5433	.0005	1.1880	1.1880	.0050	7,880	4,650	2.11	
		28.575	29.972	.127	90.000	.013	30.175	30.175	.127				
W210PPB6	2	1 1/8	1.1800	±.005	3.5433	.0005	1.1880	1.4380	.0050	7,880	4,650	2.11	
		28.575	29.972	.127	90.000	.013	30.175	36.520	.127				
W211PP3	5	1 1/2	1.5311	±.005	3.9370	.0006	1.3120	1.3120	.0060	9,740	5,850	2.79	
		38.100	38.890	.127	100.00	.015	33.324	33.324	.152				
W211PPB3	3	1 1/2	1.5311	±.005	3.9370	.0006	1.3120	1.3120	.0060	9,740	5,850	2.66	
		38.100	38.890	.127	100.00	.015	33.324	33.324	.152				
W211PP5	4	1 1/2	1.5311	±.005	4.0000	.0006	1.4380	1.7500	.0060	9,740	5,850	3.38	
		38.100	38.890	.127	101.600	.015	36.520	44.450	.152				
W211PPB6	6	1 1/2	1.5311	±.005	4.0770	.0006	1.4380	1.7500	.0060	9,740	5,850	4.05	
		38.100	38.890	.127	103.556	.015	36.520	44.450	.152				

Disc Harrow Bearings

Square Bore Relubricable

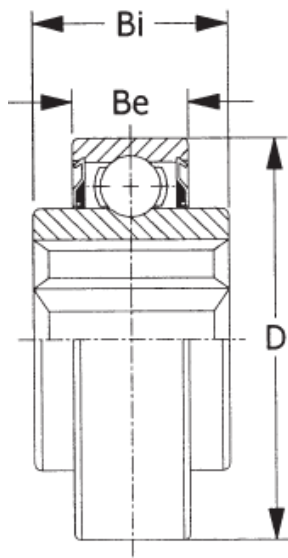
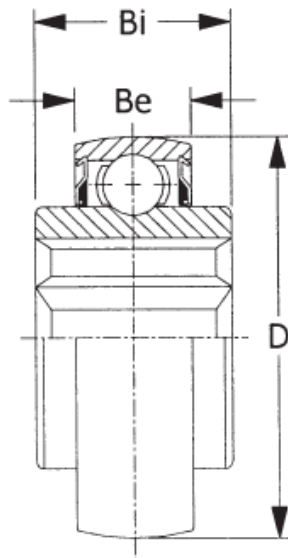
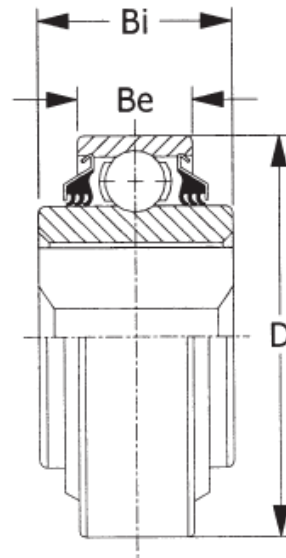
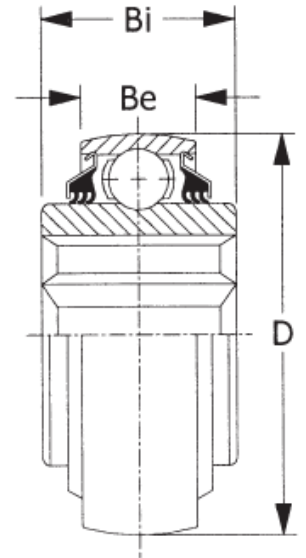
Triple lip seals are used to protect bearings from corrosive environments. The seal is one piece shroud packed in molded contact seal. A re-grease hole is drilled on the groove.



WBW NUMBER	TYPE	Shaft Size	A nominal	ToI.	D		Be nominal	Bi nominal	Be & Bi TOL +0/to minus shown	Load Ratings		Wt. Lbs.
					nominal	TOL +0/to minus shown				Dynamic	Static	
GW208PPB5	1	1 1/8 28.575	1.1800 29.972	±.005 .127	3.1496 80.000	.0005 .013	.8270 21.000	1.4380 36.525	.0050 .127	7,340	3,650	1.47
GW208PPB6	1	1 25.400	1.0300 26.162	±.005 .127	3.1496 80.000	.0005 .013	.8270 21.000	1.4380 36.525	.0050 .127	7,340	3,650	1.75
GW208PPB8	2	1 1/8 28.575	1.1800 29.972	±.005 .127	3.1496 80.000	.0005 .013	1.1880 30.175	1.4380 36.525	.0050 .127	7,340	3,650	1.75
GW208PP17	4	1 1/8 28.575	1.1800 29.972	±.005 .127	3.3755 85.738	.0005 .013	1.1880 30.175	1.4380 36.525	.0500 .127	7,340	3,650	2.04
GW208PPB17	2	1 1/8 28.575	1.1800 29.972	±.005 .127	3.3755 85.738	.0005 .013	1.1880 30.175	1.4380 36.525	.0050 .127	7,340	3,650	2.04
GW209PPB5	2	1 1/4 31.750	1.2900 32.776	±.005 .127	3.3465 85.000	.0006 .015	1.1880 30.175	1.4380 36.525	.0050 .127	7,350	4,150	1.75
GW209PPB8	1	1 1/4 31.750	1.2900 32.776	±.005 .127	3.3465 85.000	.0006 .015	.8660 22.000	1.4380 36.525	.0050 .127	7,350	4,150	1.65
GW210PP4	5	1 1/8 28.575	1.1800 29.972	±.005 .127	3.5433 90.000	.0006 .015	1.1880 30.175	1.1880 30.175	.0050 .127	7,880	4,650	2.31
GW210PPB4	3	1 1/8 28.575	1.1800 29.972	±.005 .127	3.5433 90.000	.0006 .015	1.1880 30.175	1.1880 30.175	.0050 .127	7,880	4,650	1.75
GW211PP3	5	1 1/2 38.100	1.5311 39.890	±.005 .127	3.9370 100.000	.0006 .015	1.3120 33.325	1.3120 33.325	.0060 .152	9,740	5,850	2.79
GW211PPB3	3	1 1/2 38.100	1.5311 38.890	±.005 .127	3.9370 100.000	.0006 .015	1.3120 33.325	1.3120 33.325	.0060 .152	9,740	5,850	2.66
GW211PP5	4	1 1/2 38.100	1.5311 38.890	±.005 .127	4.0000 101.600	.0006 .015	1.4380 36.525	1.7500 44.450	.0060 .152	9,740	5,850	2.69
GW211PP17	4	1 1/2 38.100	1.5311 38.890	±.005 .127	3.9370 100.000	.0006 .015	1.3120 33.325	1.7500 44.450	.0060 .152	9,740	5,850	2.62
GW211PPB17	1	1 1/2 38.100	1.5311 38.890	±.005 .127	3.9370 100.000	.0006 .015	1.3120 33.325	1.7500 44.450	.0060 .152	9,740	5,850	2.55
GW212PP50	4	1 3/4 44.450	1.7400 45.466	±.005 .127	4.3307 110.000	.0006 .015	1.5060 38.252	2.0000 50.800	.0059 .150	11,790	8,110	4.35
GW214PPB4	3	2 50.800	2.0551 52.200	±.005 .127	4.9213 125.000	.0008 .020	1.5620 39.675	1.5620 39.675	.0060 .152	14,000	8,800	4.75
GW216PP2	4	2 1/4 57.150	2.3150 58.800	±.005 .127	5.5118 140.000	.0008 .020	1.1810 30.000	2.5000 63.500	.0060 .152	16,280	10,400	6.32

Hex Bore Series

This series of bearings are used in applications where collars, set screws or other lock devices are not required. We use a close fitting metal shield backed by a molded rubber seal in these bearings.

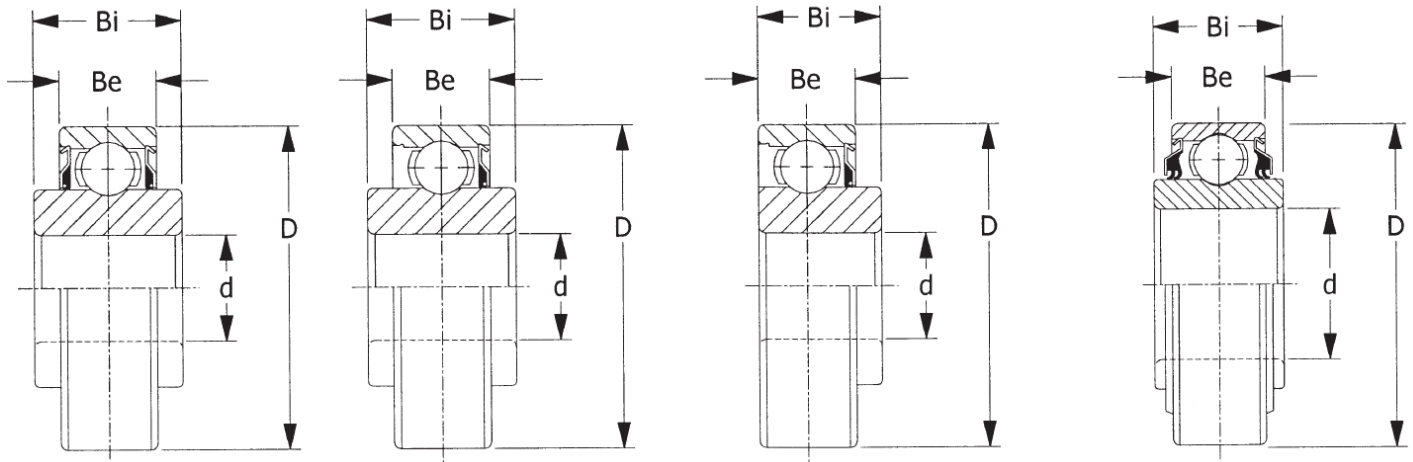
**TYPE 1****TYPE 2****TYPE 3****TYPE 4**

Ningbo Amol Machinery Co., Ltd.
 Jiangsu Amol Bearing Co., Ltd.
 Ningbo Amol Intl. Trade Co., Ltd.

WBW NUMBER	TYPE	Hex Shaft Size	A nominal	"B" & "A" TOL - 0/ to plus	D		Be nominal	Bi nominal	Be & Bi TOL +0/ to minus shown	Load Ratings		Wt. Lbs.
					nominal	TOL + 0/ to minus shown				Dynamic	Static	
202KRR3	1	9/16"	.5630 14.300	.0050 .127	1,3780 35.000	.0005 .013	.4330 11.000	.5120 13.000	.0050 .127	2,160	1,000	.12
204KPP2	3	11/16"	.6950 17.653	.0050 .127	1,8504 47.000	.0005 .013	.5510 14.000	.8250 20.955	.0050 .127	2,900	1,000	.34
204KRR2	1	11/16"	.6950 17.653	.0050 .127	1,8504 47.000	.0005 .013	.5510 14.000	.8250 20.955	.0050 .127	2,900	1,410	.32
204KRRB2	2	11/16"	.6950 17.653	.0050 .127	1,8504 47.000	.0005 .013	.5510 14.000	.8250 20.955	.0050 .127	2,900	1,410	.32
205KPP2	3	7/8"	.8760 22.250	.0050 .127	2,0472 52.000	.0005 .013	.5910 15.000	1,0000 25.400	.0050 .127	3,150	1,610	.47
205KRR2	1	7/8"	.8760 22.250	.0050 .127	2,0472 52.000	.0005 .013	.5910 15.000	1,0000 25.400	.0050 .127	3,150	1,610	.44
205KPPB2	4	7/8"	.8760 22.250	.0050 .127	2,0472 52.000	.0005 .013	.5910 15.000	1,0000 25.400	.0050 .127	3,150	1,610	.47
205KRRB2	2	7/8"	.8760 22.250	.0050 .127	2,0472 52.000	.0005 .013	.5910 15.000	1,0000 25.400	.0050 .127	3,150	1,610	.44
206KPP4***	3	1"	1,0010 25.425	.0050 .127	2,4409 62.000	.0005 .013	.6299 16.000	1,0600 26.924	.0047 .120	4,370	2,320	.47
G206KPPB4*	4	1"	1,0010 25.425	.0050 .127	2,4409 62.000	.0005 .013	.7087 18.000	.9449 24.000	.0047 .120	4,370	2,320	.47
206KRR6	1	1"	1,0010 25.425	.0050 .127	2,4409 62.000	.0005 .013	.6300 16.000	.9450 24.000	.0050 .127	4,370	2,320	.75
206KRRB6	2	1"	1,0010 25.425	.0050 .127	2,4409 62.000	.0005 .013	.6300 16.000	.9450 24.000	.0050 .127	4,370	2,320	.75
G207KPPB2*	4	1 1/8"	1,1260 28.600	.0050 .127	2,8346 72.000	.0005 .013	.7480 19.000	1,4840 37.694	.0050 .127	5,770	3,150	1.10
207KRRB9	2	1 1/8"	1,1260 28.600	.0050 .127	2,8346 72.000	.0005 .013	.6690 17.000	1,4840 37.694	.0050 .127	5,770	3,150	1.00
207KRRB12	2	1 1/8"	1,1260 28.600	.0050 .127	2,8346 72.000	.0005 .013	.6690 17.000	.9840 25.000	.0050 .127	5,770	3,150	.87
GW208PPB22*	4	1 1/4"	1,2510 31.877	.0050 .127	3,1496 80.000	.0005 .013	.8270 21.000	1,4380 36.520	.0050 .127	7,340	3,650	1.50
W208KRRB6	2	1 3/8"	1,3760 34.950	.0050 .127	3,1496 80.000	.0005 .013	.8270 21.000	1,4380 1.438	.0050 .127	7,340	3,650	1.31
W208PPB16	4	1 1/4"	1,2510 31.775	.0050 .127	3,1496 80.000	.0005 .013	.7090 18.000	1,4380 36.520	.0050 .127	7,340	3,650	1.45
W208PP21	3	1 1/4"	1,2510 31.775	.0050 .127	3,1496 80.000	.0005 .013	.7090 18.000	1,4380 36.520	.0050 .127	7,340	3,650	1.45
G209KPPB2*	4	1 1/2"	1,5010 38.125	.0050 .127	3,3465 85.000	.0006 .015	.7480 19.000	1,1810 30.000	.0050 .127	7,350	4,150	1.26
G5209KYB2**		1 1/2"	1,5010 38.125	.0050 .127	3,3465 85.000	.0006 .015	1,1811 30.000	1,2992 33.000	.0050 .127	9,330	7,580	1.27
209KRRB2	2	1 1/2"	1,5010 38.125	.0050 .127	3,3465 85.000	.0006 .015	.7480 19.000	1,1810 30.000	.0050 .127	7,350	4,150	1.27
210PPB20	3	1 1/4"	1,2550 31.877	.0050 .127	3,5433 90.000	.0006 .015	0,8661 22.000	1,4350 36.450	.0050 .127	9,070	5,675	2.00
210PP20	3	1 1/4"	1,2550 31.877	.0050 .127	3,5433 90.000	.0006 .015	0,8661 22.000	1,435 36.450	.0050 .127	9,070	5,675	2.05
G210KPPB2*	4	1 1/2"	1,5010 38.125	.0050 .127	3,5433 90.000	0.115 .013	0,8661 22.000	1,1811 30.000	.0050 .127	7,780	4,650	
GC211-32-NLC*	3	1 3/4"	1,7510 44.475	.0050 .127	3,9370 100.000	.0006 .015	.9840 25.000	2,2500 57.150	.0060 .152	9,740	5,850	3.35

200 Series

This series of bearings use standard Conrad type ball bearings with special heavy contact seal. It is used in harsh environment with heavy contamination.



TYPE 1

TYPE 2

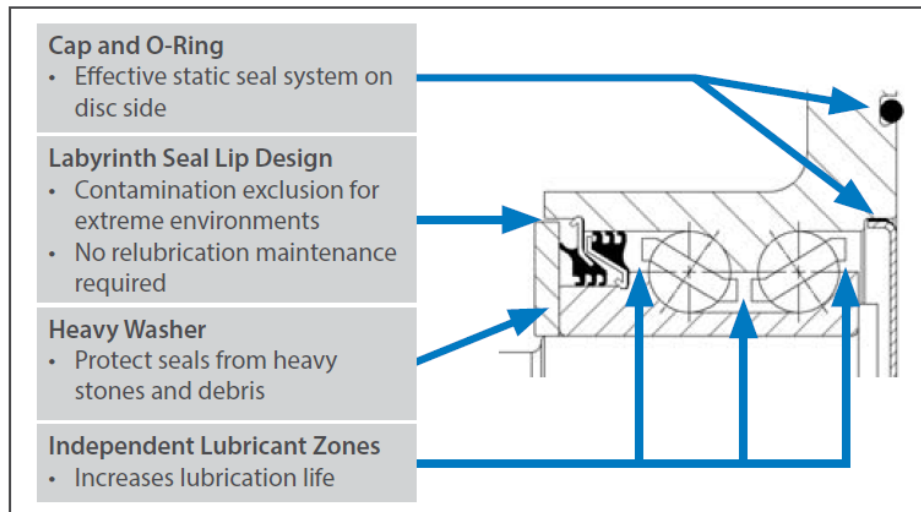
TYPE 3

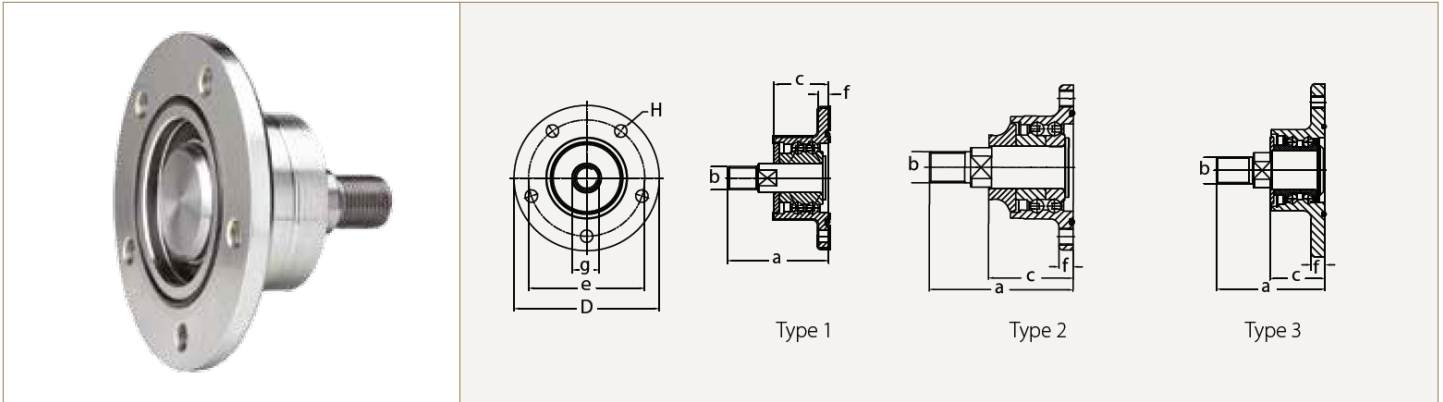
TYPE 4



WBW NUMBER	TYPE	d		D		Bi		Be		Load Ratings		Wt. Lbs.
		nominal	TOL. +0/ to minus	nominal	TOL. +0/ to minus	nominal	TOL. +0/ to minus	nominal	TOL. +0/ to minus	Dynamic	Static	
203KR2	3	.6253	.0003	1.5748	.0005	.5510	.0050	.4724	.0050	2,160	889	.18
BB203KRR2*	1	15.883	.008	40.000	.013	14.000	.127	12.000	.127	1,900	825	.16
		16.260	.127	40.000	.013	18.288	.127	12.000	.127			
203KRR2	1	.6400	.0050	1.5748	.0005	.7200	.0050	.4724	.0050	2,160	889	.16
		16.260	.127	40.000	.013	18.288	.127	12.000	.127			
BB203KRR2FD**	4	.6400	.0050	1.5748	.0005	.7200	.0050	.4724	.0050	1,900	825	.17
		16.260	.127	40.000	.013	18.288	.127	12.000	.127			
203KRR5	1	.5150	.0050	1.5748	.0005	.7200	.0050	.4724	.0050	2,160	889	.22
		13.081	.127	40.000	.013	18.288	.127	12.000	.127			
203KRR7	1	.6693	.0003	1.5748	.0005	.6540	.0050	.4724	.0050	2,160	889	.18
		17.000	.008	40.000	.013	16.612	.127	12.000	.127			
207KRR	1	1.3780	.0005	2.8346	.0005	.9840	.0050	.6690	.0050	5,770	3,150	.77
		35.000	.013	72.000	.013	25.000	.127	17.000	.127			
208KRR2	1	1.5748	.0005	3.1496	.0005	1.0630	.0050	.8270	.0050	7,340	3,650	1.04
		40.000	.013	80.000	.013	27.000	.127	21.000	.127			

Hub Bearings





Part Number	Type	b	e		c		a		D		H Bolt	f		g	
			[inch]	[mm]	[inch]	[mm]	[inch]	[mm]	[inch]	[mm]		[inch]	[mm]	[inch]	[mm]
HUB-20MM-X	1	M16 x 2.00	3.1496	80	1.4961	38	2.8740	73	3.9370	100	5x H12 x 8.5	0.2756	7	0.7283	18.5
HUB-30MM	3	M22 x 1.50	3.8583	98	1.7717	45	3.4646	88	4.6063	117	4 x M12 x 1.25	/	/	1.0039	25.5
HUB-30MM-X-ASSY-A221	2	M22 x 1.5	3.8583	98	2.3622	60	4.0945	104	4.6063	117	4 x M12 x 1.25	0.3937	10	1.0039	25.5
HUB-30MM-X-ASSY-A249	2	M22 x 1.5	3.8583	98	2.3622	60	4.0158	102	4.6063	117	6x M12 x 1.25	0.3937	10	1.0039	25.5
HUB-30MM-X-ASSY-A452	2	M22 x 1.25	3.8583	98	2.3622	60	4.0158	102	4.6063	117	5 x M12 x 1.25	0.3937	10	1.0039	25.5
HUB-35MM	3	M24 x 2.00	4.4094	112	2.0669	52.5	3.8780	98.5	5.5118	140	5 x M12 x 1.50	0.4134	10.5	1.1024	28
HUB-35MM-X-ASSY-A243	3	M24 x 2	5.9055	150	2.4016	61	4.5669	116	7.0079	178	6 x M12 x 1.25	0.4134	10.5	1.1024	28
HUB-40MM-X-ASSY-A436	3	M27 x 2.00	5.5118	140	2.1654	55	4.3701	111	7.0079	178	5 x M12 x 1.25	0.5512	14	1.3189	33.5