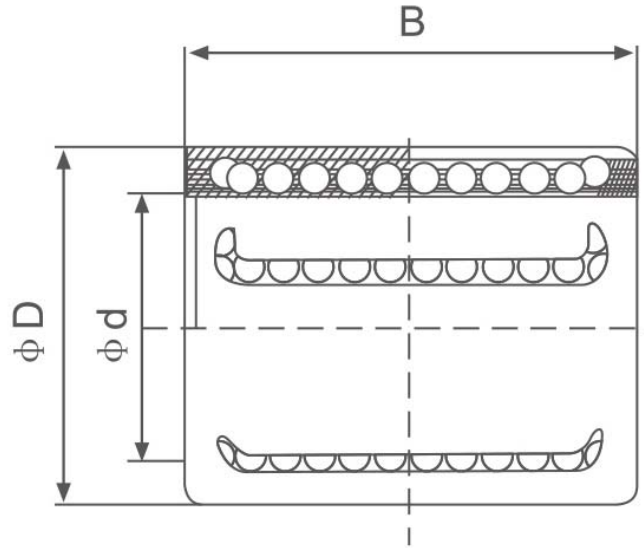


Ningbo Amol Machinery Co., Ltd.  
Jiangsu Amol Bearing Co., Ltd.  
Ningbo Amol Intl. Trade Co., Ltd.



# Linear Bush Series

## KH



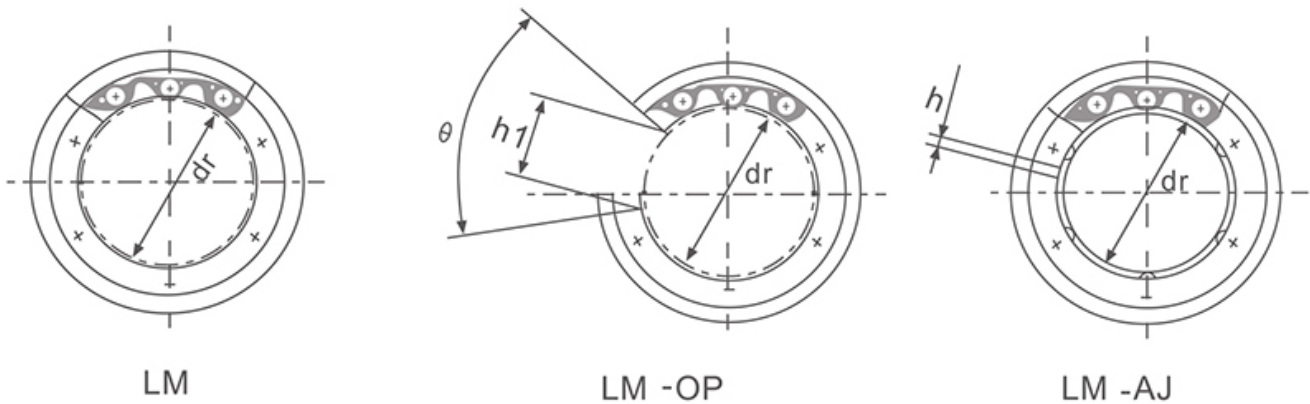
Part Number	Dimensions			Basic Load Rating		Weight
	$\phi d$	$\phi D$	B	D1/na mic Co N	Static Co N	
KH-0622	6	12	22	400	239	7
KH-0824	8	15	24	435	280	12
KH-1026	10	17	26	500	370	14.5
KH-1228	12	19	28	620	510	18.5
KH-1428	14	21	28	620	520	20.5
KH-1630	16	24	30	800	620	27.5
KH-2030	20	28	30	950	790	32.5
KH-2540	25	35	40	1990	1670	66
KH-3050	30	40	50	2800	2700	95
KH-4060	40	52	60	4400	4450	182
KH-5070	50	62	70	5500	6300	252

Ningbo Amol Machinery Co., Ltd.  
Jiangsu Amol Bearing Co., Ltd.  
Ningbo Amol Intl. Trade Co., Ltd.



# Linear Bush Series

## LM (SM)

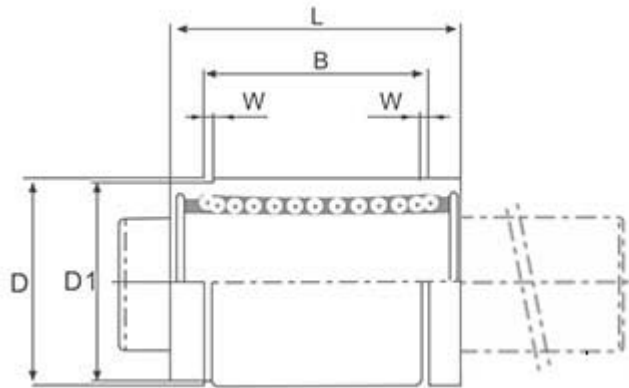


Part Number										Main Dimensions	
Seal Type	Ball Circuit	Open type	Ball Circuit	Adjustable Type	Ball Circuit	dr (mm)	Tolerance ( μ m )	D (mm)	Tolerance ( μ m )	L (mm)	Tolerance ( μ m )
LM3	4	—	—	—	—	3	0	7	0	10	0
LM4	4	—	—	—	—	4	-8	8	-9	12	-120
LM5UU	4	—	—	—	—	5		10		15	
LM6UU	4	—	—	LM6UUAJ	4	6	0	12	0	19	0
LM8SUU	4	—	—	LM8SUUAJ	4	8	-9	15	-11	17	-200
LM8UU	4	—	—	LM8UUAJ	4	8		15		24	
LM10UU	4	—	—	LM10UUAJ	4	10		19	0	29	
LM12UU	4	LM12UU-OP	3	LM12UUAJ	4	12		21	-13	30	
LM13UU	4	LM13UU-OP	3	LM13UUAJ	4	13		23		32	
LM16UU	5	LM16UU-OP	4	LM16UUAJ	5	16		28		37	
LM20UU	5	LM20UU-OP	4	LM20UUAJ	5	20	0	32	0	42	
LM25UU	6	LM25UU-OP	5	LM25UUAJ	6	25	-10	40	-16	59	0
LM30UU	6	LM30UU-OP	5	LM30UUAJ	6	30		45		64	-300
LM35UU	6	LM35UU-OP	5	LM35UUAJ	6	35	0	52	0	70	
LM40UU	6	LM40UU-OP	5	LM40UUAJ	6	40	-12	60	-19	80	
LM50UU	6	LM50UU-OP	5	LM50UUAJ	6	50		80		100	
LM60UU	6	LM60UU-OP	5	LM60UUAJ	6	60	0	90	0	110	
LM80UU	6	LM180U-OP	5	LM80UUAJ	6	80	-15	120	-22	140	0
LM100UU	6	LM100UU-OP	5	LM100UUAJ	6	100	0/-20	150	0/-25	175	-400



# Linear Bush Series

## LME( KB )



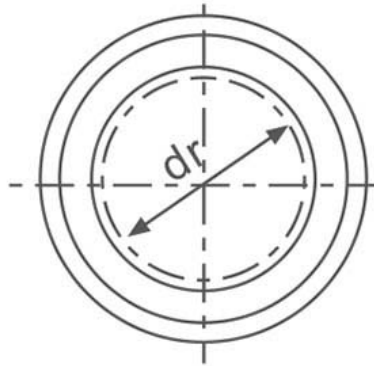
<i>Part Number</i>											
Seal Type	Ball Circuit	Open Type	Ball Circuit	Adjustable Type	Ball Circuit	dr (mm)	Tolerance (µm)	D (mm)	Tolerance (µm)	L (mm)	Tolerance (µm)
LME5UU	4	-	-	LME5UUAJ	4	5	+8	12	0	22	-0
LME8UU	4	-	-	LME8UUAJ	4	8	0	16	-8	25	200
LME12UU	4	LME12UU-OP	3	LME12UUAJ	4	12		22	0	32	
LME16UU	5	LME16UU-OP	4	LME16UUAJ	5	16	+9	26	-9	36	
LME20UU	5	LME20UU-OP	4	LME20UUAJ	5	20	-1	32	0	45	
LME25UU	6	LME25UU-OP	5	LME25UUAJ	6	25	+11	40	-11	58	0
LME30UU	6	LME30UU-OP	5	LME30UUAJ	6	30	-1	47		68	-300
LME40UU	6	LME40UU-OP	5	LME40UUAJ	6	40	+13	62	0	80	
LME50UU	6	LME50UU-OP	5	LME50UUAJ	6	50	-2	75	-13	100	
LME60UU	6	LME60UU-OP	5	LME60UUAJ	6	60		90	0	125	0
LME80UU	6	LME80UU-OP	5	LME80UUAJ	6	80	+16	120	-15	165	-400
							-4				

Ningbo Amol Machinery Co., Ltd.  
Jiangsu Amol Bearing Co., Ltd.  
Ningbo Amol Intl. Trade Co., Ltd.



# Linear Bush Series

## LM..L( SM..W )



Part Number		Main dimensions and Tolerance										Basic Ra	
Seal Type	Ball Circuit	dr (mm)	Tolerance ( $\mu$ m)	D (mm)	Tolerance ( $\mu$ m)	L (mm)	Tolerance ( $\mu$ m)	B (mm)	Tolerance ( $\mu$ m)	W (mm)	D1 (mm)	Dynamic Co N	
	LM6LUU	4	6	0	12	0	35	0	27	.	1.1	11.5	323
	LM8LUU	4	8	-10	15	-13	45	-300	35	-400	1.1	14.3	431
	LM10LUU	4	10		19	0	55		44		1.3	18	588
	LM12LUU	4	12		21	-16	57		46		1.3	20	813
	LM13LUU	4	13		23		61		46		1.3	22	813
	LM16LUU	5	16		28		70		53		1.6	27	1230
	LM20LUU	5	20	0	32	0	80		61		1.6	30.5	1400
	LM25LUU	6	25	-12	40	-19	112	0	82	0	1.85	38	1560
	LM30LUU	6	30		45		123	-400	89	-500	1.85	43	2490
	LM35LUU	6	35	0	52	0	135		99		2.1	49	2650
	LM40LUU	6	40	-15	60	-22	151		121		2.1	57	3430
	LM50LUU	6	50		80		192		148		2.6	76.5	6080
	LM60LUU	6	60	0/-20	90	0/-25	209		170		3.15	86.5	7550

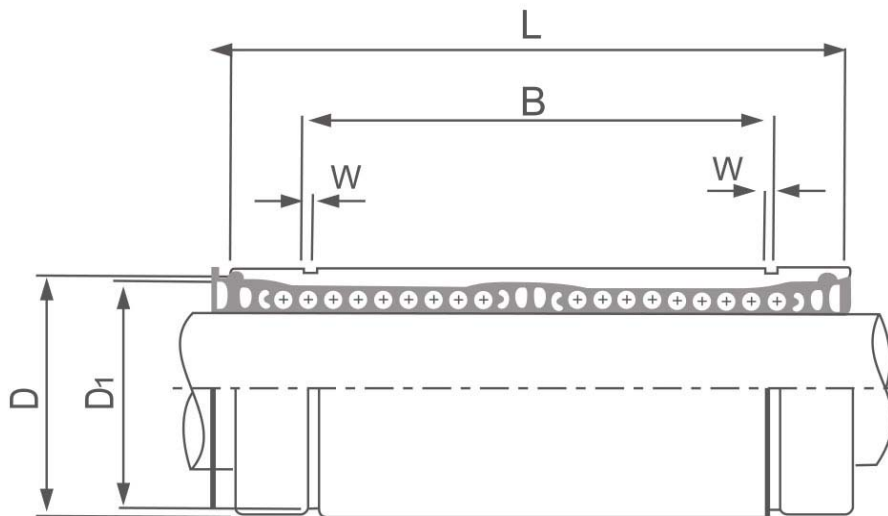


Ningbo Amol Machinery Co., Ltd.  
Jiangsu Amol Bearing Co., Ltd.  
Ningbo Amol Intl. Trade Co., Ltd.



# Linear Bush Series

## LME..L( KB..W )

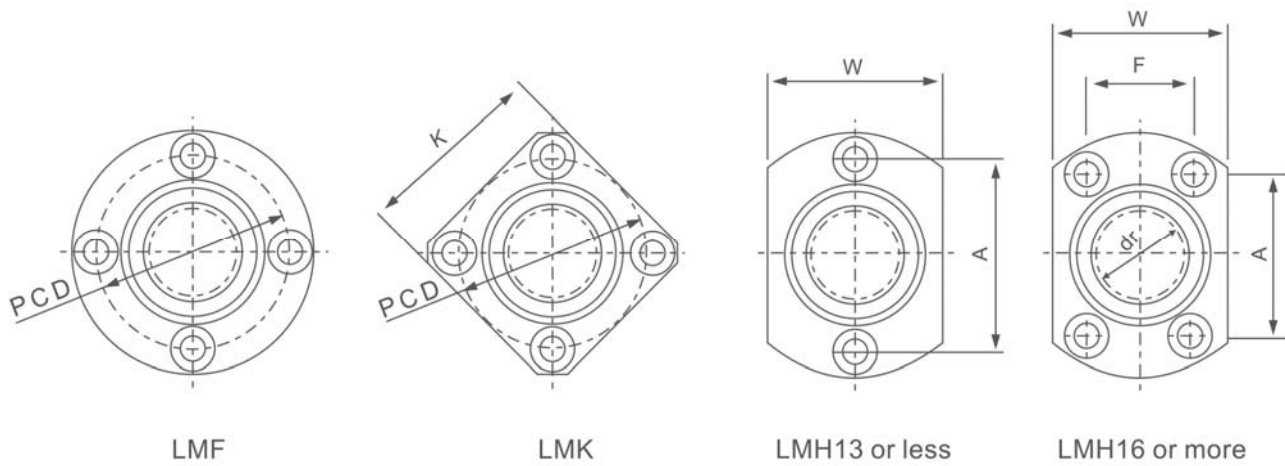


Part Number		Main dimensions and Tolerance										Basic R
Seal Type	Ball Circuit	dr (mm)	Tolerance (µm)	D (mm)	Tolerance (µm)	L (mm)	Tolerance (µm)	B (mm)	Tolerance (µm)	W (mm)	D1 (mm)	Dynam Co N
LME8LUU	4	8	+9	16	0/-9	46	0	33	0	1.1	15.2	421
LME12LUU	4	12	-1	22	0	61	-300	45.8	-400	1.3	21	813
LME16LUU	5	16	+11	26	-11	68		49.8		1.3	24.9	921
LME20LUU	5	20	-1	32	0	80		61		1.6	30.5	1370
LME25LUU	6	25	+13	40	-13	112	0	82	0	1.85	38	1570
LME30LUU	6	30	-2	47		123	-400	104.2	-500	1.85	44.5	2500
LME40LUU	6	40	+16	62	0	151		121.2		2.15	59	3430
LME50LUU	6	50	-4	75	-15	192		155.2		2.65	72	6080
LME60LUU	6	60		90	0/-20	209		170		3.15	86.5	7550



# Linear Bush Series

## LMF/K/H(SMF/K/T)

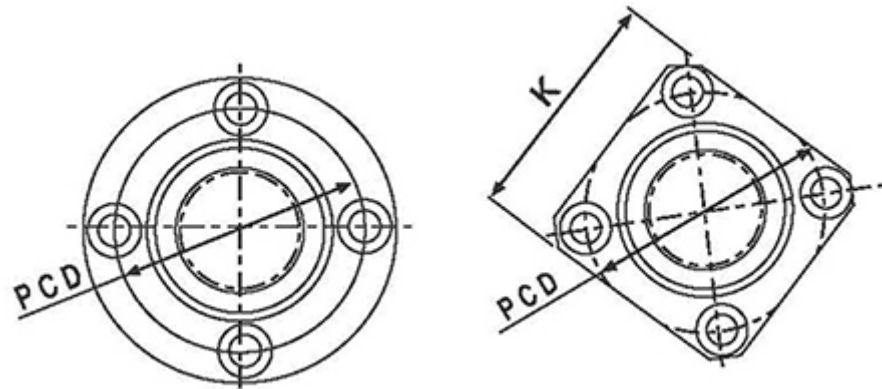


Part Number			Main Dimensions and Tolerance										
Seal Type	Ball Circuit	dr (mm)	Tolerance (μm)	D (mm)	Tolerance (μm)	L ±0.3 (mm)	D1 (mm)	H (mm)	PCD (mm)	K (mm)	W (mm)		
LMF6UU	LMK6UU	LMH6UU	4	6	0	12	0	19	28	5	20	22	18
LMF8UU	LMK8UU	LMH8UU	4	8	-9	15	-11	24	32	5	24	25	21
LMF10UU	LMK10UU	LMH10UU	4	10		19	0	29	40	6	29	30	25
LMF12UU	LMK12UU	LMH12UU	4	12		21	-13	30	42	6	32	32	27
LMF13UU	LMK13UU	LMH13UU	4	13		23		32	43	6	33	34	29
LMF16UU	LMK16UU	LMH16UU	5	16		28		37	48	6	38	37	34
LMF20UU	LMK20U	LMH20UU	5	20		32		42	54	8	43	42	38
LMF25UU	LMK25UU	LMH25UU	6	25	0	40	0	59	62	8	51	50	46
LMF30UU	LMK30UU	LMH30UU	6	30	-10	45	-16	64	74	10	60	58	51
LMF35UU	LMK35UU	-	6	35	0	52		70	82	10	67	64	-
LMF40UU	LMK40UU	-	6	40	-12	60	0	80	96	13	78	75	-
LMF50UU	LMK50UU	-	6	50		80	-19	100	116	13	98	92	-
LMF60UU	LMK60UU	-	6	60	0/-15	90	0/-22	110	134	18	112	106	-



# Linear Bush Series

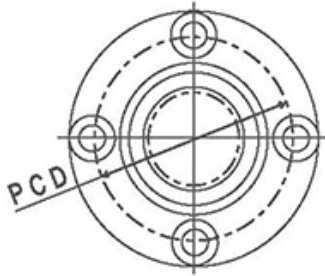
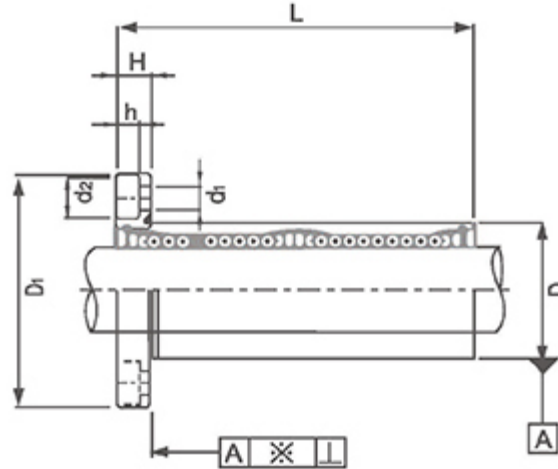
## LMF/K/H(SMF/K/T)



Part Number		Main Dimensions and Tolerance										
Seal Type		Ball Circuit	dr (mm)	Tolerance (µm)	D (mm)	Tolerance (µm)	L ±0.3 (mm)	D1 (mm)	H (mm)	PCD (mm)	K (mm)	d1xd2xh (mm)
LMEF8UU	LMEK8UU	4	8	+8	16	0/-11	25	32	5	24	25	3.5x6x3.1
LMEF12UU	LMEK12UU	4	12	0	22	0	32	42	6	32	32	4.5x7.5x4.1
LMEF16UU	LMEK16UU	5	16	+9	26	-13	36	46	6	36	35	4.5x7.5x4.1
LMEF20UU	LMEK20UU	5	20	-1	32	0	45	54	8	43	42	5.5x9x5.1
LMEF25UU	LMEK25UU	6	25	+11	40	-16	58	62	8	51	50	5.5x9x5.1
LMEF30UU	LMEK30UU	6	30	-1	47		68	76	10	62	60	6.6x11x6.1
LMEF40UU	LMEK40UU	6	40	+13	62	0	80	98	13	80	75	9x14x8.1
LMEF50UU	LMEK50UU	6	50	-2	75	-19	100	112	13	94	88	9x14x8.1
LMEF60UU	LMEK60UU	6	60		90	0/-22	125	134	18	112	106	11x17x11.1

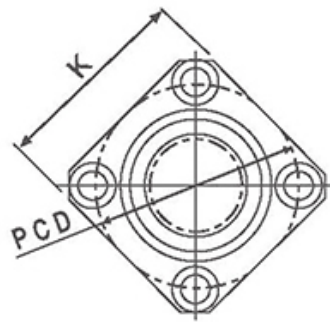


Ningbo Amol Machinery Co., Ltd.  
 Jiangsu Amol Bearing Co., Ltd.  
 Ningbo Amol Intl. Trade Co., Ltd.

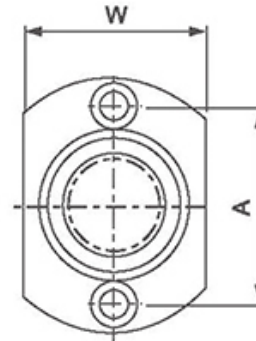


LMF□L

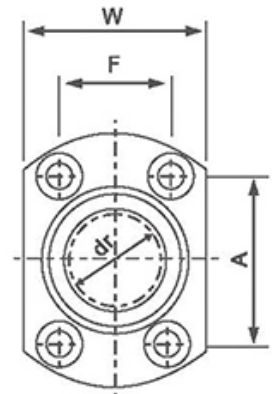
Part Number



LMK□L



LMH13L or less



LMH16L or more

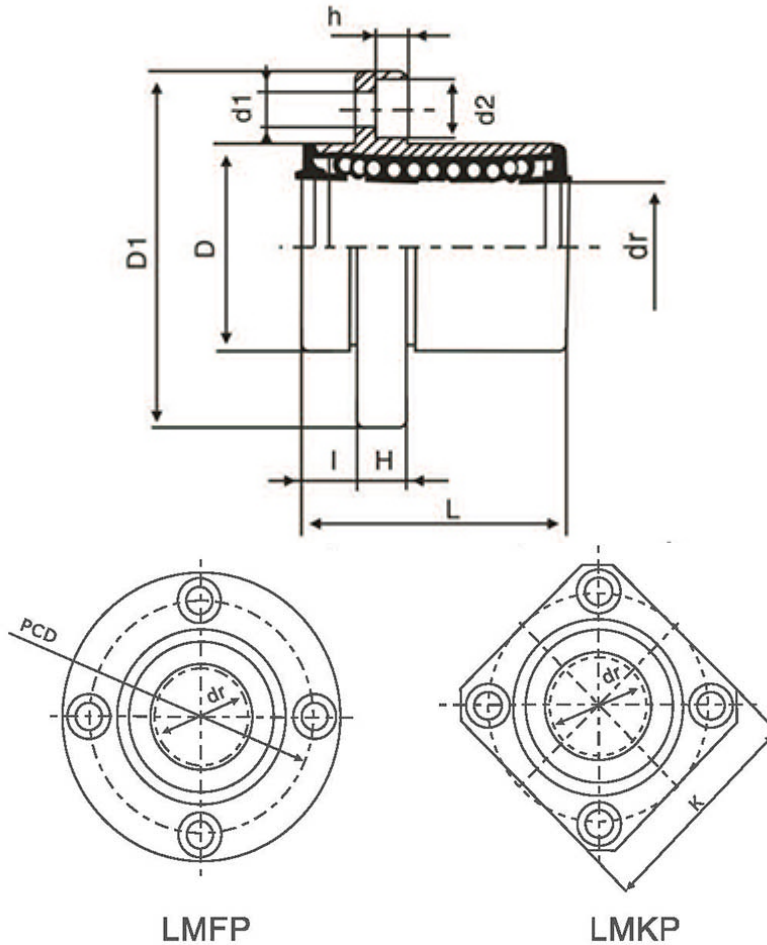
Main Dimensions and Tolerance

Seal Type			Ball Circuit	dr (mm)	Tolerance ( $\mu$ m)	D (mm)	Tolerance ( $\mu$ m)	L $\pm 0.3$ (mm)	D1 (mm)	H (mm)	PCD (mm)	K (mm)
LMF6LUU	LMK6LUU	LMH6LUU	4	6	0	12	0	35	28	5	20	22
LMF8LUU	LMK8LUU	LMH8LUU	4	8	-10	15	-13	45	32	5	24	25
LMF10LUU	LMK10LUU	LMH10LUU	4	10		19	0	55	40	6	29	30
LMF12LUU	LMK12LUU	LMH12LUU	4	12		21	-16	57	42	6	32	32
LMF13LUU	LMK13LUU	LMH13LUU	4	13		23		61	43	6	33	34
LMF16LUU	LMK16LUU	LMH16LUU	5	16		28		70	48	6	38	37
LMF20LUU	LMK20LUU	LMH20LUU	5	20	0	32	0	80	54	8	43	42
LMF25LUU	LMK25LUU	LMH25LUU	6	25	-12	40	-19	112	62	8	51	50
LMF30LUU	LMK30LUU	LMH30LUU	6	30		45		123	74	10	60	58
LMF35LUU	LMK35LUU	-	6	35	0	52	0	135	82	10	67	64
LMF40LUU	LMK40LUU	-	6	40	-15	60	-22	151	96	13	78	75
LMF50LUU	LMK50LUU	-	6	50		80		192	116	13	98	92
LMF60LUU	LMK60LUU	-	6	60	0/-20	90	0/-25	209	134	18	112	106





# Linear Bush Series LMF/KP(SMF/K-E)



Part Number		Main Dimensions and Tolerance										
Seal Type	Ball Circuit	dr (mm)	Tolerance ( $\mu$ m)	D (mm)	Tolerance ( $\mu$ m)	L $\pm 0.3$ (MM)	I (mm)	D1 (mm)	K (mm)	H (mm)	PCD (mm)	d1xd2xh (mm)
LMFP6UU	4	6	0	12	0	19	5	28	22	5	20	3.5X6X3.1
LMKP6UU	4	6	-9	12	-13	19	5	28	22	5	20	3.5X6X3.1
LMFP8UU	4	8		15		24	5	32	25	5	24	3.5X6X3.1
LMKP8UU	4	8		15		24	5	32	25	5	24	3.5X6X3.1
LMFP10UU	4	10		19	0	29	6	40	30	6	29	4.5X7.5X4.1
LMKP10UU	4	10		19	-16	29	6	40	30	6	29	4.5X7.5X4.1
LMFP12UU	4	12		21		30	6	42	32	6	32	4.5X7.5X4.1
LMKP12UU	4	12		21		30	6	42	32	6	32	4.5X7.5X4.1

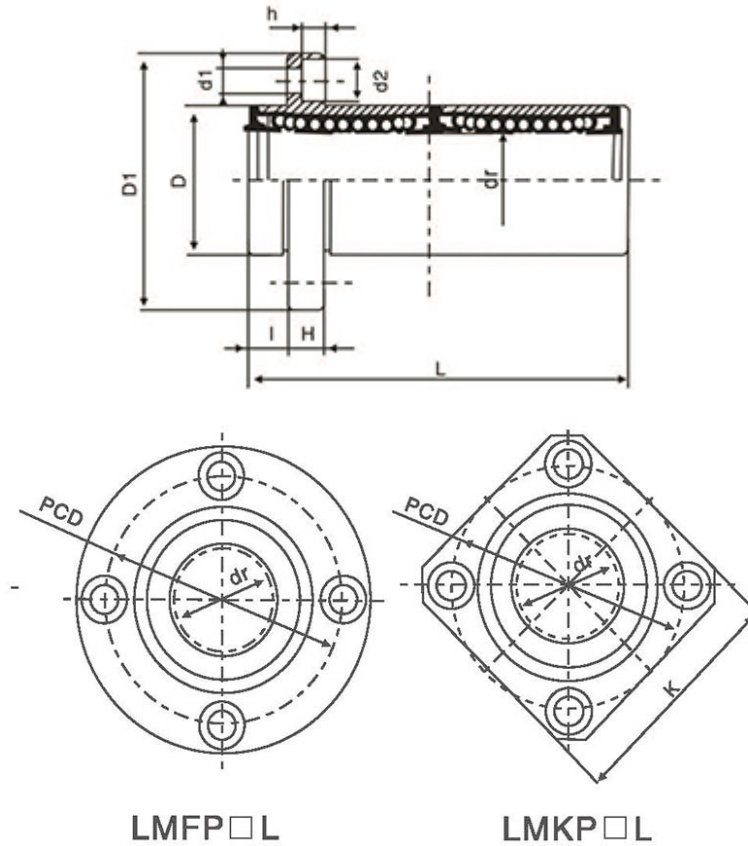
LMFP13UU	4	13		23		32	6	43	34	6	33	4.5X7.5X4.1
LMKP13UU	4	13		23		32	6	43	34	6	33	4.5X7.5X4.1
LMFP16UU	5	16		28		37	6	48	37	6	38	4.5X7.5X4.1
LMKP16UU	5	16		28		37	6	48	37	6	38	4.5X7.5X4.1
LMFP20UU	5	20	0	32	0	42	8	54	42	8	43	5.5x9x5.1
LMKP20UU	5	20	-10	32	-19	42	8	54	42	8	43	5.5x9x5.1
LMFP25UU	6	25		40		59	8	62	50	8	51	5.5x9x5.1
LMKP25UU	6	25		40		59	8	62	50	8	51	5.5x9x5.1
LMFP30UU	6	30		45		64	10	74	58	10	60	6.6x11x6.1
LMKP30UU	6	30		45		64	10	74	58	10	60	6.6x11x6.1
LMFP35UU	6	35		52	0	70	10	82	64	10	67	6.6x11x6.1
LMKP35UU	6	35		52	-22	70	10	82	64	10	67	6.6x11x6.1
LMFP40UU	6	40	0	60		80	13	96	75	13	78	9x14x8.1
LMKP40UU	6	40	-12	60		80	13	96	75	13	78	9x14x8.1
LMFP50UU	6	50		80		100	13	116	92	18	98	9x14x8.1
LMKP50UU	6	50		80		100	13	116	92	18	98	9x14x8.1
LMFP60UU	6	60	0	90	0	110	18	134	106	18	112	11x17x11.1
LMKP60UU	6	60	-15	90	-25	110	18	134	106	18	112	11x17x11.1

Ningbo Amol Machinery Co., Ltd.  
Jiangsu Amol Bearing Co., Ltd.  
Ningbo Amol Intl. Trade Co., Ltd.



# Linear Bush Series

## LMF/KP/L(SMF/K/W-E)



LMF□L

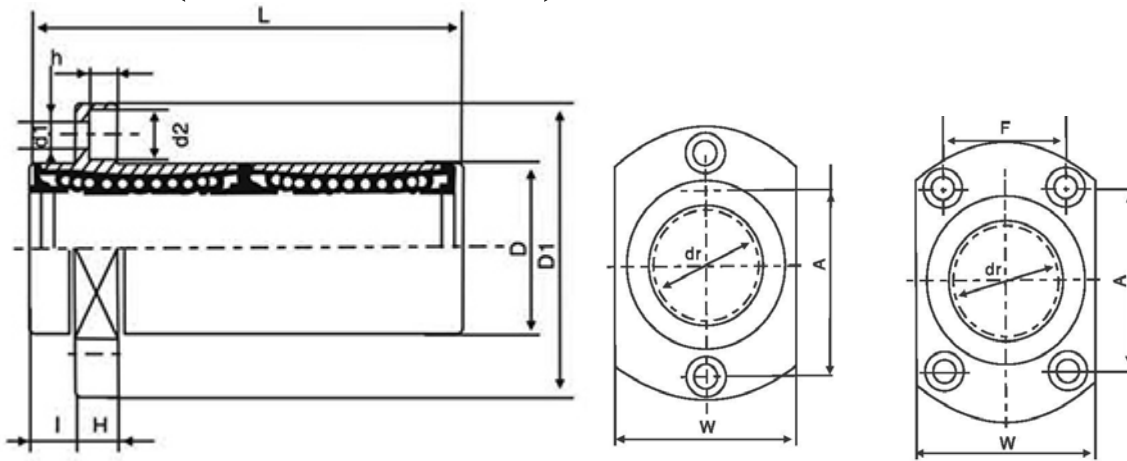
LMKP□L

Part Number		Main Dimensions and Tolerance											Eccentricity
Seal Type	Ball Circuit	dr (mm)	Tolerance (µm)	D (mm)	Tolerance (µm)	L ±0.3 (MM)	I (mm)	D1 (mm)	K (mm)	H (mm)	PCD (mm)	d1xd2xh (mm)	
LMFP6UU	4	6	0	12	0	35	5	28	22	5	20	3.5X6X3.1	15
LMKP6UU	4	6	-10	12	-13	35	5	28	22	5	20	3.5X6X3.1	
LMFP8UU	4	8		15		45	5	32	25	5	24	3.5X6X3.1	
LMKP8UU	4	8		15		45	5	32	25	5	24	3.5X6X3.1	
LMFP10UU	4	10		19	0	55	6	40	30	6	29	4.5X7.5X4.1	
LMKP10UU	4	10		19	-16	55	6	40	30	6	29	4.5X7.5X4.1	
LMFP12UU	4	12		21		57	6	42	32	6	32	4.5X7.5X4.1	
LMKP12UU	4	12		21		57	6	42	32	6	32	4.5X7.5X4.1	
LMFP13UU	4	13		23		61	6	43	34	6	33	4.5X7.5X4.1	
LMKP13UU	4	13		23		61	6	43	34	6	33	4.5X7.5X4.1	
LMFP16UU	5	16		28		70	6	48	37	6	38	4.5X7.5X4.1	

LMKP16UU	5	16		28		70	6	48	37	6	38	4.5X7.5X4.1	
LMFP20UU	5	20	0	32	0	80	8	54	42	8	43	5.5x9x5.1	
LMKP20UU	5	20	-12	32	-19	80	8	54	42	8	43	5.5x9x5.1	20
LMFP25UU	6	25		40		112	8	62	50	8	51	5.5x9x5.1	
LMKP25UU	6	25		40		112	8	62	50	8	51	5.5x9x5.1	
LMFP30UU	6	30		45		123	10	74	58	10	60	6.6x11x6.1	
LMKP30UU	6	30		45		123	10	74	58	10	60	6.6x11x6.1	
LMFP35UU	6	35		52	0	135	10	82	64	10	67	6.6x11x6.1	25
LMKP35UU	6	35		52	-22	135	10	82	64	10	67	6.6x11x6.1	
LMFP40UU	6	40	0	60		151	13	96	75	13	78	9x14x8.1	
LMKP40UU	6	40	-15	60		151	13	96	75	13	78	9x14x8.1	
LMFP50UU	6	50		80		192	13	116	92	13	98	9x14x8.1	
LMKP50UU	6	50		80		192	13	116	92	13	98	9x14x8.1	
LMFP60UU	6	60	0	90	0	209	18	134	106	18	112	11x17.5x10.8	
LMKP60UU	6	60	-20	90	-25	209	18	134	106	18	112	11x17.5x10.8	



# Linear Bush Series LMHP..L(SMT..W-E)

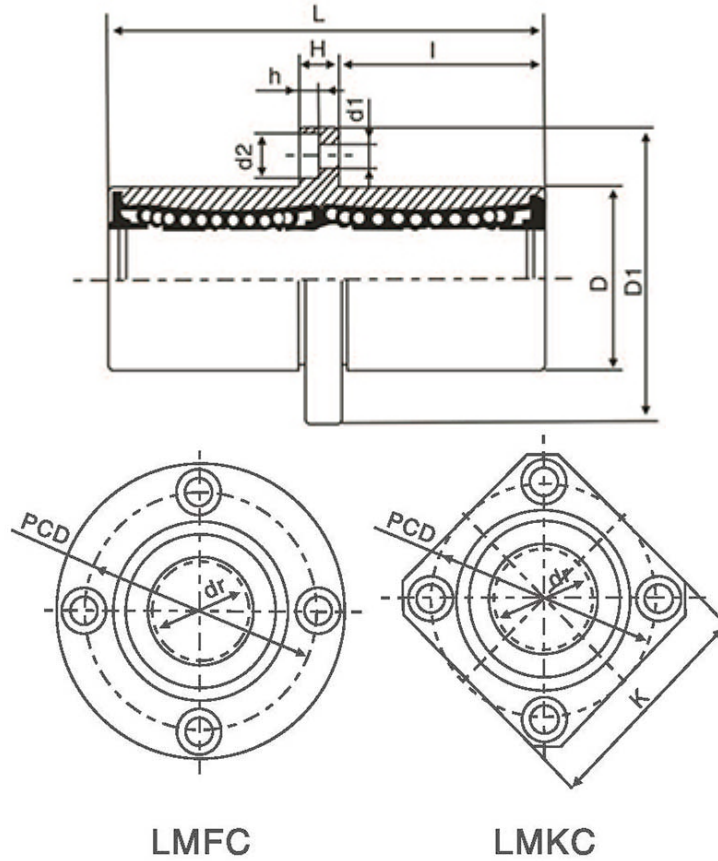


Ball Circuit	Main Dimensions and Tolerance											Eccen- -tricity	Basic L Ratin Dynamic Co N	
	dr (mm)	Tolerance ( $\mu$ m)	D (mm)	Tolerance ( $\mu$ m)	L $\pm 0.3$ (mm)	I (mm)	D1 (mm)	W (mm)	H (mm)	A (mm)	F (mm)			d1xd2xh (mm)
4	6	0	12	0	35	5	28	18	5	20	-	3.5X6X3.1	15	323
4	8	-10	15	-13	45	5	32	21	5	24	-	3.5X6X3.1		431
4	10		19	0	55	6	40	25	6	29	-	4.5X7.5X4.1		588
4	12		21	-16	58	6	42	27	6	32	-	4.5X7.5X4.1		813
4	13		23		61	6	43	29	6	33	-	4.5X7.5X4.1		813
5	16	0	28		70	6	48	34	6	31	22	4.5X7.5X4.1		1230
5	20	-12	32	0	80	8	54	38	8	36	24	5.5X9X5.1	20	1400
6	25		40	-19	112	8	62	46	8	40	32	5.5X9X5.1		1560
6	30		45		123	10	74	51	10	49	35	6.6X11X6.1		2490





# Linear Bush Series LMF/KC(SMF/KC)



LMFC

LMKC

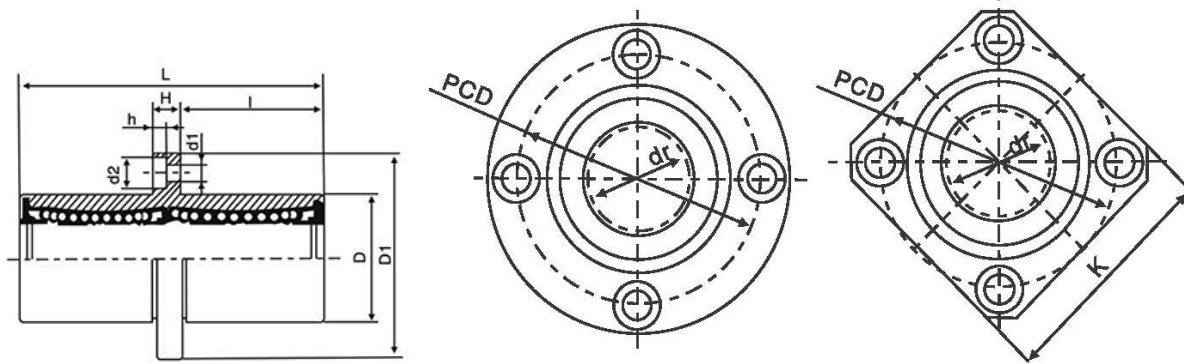
Part Number		Main Dimensions and Tolerance											Eccentricity
Seal Type	Ball Circuit	dr (mm)	Tolerance (µm)	D (mm)	Tolerance (µm)	L ±0.3 (MM)	I (mm)	D1 (mm)	K (mm)	H (mm)	PCD (mm)	d1xd2xh (mm)	
LMFC6UU	4	6	0	12	0	35	15	28	22	5	20	3.5X6X3.1	15
LMKC6UU	4	6	-10	12	-13	35	15	28	22	5	20	3.5X6X3.1	
LMFC8UU	4	8		15		45	20	32	25	5	24	3.5X6X3.1	
LMKC8UU	4	8		15		45	20	32	25	5	24	3.5X6X3.1	
LMFC10UU	4	10		19	0	55	24.5	40	30	6	29	4.5X7.5X4.1	
LMKC10UU	4	10		19	-16	55	24.5	40	30	6	29	4.5X7.5X4.1	
LMFC12UU	4	12		21		57	25.5	42	32	6	32	4.5X7.5X4.1	
LMKC12UU	4	12		21		57	25.5	42	32	6	32	4.5X7.5X4.1	
LMFC13UU	4	13		23		61	27.5	43	34	6	33	4.5X7.5X4.1	
LMKC13UU	4	13		23		61	27.5	43	34	6	33	4.5X7.5X4.1	
LMFC16UU	5	16		28		70	32	48	37	6	38	4.5X7.5X4.1	

LMKC16UU	5	16		28		70	32	48	37	6	38	4.5X7.5X4.1	
LMFC20UU	5	20	0	32	0	80	36	54	42	8	43	5.5x9x5.1	20
LMKC20UU	5	20	-12	32	-19	80	36	54	42	8	43	5.5x9x5.1	
LMFC25UU	6	25		40		112	52	62	50	8	51	5.5x9x5.1	
LMKC25UU	6	25		40		112	52	62	50	8	51	5.5x9x5.1	
LMFC30UU	6	30		45		123	56.5	74	58	10	60	6.6x11x6.1	
LMKC30UU	6	30		45		123	56.5	74	58	10	60	6.6x11x6.1	
LMFC35UU	6	35	0	52	0	135	62.5	82	64	10	67	6.6x11x6.1	25
LMKC35UU	6	35	-15	52	-22	135	62.5	82	64	10	67	6.6x11x6.1	
LMFC40UU	6	40		60		151	69	96	75	13	78	9x14x8.1	
LMKC40UU	6	40		60		151	69	96	75	13	78	9x14x8.1	
LMFC50UU	6	50		80		192	89.5	116	92	13	98	9x14x8.1	
LMKC50UU	6	50		80		192	89.5	116	92	13	98	9x14x8.1	
LMFC60UU	6	60	0	90	0	209	95.5	134	106	18	112	11x17x11.1	30
LMKC60UU	6	60	-20	90	-25	209	95.5	134	106	18	112	11x17x11.1	



# Linear Bush Series

## LMEF/KC(KBF/KC)



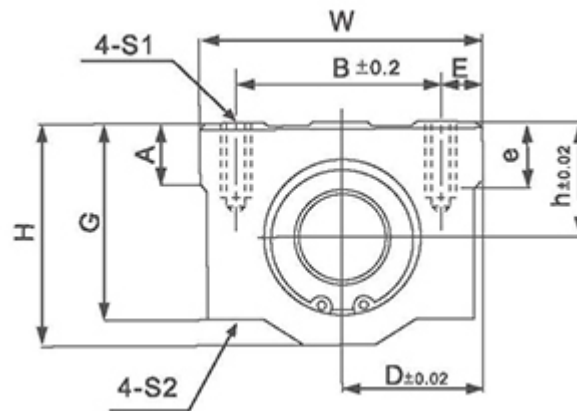
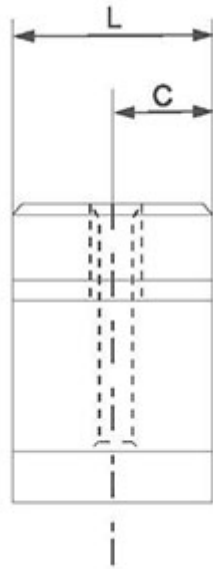
Part Number		Main Dimensions and Tolerance											Ec
Seal Type	Ball Circuit	dr (mm)	Tolerance (µm)	D (mm)	Tolerance (µm)	L (mm) ±0.3	I (mm)	D1 (mm)	K (mm)	H (mm)	PCD (mm)	d1xd2xh (mm)	-tri
LMEFC6UU	4	8	+9 -1	16	0 -13	46	20.5	32	25	5	24	3.5X6X3.1	1
LMEFC8UU	4	12		22	0	61	27.5	42	32	6	32	4.5X7.5X4.1	
LMEFC10UU	4	16	+11	26	-19	68	31	46	35	6	36	4.5X7.5X4.1	
LMEFC12UU	4	20	-1	32	0	80	36	54	42	8	43	5.5X9X5.1	1
LMEFC13UU	4	25	+13	40	-19	112	52	62	50	8	51	5.5X9X5.1	
LMEFC16UU	5	30	-2	47		123	56.5	76	60	10	62	6.6x11.6.1	
LMEFC20UU	5	40	+16	62	0	151	69	98	75	13	80	9x14x8.1	2
LMEFC25UU	6	50	-4	75	-22	192	89.5	112	88	13	94	9x14x8.1	
LMEFC30UU	6	60		90	0	209	95.5	134	106	18	112	11x17x11.1	2

Ningbo Amol Machinery Co., Ltd.  
Jiangsu Amol Bearing Co., Ltd.  
Ningbo Amol Intl. Trade Co., Ltd.



# Linear Bush Series

## SC...V(SMA..S)



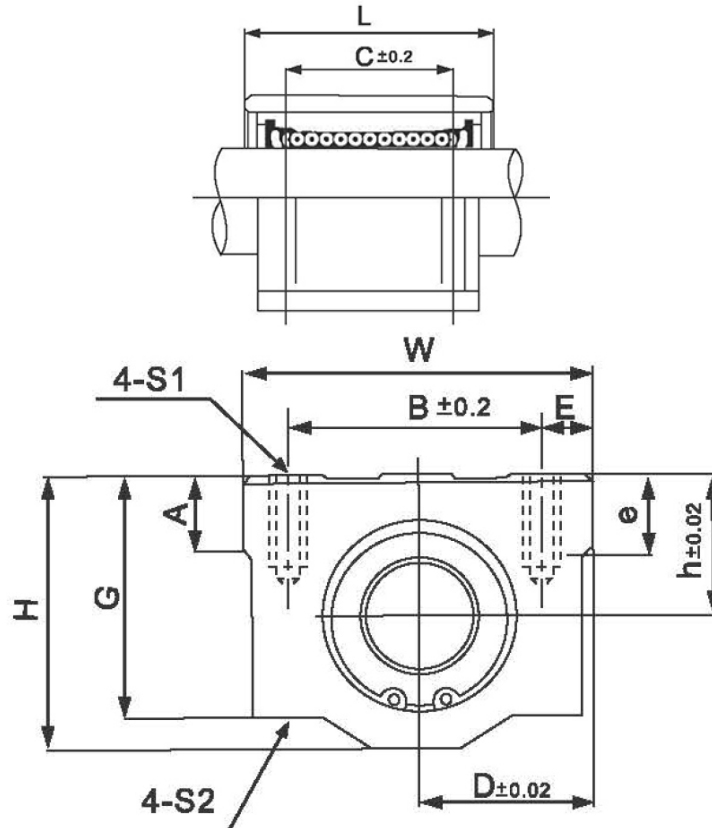
Part Number	Main dimensions and Mounting dimensions									
	h	D	W	H	G	A	B	E	S1xe	S2
SC8VUU	11	17	34	22	18	6	24	5	M4X8	3.4
SC10VUU	13	20	40	26	21	8	28	6	M5X12	4.3
SC12VUU	15	21	42	28	24	8	30.5	5.75	M5X12	4.3
SC13VUU	15	22	44	30	24.5	8	33	5.5	M5X12	4.3
SC16VUU	19	25	50	38.5	32.5	9	36	7	M5X12	4.3
SC20VUU	21	27	54	41	35	11	40	7	M6X12	5.2
SC25VUU	26	38	76	51.5	42	12	54	11	M8X18	7
SC30VUU	30	39	78	59.5	49	15	58	10	M8X18	7
SC35VUU	34	45	90	68	54	18	70	10	M8X18	7
SC40VUU	40	51	102	78	62	20	80	11	M10X25	8.7
SC50VUU	52	61	122	102	80	25	100	11	M10X25	8.7





# Linear Bush Series

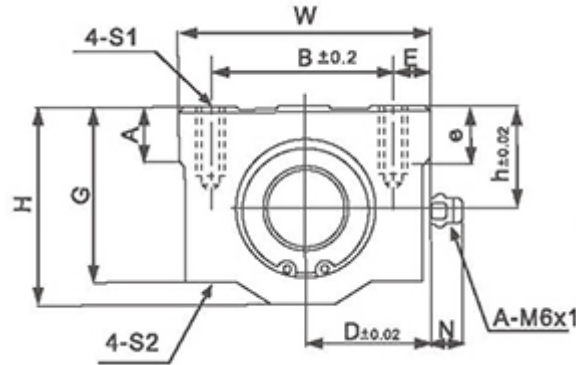
## SC..UU



Part Number	Main dimensions and Mounting dimensions											Basic Load Rating		Weight	
	h	D	W	H	G	A	B	E	S1xe	S2	C	L	Dynamic Co N		Static Co N
SC8UU	11	17	34	22	18	6	24	5	M4x8	3.4	18	30	274	392	52
SC10UU	13	20	40	26	21	8	28	6	M5x12	4.3	21	35	372	549	92
SC12UU	15	21	42	28	24	8	30.5	5.75	M5x12	4.3	26	36	510	784	102
SC13UU	15	22	44	30	24.5	8	33	5.5	M5x12	4.3	26	39	510	784	120
SC16UU	19	25	50	38.5	32.5	9	36	7	M5x12	4.3	34	44	774	1180	200
SC20UU	21	27	54	41	35	11	40	7	M6x12	5.2	40	50	882	1370	255
SC25UU	26	38	76	51.5	42	12	54	11	M8x18	7	50	67	980	1570	600
SC30UU	30	39	78	59.5	49	15	58	10	M8x18	7	58	72	1574	2740	735
SC35UU	34	45	90	68	54	18	70	10	M8x18	7	60	80	1670	3140	1100
SC40UU	40	51	102	78	62	20	80	11	M10x25	8.7	60	90	2160	4020	1590
SC50UU	52	61	122	102	80	25	100	11	M10x25	8.7	80	110	3820	7940	3340



# Linear Bush Series SC..L(SMA..W)



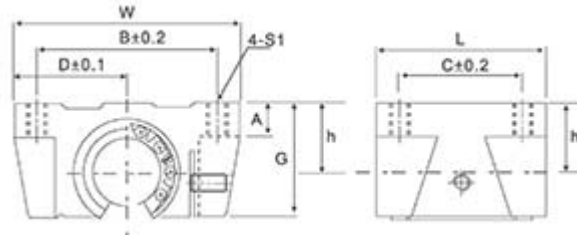
Part Number	Main dimensions and Mounting dimensions												Basic Load Rating		Weight	
	h	D	W	H	G	N	A	B	E	S1xe	S2	C	L	Dynaric		Static
SC8LUU	11	17	34	22	18	7	6	24	5	M4x8	3.4	42	58	431	784	102
SC10LUU	13	20	40	26	21	7	8	28	6	M5x12	4.3	46	68	588	1100	180
SC12LUU	15	21	42	28	24	6.5	8	30.5	5.75	M5x12	4.3	50	70	813	1570	250
SC13LUU	15	22	44	30	24.5	6.5	8	33	5.5	M5x12	4.3	50	75	813	1570	240
SC16LUU	19	25	50	38.5	32.5	6	9	36	7	M5x12	4.3	60	85	1230	2350	400
SC20LUU	21	27	54	41	35	7	11	40	7	M6x12	5.2	70	96	1410	2740	570
SC25LUU	26	38	76	51.5	42	4	12	54	11	M8x18	7	100	130	1610	3140	1200
SC30LUU	30	39	78	59.5	49	5	15	58	10	M8x18	7	110	140	2450	5490	1480
SC35LUU	34	45	90	68	54	5.5	18	70	10	M8x18	7	120	155	2650	6270	2200
SC40LUU	40	51	102	78	62	5	20	80	11	M10x25	8.7	140	175	3430	8040	3200
SC50LUU	52	61	112	102	80	5	25	100	11	M10x25	8.7	160	215	6080	15900	6700

Ningbo Amol Machinery Co., Ltd.  
Jiangsu Amol Bearing Co., Ltd.  
Ningbo Amol Intl. Trade Co., Ltd.



# Linear Bush Series

## TBR



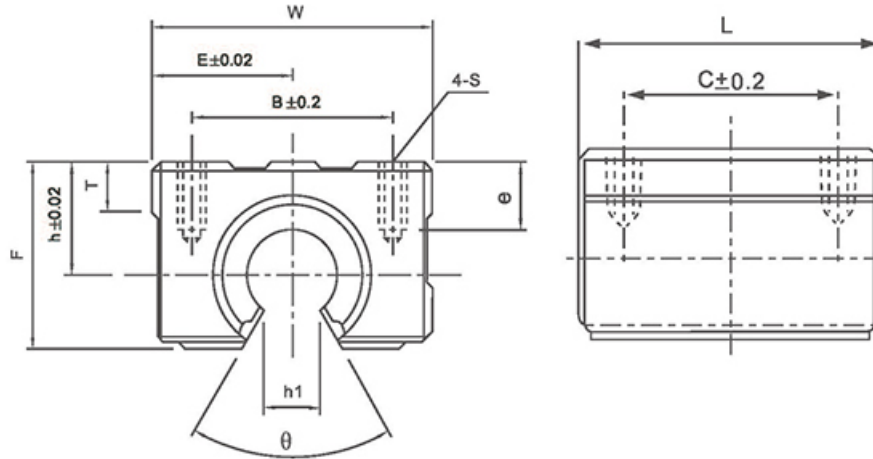
Part Number	Main dimensions and Mounting dimenions									Basic Load Rating		Weight
	W	G	A	L	B	D	C	h	S1	Dynamic Co N	Static Co N	
TBR16UU	62	26	8	42	50	31	30	18	M5	392	490	180
TBR20UU	68	31	10	51	54	34	37	21	M6	784	1176	300
TBR25UU	82	41	12	65	65	41	50	28	M8	1568	2352	600
TBR30UU	91	48	12	75	75	45.5	60	33.5	M8	1764	2940	900

Ningbo Amol Machinery Co., Ltd.  
Jiangsu Amol Bearing Co., Ltd.  
Ningbo Amol Intl. Trade Co., Ltd.



# Linear Bush Series

## SBR



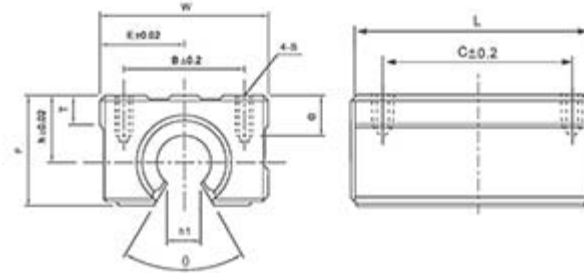
Part Number	Shaft Diameter	Main dimensions and Mounting dimensions											Basic Load Rating		Weight	
		h	E	W	L	F	T	h1	θ	B	C	S	E	Dyraric Co N		Static Co N
SBR10UU	10	15	18	36	32	24	7	6	80°	25	20	M5	10	38	56	65
SBR12UU	12	17	20	40	39	27.6	8	8.5	80°	28	26	M5	10	42	61	100
SBR13UU	13	17	20	40	39	27.6	8	8.5	80°	28	26	M5	10	52	80	100
SBR16UU	16	20	22.5	45	45	33	9	10	80°	32	30	M5	12	59	91	150
SBR20UU	20	23	24	48	50	39	11	10	60°	35	35	M6	12	88	140	200
SBR25UU	25	27	30	60	65	47	14	11.5	50°	40	40	M6	12	100	160	450
SBR30UU	30	33	35	70	70	56	15	14	50°	50	50	M8	18	160	280	630
SBR35UU	35	37	40	80	80	63	18	16	50°	55	55	M8	18	170	320	920
SBR40UU	40	42	45	90	90	72	20	19	50°	65	65	M10	20	220	410	1330
SBR50UU	50	53	60	120	110	92	25	23	50°	94	80	M10	20	390	810	3000





# Linear Bush Series

## SBR..L

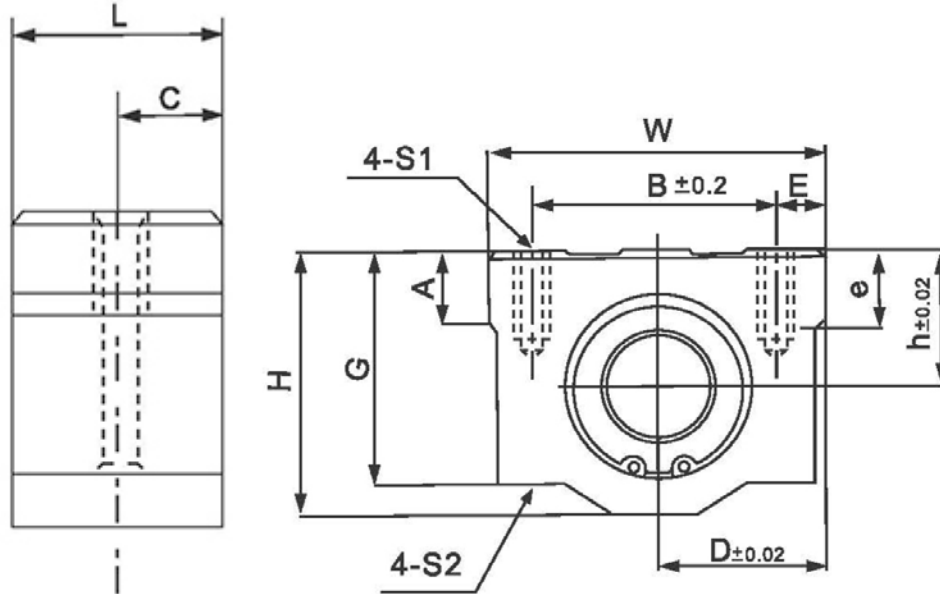


Part Number	Shaft Diameter	Main dimensions and Mounting dimenions												Basic Load Rating		Weight
		h	E	W	L	F	T	h1	$\theta$	B	C	S	e	Dynamic Co N	Static Co N	
SBR10LUU	10	15	18	36	68	24	7	6	80°	25	46	M5	10	38	56	130
SBR12LUU	12	17	20	40	75	27.6	8	8.5	80°	28	50	M5	10	42	61	200
SBR16LUU	16	20	22.5	45	85	33	9	10	80°	32	60	M5	12	52	80	300
SBR20LUU	20	23	24	48	96	39	11	10	60°	35	70	M6	12	59	91	400
SBR25LUU	25	27	30	60	130	47	14	11.5	50°	40	100	M6	12	88	140	900
SBR30LUU	30	33	35	70	140	56	15	14	50°	50	110	M8	18	100	160	1260
SBR35LUU	35	37	40	80	160	63	18	16	50°	55	120	M8	18	160	280	1800
SBR40LUU	40	42	45	90	175	72	20	19	50°	65	140	M10	20	170	320	2660
SBR50LUU	50	53	60	120	215	92	25	23	50°	94	160	M10	20	220	410	6000

Ningbo Amol Machinery Co., Ltd.  
Jiangsu Amol Bearing Co., Ltd.  
Ningbo Amol Intl. Trade Co., Ltd.



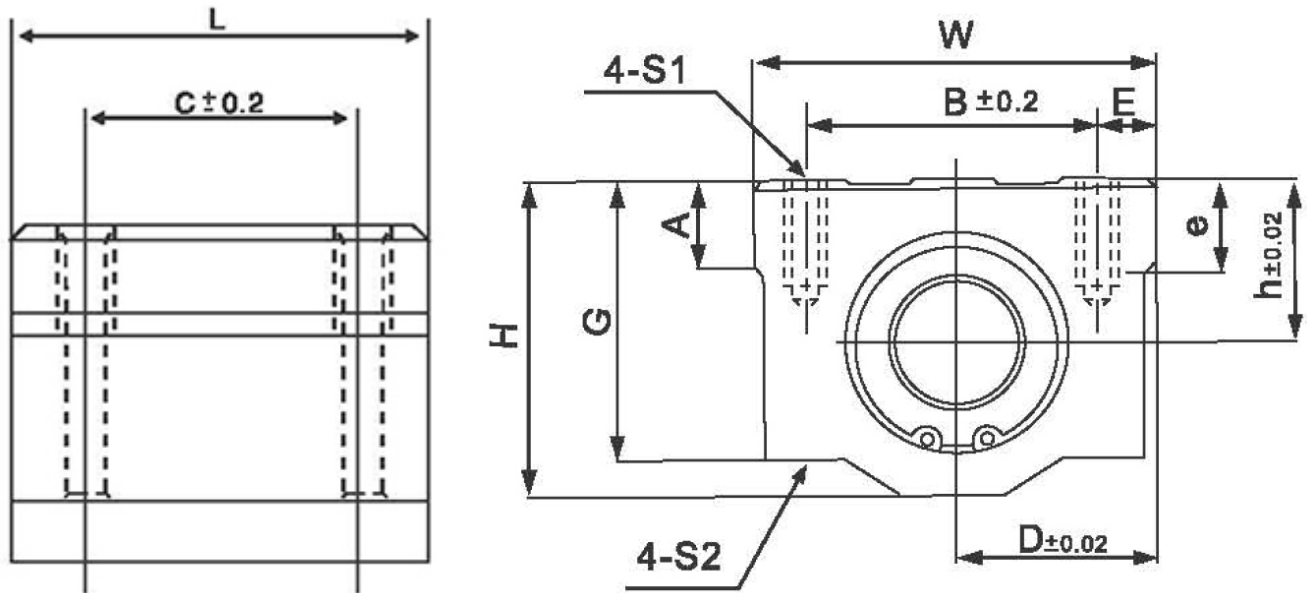
# Linear Bush Series SCE..V(SCE..V)



Part Number	Main dimensions and Mounting dimensions												Basic Load Rating		Weight
	h	D	W	H	G	A	B	E	S1xe	S2	C	L	Dynanc Co N	Static Co N	
SCE8VUU	11	17	34	22	18	6	24	5	M4x8	3.4	7.2	14.4	274	392	25
SCE12VUU	15	22	44	30	24.5	8	33	5.5	M5x12	4.3	10.4	20.8	510	784	65
SCE16VUU	19	25	50	38.5	32.5	9	36	7	M6x12	4.3	11.2	22.4	774	1180	100
SCE20VUU	21	27	54	41	35	11	40	7	M6x12	5.2	14.5	29	882	1370	148
SCE25VUU	26	38	76	51.5	42	12	54	11	M8x18	7	20.45	40.9	980	1570	368
SCE30VUU	30	39	78	59.5	49	15	58	10	M8x18	7	24.45	48.9	1574	2740	500
SCE40VUU	40	51	102	78	62	20	80	11	M10x25	8.7	28.2	56.4	2160	4020	1000
SCE50VUU	52	61	122	102	80	25	100	11	M10x25	8.7	36.2	72.4	3820	7940	2205



# Linear Bush Series SCE(SCE)



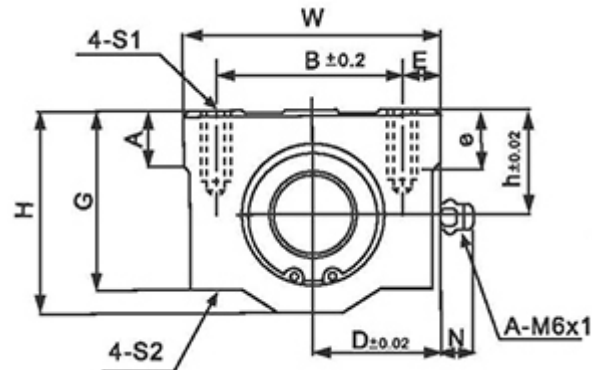
Part Number		Main dimensions and Mounting dimensions												Weight	
Seal Type	Shaft Diameter	h	D	W	L	H	G	A	B	C	E	S1xe	S2		
	SCE8UU	8	11	17	34	30	22	18	6	24	18	5	M4x8	3.4	98
	SCE12UU	12	15	22	44	39	30	24.5	8	33	26	5.5	M5x12	4.3	120
	SCE16UU	16	19	25	50	44	38.5	32.5	9	36	34	7	M5x12	4.3	200
	SCE20UU	20	21	27	54	53	41	35	11	40	40	7	M6x12	5.2	270
	SCE25UU	25	26	38	76	67	51.5	42	12	54	50	11	M8x18	7	600
	SCE30UU	30	30	39	78	76	59.5	49	15	58	58	10	M8x18	7	776
	SCE40UU	40	40	51	102	90	78	62	20	80	60	11	M10x25	8.7	1590
	SCE50UU	50	52	61	122	110	102	80	25	100	80	11	M10x25	8.7	3340
	SCE60UU	60	58	66	132	137	114	94	30	108	90	12	M12x25	10.7	4800

Ningbo Amol Machinery Co., Ltd.  
Jiangsu Amol Bearing Co., Ltd.  
Ningbo Amol Intl. Trade Co., Ltd.



# Linear Bush Series

## SCE..L



Part Number		Main dimensions and Mounting dimensions											Weight	
Seal Type	Shaft Diameter	h	D	W	L	H	G	A	B	C	E	S1xe	S2	
SCE8LUU	8	11	17	34	58	22	18	6	24	46	5	M4x8	3.4	160
SCE12LUU	12	15	22	44	77	30	24.5	8	33	64	5.5	M5x12	4.3	237
SCE16LUU	16	19	25	50	89	38.5	32.5	9	36	79	7	M5x12	4.3	405
SCE20LUU	20	21	27	54	100	41	35	11	40	90	7	M6x12	5.2	510
SCE25LUU	25	26	38	76	136	51.5	42	12	54	119	11	M8x18	7	1220
SCE30LUU	30	30	39	78	154	59.5	49	15	58	132	10	M8x18	7	1580
SCE40LUU	40	40	51	102	180	78	62	20	80	150	11	M10x25	8.7	3180
SCE50LUU	50	52	61	122	230	102	80	25	100	200	11	M10x25	8.7	6990

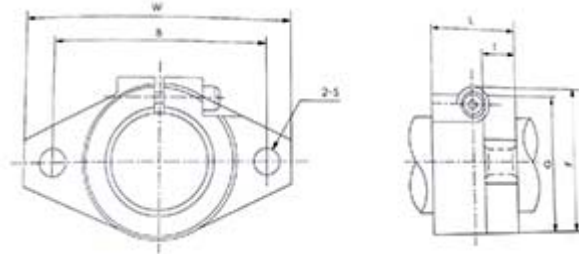
Ningbo Amol Machinery Co., Ltd.  
Jiangsu Amol Bearing Co., Ltd.  
Ningbo Amol Intl. Trade Co., Ltd.





# Linear Bush Series

## SHF



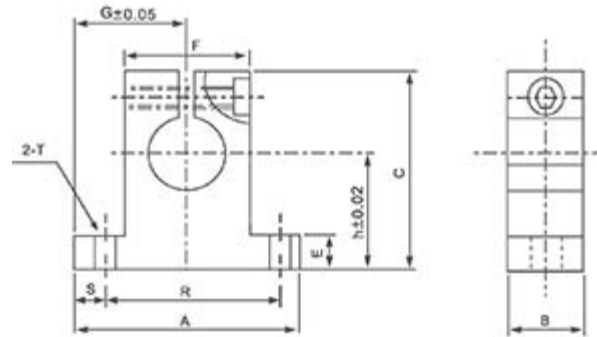
Part Number	Shaft Diameter	Main dimensions and Mounting dimenions							Clamping bolt designation	Mounting bolt designation	Weight
		W	L	T	B	G	F	S			
SHF-8	8	43	10	10	32	20	24	5.5	M4	M5	13
SHF-10	10	43	10	10	32	20	24	5.5	M4	M5	13
SHF-12	12	47	13	5	36	25	28	5.5	M4	M5	20
SHF-13	13	47	13	5	36	25	28	5.5	M4	M5	20
SHF-16	16	50	16	6	40	28	31	5.5	M4	M5	27
SHF-20	20	60	20	8	48	34	37	7	M5	M6	40
SHF-25	25	70	25	10	56	40	42	7	M6	M6	60
SHF-30	30	80	30	12	64	46	50	9	M6	M8	110
SHF-35	35	92	35	14	72	50	58	12	M8	M10	380
SHF-40	40	105	40	16	80	56	67	12	M10	M10	510
SHF-50	50	122	50	19	96	70	83	14	M12	M12	890

Ningbo Amol Machinery Co., Ltd.  
Jiangsu Amol Bearing Co., Ltd.  
Ningbo Amol Intl. Trade Co., Ltd.



# Linear Bush Series

## SK(SH-A)



Part Number	Shaft Diameter	Main dimensions and Mounting dimenions										Clamping bolt designation	Mounting bolt designation	Weight
		h	G	A	B	C	E	F	R	S	T			
SK-8	8	20	21	42	14	32.8	6	18	32	5	5.5	M4	M5	24
SK-10	10	20	21	42	14	32.8	6	18	32	5	5.5	M4	M5	24
SK-12	12	23	21	42	14	37.5	6	20	32	5	5.5	M4	M5	30
SK-13	13	23	21	42	14	37.5	6	20	32	5	5.5	M4	M5	30
SK-16	16	27	24	48	16	44	8	25	38	5	5.5	M4	M5	40
SK-20	20	31	30	60	20	51	10	30	45	7.5	6.6	M5	M6	70
SK-25	25	35	35	70	24	60	12	38	56	7	6.6	M6	M6	130
SK-30	30	42	42	84	28	70	12	44	64	10	9	M6	M8	180
SK-35	35	50	49	98	32	82	15	50	74	12	11	M8	M10	270
SK-40	40	60	57	114	36	96	15	60	90	12	11	M8	M10	420
SK-50	50	70	63	126	40	120	18	74	100	13	14	M12	M12	750