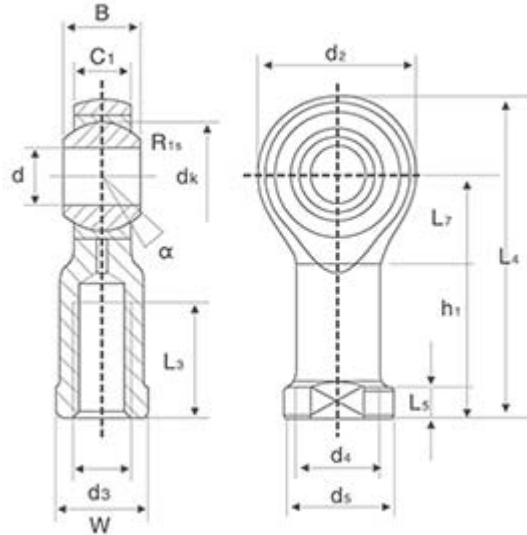


Ningbo Amol Machinery Co., Ltd.  
Jiangsu Amol Bearing Co., Ltd.  
Ningbo Amol Intl. Trade Co., Ltd.





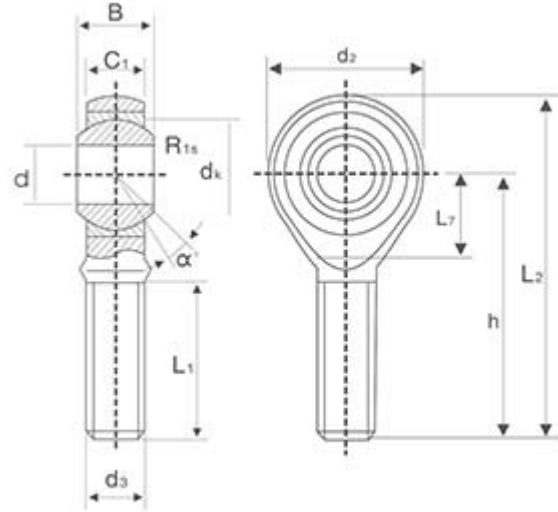
Part Number	Dimensions (mm)														Load ratings (KN)		Weight (g)
	d	d3	B	C1	W	h1	d2	L4	L5	d4	d5	dk	L3min	$\alpha$	dyn.c	stat.c0	
SI5T/K	5	M5*0.8	8	6	9	27	18	36	4	8.5	11	11.11	10	13	5.70	6.00	17.5
SI6T/K	6	M6*1.0	9	6.75	11	30	20	40	5	10	13	12.70	12	13	7.20	7.65	25
SI8T/K	8	M8*1.25	12	9	14	36	24	48	5	12.5	16	15.875	16	14	11.6	12.9	49
SI10T/K	10	M10*1.5	14	10.5	17	43	28	57	6.5	15	19	19.05	20	13	14.5	18.0	74.6
SI10-1T/K	10	M10*1.25	14	10.5	17	43	28	57	6.5	15	19	19.05	20	13	14.5	18.0	77
SI12T/K	12	M12*1.75	16	12	19	50	32	66	6.5	17.5	22	22.225	22	13	17.0	24.0	107
SI12-1T/K	12	M12*1.25	16	12	19	50	32	66	6.5	17.5	22	22.225	22	13	17.0	24.0	107
SI14T/K	14	M14*2.0	19	13.5	22	57	36	75	8	20	25	25.40	25	16	24.0	31.0	163
SI14-1T/K	14	M14*1.5	19	13.5	22	57	36	75	8	20	25	25.40	25	16	24.0	31.0	163
SI16T/K	16	M16*2.0	21	15	24	64	40	84	8	22	27	28.575	28	15	28.5	39.0	216
SI16-1T/K	16	M16*1.5	21	15	24	64	40	84	8	22	27	28.575	28	15	28.5	39.0	216
SI18T/K	18	M18*1.5	23	16.5	27	71	44	93	10	25	31	31.75	32	15	42.5	47.5	303
SI20T/K	20	M20*1.5	25	18	30	77	50	102	10	27.5	34	34.295	33	14	42.5	57.0	386
SI22T/K	22	M22*1.5	28	20	32	84	54	111	12	30	38	38.10	37	15	57.0	68.0	500
SI25T/K	25	M24*2.0	31	22	36	94	60	124	12	33.5	42	42.85	42	15	68.0	85.0	645
SI28T/K	28	M27*2.0	35	24	41	103	66	136	14	37	46	47.60	51	15	86.0	107.0	714
SI30T/K	30	M30*2.0	37	25	41	110	70	145	15	40	50	50.80	51	17	88.0	114.0	1105
SI30-1T/K	30	M27*2.0	37	25	41	110	70	145	15	40	50	50.80	51	17	88.0	114.0	1105
SI35T/K	35	M36*2.0	43	28	50	125	81	165.5	17	46	58	57.10	56	16	101	206	1600
SI40T/K	40	M42*2.0	49	33	55	142	91	187.5	19	53	65	66.60	60	17	124	280	2400
SI50T/K	50	M48*2.0	60	45	65	160	117	218.5	23	65	75	82.50	65	12	308	485	5000

●For left-hand thread, please add suffix "L", e.g. SIL 18 T/K.

●If need the stainless steel material please add "S" in front of the model for example: SS 18 T/K.

Ningbo Amol Machinery Co., Ltd.  
Jiangsu Amol Bearing Co., Ltd.  
Ningbo Amol Intl. Trade Co., Ltd.





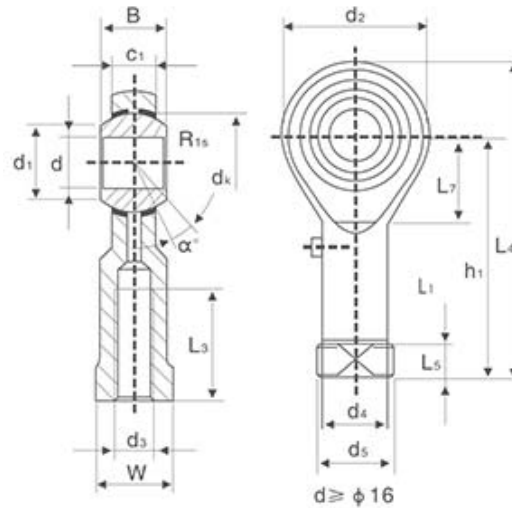
Part Number	Dimensions (mm)												Load ratings (KN)		Weight (g)
	d	d3	B	C1	L1min	d2	L7	h	L2	dk	R1s	$\alpha \approx$	dyn.c	stat.c0	
SA5T/K	5	M5*0.8	8	6	19	18	-	33	42	11.11	0.3	13	5.70	6.00	14.5
SA6T/K	6	M6*1.0	9	6.75	21	20	-	36	46	12.70	0.3	13	7.20	7.65	19.5
SA8T/K	8	M8*1.25	12	9	25	24	-	42	54	15.875	0.3	14	11.6	12.9	36.5
SA10T/K	10	M10*1.5	14	10.5	28	28	-	48	62	19.05	0.3	13	14.5	18.0	60
SA12T/K	12	M12*1.75	16	12	32	32	-	54	78	22.225	0.3	13	17.0	24.0	95
SA14T/K	14	M14*2.0	19	13.5	36	36	18	60	78	25.40	0.3	16	24.0	31.0	146
SA16T/K	16	M16*2.0	21	15	37	40	21	66	78	25.40	0.3	15	28.5	39.0	188
SA18T/K	18	M18*1.5	23	16.5	41	44	22	72	94	31.75	0.3	15	42.5	47.5	277
SI20T/K	20	M20*1.5	25	20	48	54	27	78	103	34.925	0.3	14	42.5	57.0	356
SI22T/K	22	M22*1.5	28	20	48	54	27	84	111	38.10	0.3	15	57.0	68.0	457
SI25T/K	25	M24*2.0	31	22	55	60	30	94	124	42.85	0.3	15	68.0	85.0	607
SI28T/K	28	M27*2.0	35	24	62	66	33	103	136	47.60	0.3	15	86.0	107.0	830.5
SI30T/K	30	M30*2.0	37	25	66	70	35	110	145	50.80	0.3	17	88.0	114.0	1003
SI35T/K	35	M36*2.0	43	28	85	81	41	140	180.5	57.10	0.3	16	101	206	1640
SI40T/K	40	M42*2.0	49	33	90	91	46	150	195.5	66.60	0.3	17	124	280	2300
SI50T/K	50	M48*2.0	60	45	105	117	59	185	243.5	82.50	0.3	12	308	485	4800

•For left-hand thread, please add suffix "L", e.g. SAL 18 T/K.

•If need the stainless steel material please add "S" in front of the model for example: SSA 8 T/K.

Ningbo Amol Machinery Co., Ltd.  
Jiangsu Amol Bearing Co., Ltd.  
Ningbo Amol Intl. Trade Co., Ltd.





Part Number	Dimensions (mm)															Load ratings (KN)		Weight (g)
	d	d3	B	C1	W	L3min	d2	L4	h1	L5	d4	d5	dk	d1	$\alpha \approx$	dyn.c	stat.c0	
PHS 5	5	M5*0.8	8	6	9	10	16	35	27	4	8.5	11	11.11	7.70	13	3.25	5.70	15.2
PHS 6	6	M6*1.0	9	6.75	11	12	18	39	30	5	10.0	13	12.7	8.96	13	4.30	7.20	22.3
PHS 8	8	M8*1.25	12	9	14	16	22	47	36	5	12.5	16	15.875	10.4	14	7.20	11.6	42.2
PHS 10	10	M10*1.5	14	10.5	17	20	26	56	43	6.5	15.0	19	19.05	12.9	13	10.0	14.5	68.6
PHS 10-1	10	M10*1.25	14	10.5	17	20	26	56	43	6.5	15.0	19	19.05	12.9	13	10.0	14.5	68.6
PHS 12	12	M12*1.75	16	12	19	22	30	65	50	6.5	17.5	22	22.225	15.4	13	13.4	17.0	104
PHS 12-1	12	M12*1.25	16	12	19	22	30	65	50	6.5	17.5	22	22.225	15.4	13	13.4	17.0	104
PHS 14	14	M14*2.0	19	13.5	22	25	34	74	57	8	20.0	25	25.4	16.9	16	17.0	24.0	143.5
PHS 14-1	14	M14*1.5	19	13.5	22	25	34	74	57	8	20.0	25	25.4	16.9	16	17.0	24.0	143.5
PHS 16	16	M16*2.0	21	15	24	28	38	83	64	8	22.0	27	28.575	19.4	15	21.6	28.5	197.5
PHS 16-1	16	M16*1.5	21	15	24	28	38	83	64	8	22.0	27	28.575	19.4	15	21.6	28.5	197.5
PHS 18	18	M18*1.5	23	16.5	27	32	42	92	71	10	25.0	31	31.75	21.9	15	26.0	42.5	279
PHS 20	20	M20*1.5	25	18	30	33	46	100	77	10	27.5	34	34.925	24.4	14	31.5	42.5	350
PHS 22	22	M22*1.5	28	20	32	37	50	111	84	12	30.0	38	38.10	25.8	15	38.0	57.0	478
PHS 25	25	M24*2.0	31	22	36	42	60	124	94	12	33.5	42	42.85	29.6	15	47.5	68.0	688
PHS 28	28	M27*2.0	35	24	41	48	66	136	103	14	37.0	46	47.6	32.3	15	58.0	78.5	929
PHS 30	30	M30*2.0	37	25	41	51	70	145	110	15	40.0	50	50.8	34.8	17	64.0	88.0	1076
PHS 30-1	30	M27*2.0	37	25	41	51	70	145	110	15	40.0	50	50.8	34.8	17	64.0	88.0	1076

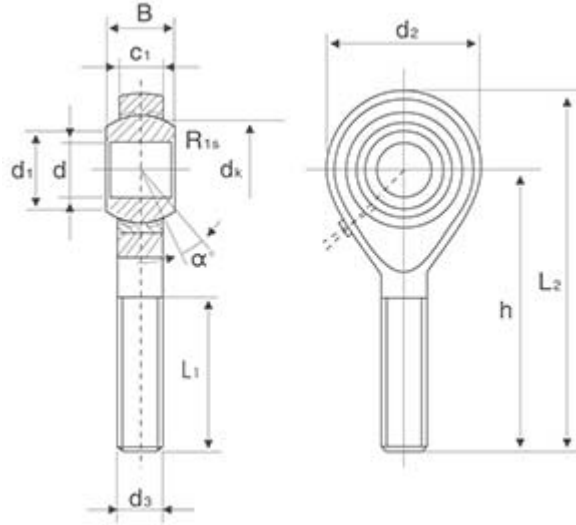
●For left-hand thread, please add suffix "L", e.g. PHS L 8.

●If need the stainless steel material please to add "S" in front of the model for example: SPHS 8.



Ningbo Amol Machinery Co., Ltd.  
Jiangsu Amol Bearing Co., Ltd.  
Ningbo Amol Intl. Trade Co., Ltd.





Part Number	Dimensions (mm)											Load ratings (KN)		Weight (g)	
	d	d3	B	C1	L1	d2	h	L2	dk	R1s	d1	$\alpha$	dyn.c		stat.c0
POS 5	5	M5*0.8	8	6	20	16	33	41	11.11	0.3	7.70	13	3.25	5.70	12
POS 6	6	M6*1.0	9	6.75	22	18	36	45	12.70	0.3	8.96	13	4.30	7.20	16.9
POS 8	8	M8*1.25	12	9	25	22	42	53	15.875	0.3	10.4	14	7.20	11.6	33.4
POS 10	10	M10*1.5	14	10.5	29	26	48	61	19.05	0.3	12.9	13	10.0	14.5	54.7
POS 12	12	M12*1.75	16	12	33	30	54	69	22.225	0.3	15.4	13	13.4	17.0	84.3
POS 14	14	M14*2.0	19	13.5	36	34	60	77	25.40	0.3	16.9	16	17.0	24.0	126.6
POS 16	16	M16*2.0	21	15	40	38	66	85	28.575	0.3	19.4	15	21.6	28.5	175.5
POS 18	18	M18*1.5	23	16.5	44	42	72	94	31.75	0.3	21.9	15	26.0	42.5	243
POS 20	20	M20*1.5	25	18	47	46	78	101	34.925	0.3	24.4	15	31.5	52.5	317
POS 22	22	M22*1.5	28	20	51	50	84	111	38.10	0.3	25.8	15	38.0	57.0	410
POS 25	25	M24*2.0	31	22	57	60	94	124	42.85	0.3	29.6	15	47.5	68.0	616.5
POS 28	28	M28*2.0	35	24	62	66	103	136	47.60	0.3	32.3	15	58.0	75.5	836.5
POS 30	30	M30*2.0	37	25	66	70	110	145	50.80	0.3	34.8	17	64.0	88.0	1020

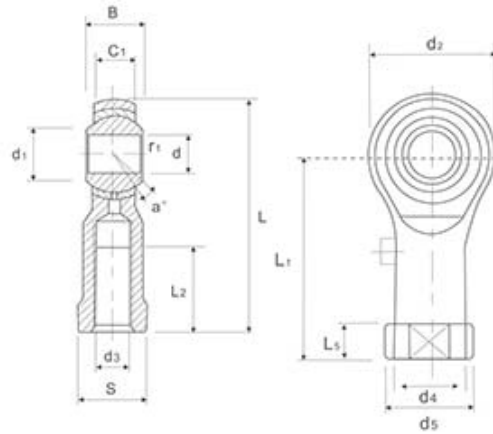
●For left-hand thread, please add suffix "L", e.g. POSL 8.

●If need the stainless steel material please to add "S" in front of the model for example: SPOS 8.



Ningbo Amol Machinery Co., Ltd.  
Jiangsu Amol Bearing Co., Ltd.  
Ningbo Amol Intl. Trade Co., Ltd.





Part Number	Dimensions (mm)													a°	Weight (g)
	d	d2	B	C1	S	d3	d5	L	L1	L2	d1	Cd	Cs		
PHSB 3	.1900	.6250	.312	.250	.312	0.19	.406	1.38	1.06	.562	.306	780	2090	13	14
	4.826	15.88	7.92	6.35	7.92	3/16-32UNF	10.3	34.9	27	14.3	7.77				
PHSB 4	.250	.7500	.375	.281	.375	0.25	.468	1.69	1.31	.75	.355	1030	3040	13	24.5
	6.350	19.05	9.53	7.14	9.53	1/4	11.8	42.9	33.3	19.1	9.02				
PHSB 5	.312	.8750	.437	.344	.437	0.3125	.500	1.81	1.38	.750	.447	1530	3800	13	35
	7.9385	22.23	11.10	8.74	11.10	5/16	12.7	46	34.9	19.1	11.35				
PHSB 6	.375	1.000	.500	.406	.562	0.375	.687	2.13	1.63	.937	.517	2080	4980	13	59.5
	0	25.40	12.70	10.31	14.27	7/16	17.5	54	41.3	23.8	13.13				
PHSB 7	.437	1.125	.562	.437	.625	0.4375	.750	2.38	1.81	1.06	.586	2520	6020	13	77
	5	28.58	14.27	11.10	15.88	7/16	19.1	60.3	46	27	14.88				
PHSB 8	.500	1.312	.625	.500	.750	0.5	.875	2.78	2.13	1.19	.698	3330	8370	13	129
	0	33.32	15.88	12.70	19.05	1/2	22.2	70.6	54	30.2	17.73				
PHSB 10	.625	1.500	.750	.562	.875	0.625	1.00	3.25	2.50	1.5	.839	4500	9050	13	189
	15.88	38.10	19.05	14.27	22.23	5/8	25.4	82.6	63.5	38.1	21.31				
PHSB 12	.750	1.750	.875	.687	1.000	0.75	1.13	3.75	2.88	1.75	.978	6410	12700	13	284
	19.050	44.46	22.23	17.45	25.4	3/4	28.6	95.3	73	44.5	28.84				
PHSB 16	1.00	2.750	1.375	1.000	1.500	1.25	1.75	5.5	4.13	2.13	1.269	13300	19500	13	973
	25.400	69.85	34.93	25.10	38.10	1 1/4	44.5	140	105	54	32.23				

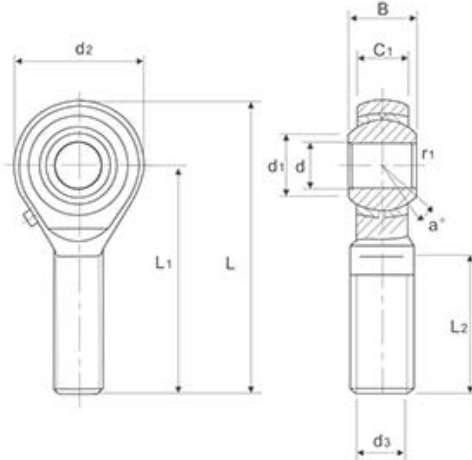
●For left-hand thread suffix“L”is added to bearings number and thread signeg POSB6L M3/8\*24gL

●The surface of sphrical plain with a bronze line

●To plate zine on the surace of rod body the housing with a lubrication or agrease nipple.

Ningbo Amol Machinery Co., Ltd.  
Jiangsu Amol Bearing Co., Ltd.  
Ningbo Amol Intl. Trade Co., Ltd.





Part Number	Dimensions (mm)											a <sup>≈</sup>	Weight (g)
	d	d2	B	C1	d3	L	L1	L2	d1	Cd	Cs		
POSB 3	.1900	.6250	.312	.250	0.19	1.536	1.250	.750	.306	780	2090	13	14
	4.826	15.88	7.92	6.35	3/16/-32UNF	-	-	-	-	-	-		
POSB 4	.250	.7500	.375	.281	0.25	1.937	1.562	1.000	.355	1030	3040	13	18.5
	6.350	19.05	9.53	7.14	1/4	-	-	-	-	-	-		
POSB 5	.312	.8750	.437	.344	0.3125	2.312	1.875	1.250	.447	1530	3800	13	34
	7.9385	22.23	11.10	8.74	5/16	-	-	-	-	-	-		
POSB 6	.375	1.000	.500	.406	0.375	2.438	1.938	1.250	.517	2080	4980	13	53
	0	25.40	12.70	10.31	7/16	-	-	-	-	-	-		
POSB 7	.437	1.125	.562	.437	0.4375	2.688	2.125	1.375	.586	2520	6020	13	74
	5	28.58	14.27	11.10	7/16	-	-	-	-	-	-		
POSB 8	.500	1.312	.625	.500	.5	3.094	2.1438	1.500	.698	3330	8370	13	115
	0	33.32	15.88	12.70	1/2	-	-	-	-	-	-		
POSB 10	.625	1.500	.750	.562	0.625	3.375	2.625	1.625	.893	4500	9050	13	175
	15.88	38.10	19.05	14.27	5/8	-	-	-	-	-	-		
POSB 12	.750	1.750	.875	.687	0.75	3.750	2.875	1.750	.978	6410	12700	13	279
	19.050	44.46	22.23	17.45	3/4	-	-	-	-	-	-		
POSB 16	1.00	2.750	1.375	1.000	1.25	5.500	4.125	2.125	1.269	13300	19500	13	1106.5
	25.400	69.85	34.93	25.10	1 1/4	-	-	-	-	-	-		
					-12UNG	139.7	104.8	53.98	32.23				

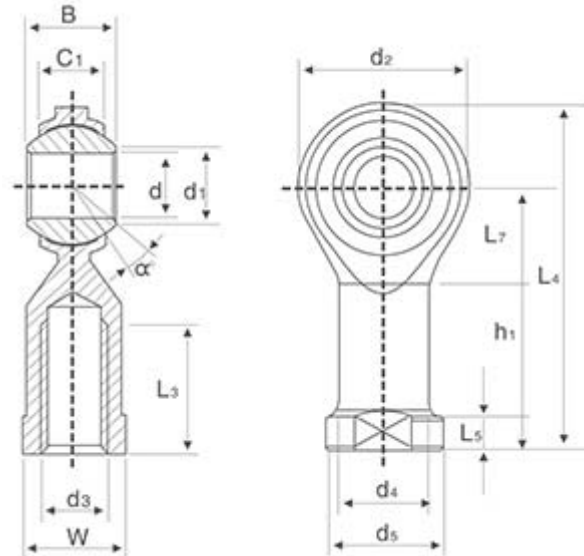
●For left-hand thread suffix“L”is added to bearings number and thread signeg POSB6L M3/8\*24gL

●The surface of sphrical plain with a bronze line

●To plate zine on the surace of rod body the housing with a lubrication or agrease nipple.

Ningbo Amol Machinery Co., Ltd.  
Jiangsu Amol Bearing Co., Ltd.  
Ningbo Amol Intl. Trade Co., Ltd.



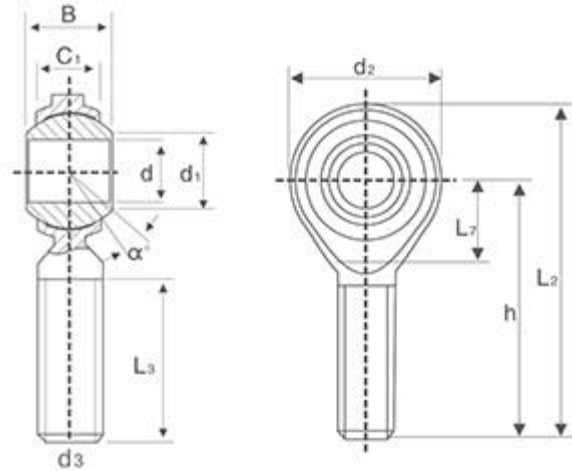


Part Number	Dimensions (mm)													Load ratings		Weight	
	d	d3	B	C1	W	h1	d2	L4	L5	d4	d5	dk	L3 min	$\alpha \approx$	dyn.c		stat.c0
NHS 3	3	M3x0.5	6	4.5	7	21	12	27	3	6.5	8	7.89	10	11	1.7	2.0	10
NHS 4	4	M4x0.7	7	5.25	8	24	14	31	4	8	9.5	9.49	12	12	2.5	2.9	12
NHS 5	5	M5x0.8	8	6	9	27	18	36.5	4	8.5	11	11.11	10	13	5.70	6.00	16
NHS 6	6	M6x1.0	9	6.7	11	30	20	40.5	5	10	13	12.70	12	13	7.20	7.65	22
NHS 8	8	M8x1.25	12	9	14	36	24	48.5	5	12.5	16	15.875	16	14	11.6	12.9	47
NHS 10	10	M10x1.5	14	11	17	43	28	57.5	6.5	15	19	19.05	20	13	14.5	18.0	77
NHS 10-1	10	M10x1.25	14	11	17	43	28	57.5	6.5	15	19	19.05	20	13	14.5	18.0	77
NHS 12	12	M12x1.75	16	12	19	50	32	66.5	6.5	17.5	22	22.225	22	13	17.0	24.0	100
NHS 12-1	12	M12x1.25	16	12	19	50	32	66.5	6.5	17.5	22	22.225	22	13	17.0	24.0	100
NHS 14	14	M14x2.0	19	14	22	57	36	75.5	8	20	25	25.40	25	16	24.0	31.0	160
NHS 14-1	14	M14x1.5	19	14	22	57	36	75.5	8	20	25	25.40	25	16	24.0	31.0	160
NHS 16	16	M16x2.0	21	15	24	64	42	85.5	8	22	27	28.575	28	15	28.5	39.0	220
NHS 16-1	16	M16x1.5	21	15	24	64	42	85.5	8	22	27	28.575	28	15	28.5	39.0	220
NHS 18	18	M18x1.5	23	17	27	71	44	94.5	10	25	31	31.75	32	15	42.5	47.5	320
NHS 20	20	M20x1.5	25	18	30	77	50	102.5	10	27.5	34	34.925	33	14	42.5	57.0	420
NHS 22	22	M22x1.5	28	20	32	84	54	111.5	12	30	38	38.10	37	15	57.0	68.0	540
NHS 25	25	M24x2.0	31	22	36	94	60	124.5	12	33.5	42	42.85	42	15	68.0	85.0	720



Ningbo Amol Machinery Co., Ltd.  
Jiangsu Amol Bearing Co., Ltd.  
Ningbo Amol Intl. Trade Co., Ltd.

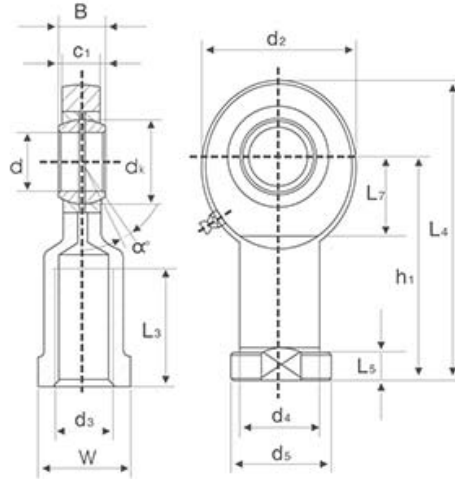




Part Number	Dimensions									Load ratings		Weight
	d	d3	B	C1	h	L2	d2	L3 min	$\alpha$ $\approx$	dyn.c	stat.c0	
NOS 3	3	M3x0.5	6	4.9	27	33	12	15	11	1.7	2.00	10
NOS 4	4	M4x0.7	7	5.25	30	37	14	17	12	2.5	2.90	12
NOS 5	5	M5x0.8	8	6	33	42.5	18	20	13	5.70	6.00	13
NOS 6	6	M6x1.0	9	6.7	36	46.5	20	22	13	7.20	7.65	20
NOS 8	8	M8x1.25	12	9	42	54.5	24	25	14	11.6	12.9	38
NOS 10	10	M10x1.5	14	11	48	62.5	28	29	13	14.5	18.0	55
NOS 12	12	M12x1.75	16	12	54	70.5	32	33	13	17.0	24.0	85
NOS 14	14	M14x2.0	19	14	60	78.5	36	36	16	24.0	31.0	140
NOS 16	16	M16x2.0	21	15	66	87.5	42	40	15	28.5	39.0	210
NOS 18	18	M18x1.5	23	17	72	95.5	44	44	15	42.5	47.5	280
NOS 20	20	M20x1.5	25	18	78	103.5	50	47	14	42.5	57.0	380
NOS 22	22	M22x1.5	28	20	84	111.5	54	50	15	57.0	68.0	480
NOS 25	25	M24x2.0	31	22	94	124.5	60	57	15	68.0	85.0	640

Ningbo Amol Machinery Co., Ltd.  
Jiangsu Amol Bearing Co., Ltd.  
Ningbo Amol Intl. Trade Co., Ltd.





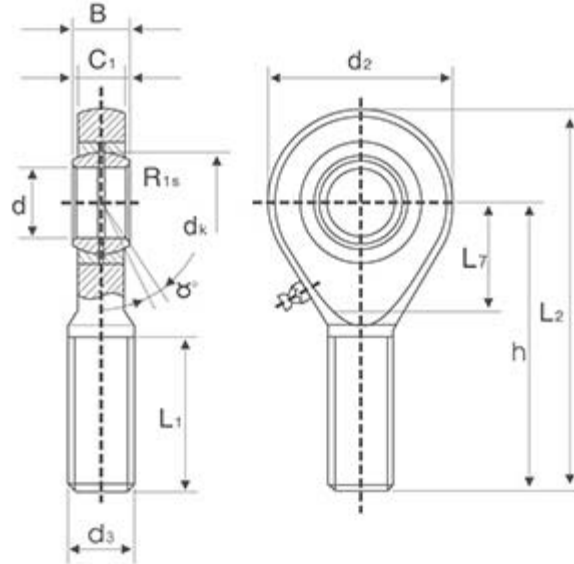
Part Number	Dimensions											Load ratings		Weight			
	d	d3	B	C1	L3 min	W	d2	h1	L4	L5	d4	d5	dk	$\alpha$ ≈	dyn.c	stat.c0	
GIR 6 DO*	6	M6×1.0	6	4.4	11	11	21	30	40.5	5	10	13	10	13	3.40	8.15	21
GIR 8 DO*	8	M8×1.25	8	6.0	15	14	24	36	48	5	12.5	16	13	15	5.50	12.9	39
GIR 10 DO*	10	M10×1.5	9	7.0	20	17	29	43	57.5	6.5	15	19	16	12	8.15	17.6	61
GIR 12 DO*	12	M12×1.75	10	8.0	23	19	34	50	67	6.5	17.5	22	18	11	10.8	24.5	96
GIR 15 DO	15	M14×2.0	12	10	30	22	40	61	81	8	21	26	22	8	17.0	36.0	180
GIR 17 DO	17	M16×2.0	14	11	34	27	46	67	90	10	24	30	25	10	21.2	45.0	220
GIR 20 DO	20	M20×1.5	16	13	40	32	53	77	103.5	10	27.5	35	29	9	30.0	60.0	350
GIR 25 DO	25	M24×2.0	20	17	48	36	64	94	126	12	33.5	42	35.5	7	48.0	83.0	640
GIR 30 DO	30	M30×2.0	22	19	56	41	73	110	146.5	15	40	50	40.7	6	62.0	110	930
GIR 35 DO	35	M36×3.0	25	21	60	50	82	125	166	15	47	58	47	6	80.0	146	1300
GIR 40 DO	40	M39×3.0	28	23	65	55	92	142	188	18	52	65	53	7	100	180	2000
GIR 45 DO	45	M42×3.0	32	27	65	60	102	145	196	20	58	70	60	7	127	240	2500
GIR 50 DO	50	M45×3.0	35	30	68	65	112	160	216	20	62	75	66	6	156	290	3500
GIR 60 DO	60	M52×3.0	44	38	70	75	135	175	242.5	20	70	88	80	6	245	450	5500
GIR 70 DO	70	M56×4.0	49	42	80	85	160	200	280	20	80	98	92	6	315	610	8600
GIR 80 DO	80	M64×4.0	55	47	85	100	180	230	320	25	95	110	105	6	400	750	12000

-For left-hand thread ,please add surffix "L" ,e.g.sil 30es.

-For bearings  $d \geq 15$  ,SI..ES 2RS also available ,e.g.SI 25 ES 2RS

-Lubricating hole or grease nipple isn' t available for the sizesnarked “\*\*”





Part Number	Dimensions											Load ratings		Weight	
	d	d3	B	C1	L1 min	d2	L7 min	h	L2	dk	R1s	$\alpha$ ≈	dyn.c		stat.c0
GAR 6 DO*	6	M6×1.0	6	4.4	18	21	11	36	46.5	10	0.3	13	3.40	8.15	17
GAR 8 DO*	8	M8×1.25	8	6.0	22	24	14	42	54	13	0.3	15	5.50	12.9	29
GAR 10 DO*	10	M10×1.5	9	7.0	26	29	15	48	62.5	16	0.3	12	8.15	17.6	51
GAR 12 DO*	12	M12×1.75	10	8.0	28	34	17	54	71	18	0.3	11	10.8	24.5	86
GAR 15 DO	15	M14×2.0	12	10	34	40	20	63	83	22	0.3	8	17.0	36.0	140
GAR 17 DO	17	M16×2.0	14	11	36	46	23	69	92	25	0.3	10	21.2	45.0	190
GAR 20 DO	20	M20×1.5	16	13	43	53	27	78	104.5	29	0.6	9	30.0	60.0	310
GAR 25 DO	25	M24×2.0	20	17	53	64	32	94	126	35.5	0.6	7	48.0	83.0	560
GIAR 30 DO	30	M30×2.0	22	19	65	73	37	110	145.5	40.7	0.6	6	62.0	110	890
GAR 35 DO	35	M36×3.0	25	21	82	82	41	140	181	47	0.6	6	80.0	146	1400
GAR 40 DO	40	M39×3.0	28	23	86	92	46	150	196	53	0.6	7	100	180	1800
GAR 45 DO	45	M42×3.0	32	27	94	102	51	163	214	60	0.6	7	127	240	2600
GAR 50 DO	50	M45×3.0	35	30	107	112	56	185	241	66	0.6	6	156	290	3400
GAR 60 DO	60	M52×3.0	44	38	115	135	68	210	277.5	80	1.0	6	245	450	5900
GAR 70 DO	70	M56×4.0	49	42	125	160	80	235	315	92	1.0	6	315	610	8200
GAR 80 ODO	80	M64×4.0	55	47	140	180	90	270	360	105	1.0	6	400	750	12000

-For left-hand thread ,please add surffix "L" ,e.g.sil 30es.

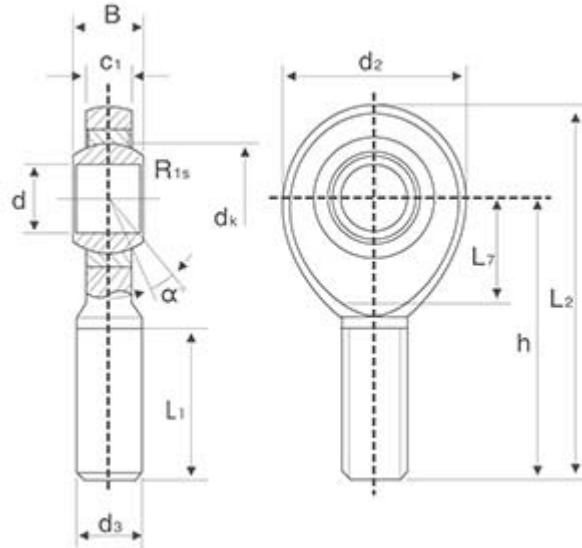
-For bearings  $d \geq 15$  ,SI..ES 2RS also available ,e.g.SI 25 ES 2RS

-Lubricating hole or grease nipple isn't available for the sizes marked "\*"



Ningbo Amol Machinery Co., Ltd.  
Jiangsu Amol Bearing Co., Ltd.  
Ningbo Amol Intl. Trade Co., Ltd.



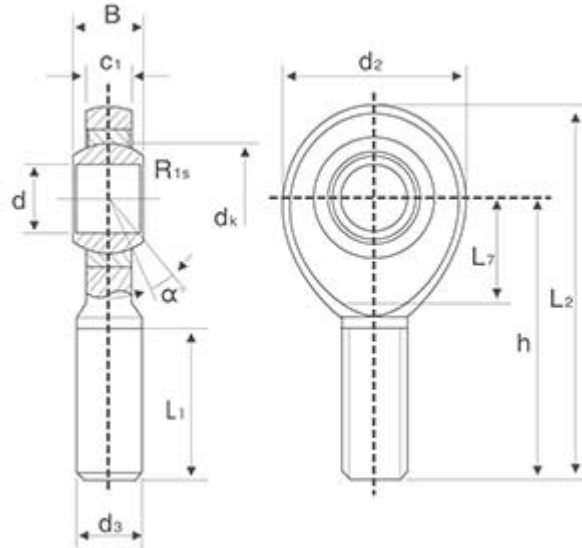


Part Number	Dimensions													Load ratings		Weight	
	d	d3	B	C1	d2	L3 min	W	d4	d5	L5	h1	L4	dk	$\alpha$ $\approx$	dyn.c		stat.c0
GIR 6 C	6	M6×1.0	6	4.4	21	11	11	10	13	5	30	40.5	10	13	3.60	8.15	21
GIR 8 C	8	M8×1.25	8	6	24	15	14	12.5	16	5	36	48	13	15	5.85	12.9	39
GIR 10 C	10	M10×1.5	9	7	29	20	17	15	19	6.5	43	57.5	16	12	8.65	17.6	61
GIR 12 C	12	M12×1.75	10	8	34	23	19	17.5	22	6.5	50	67	18	11	11.4	24.5	96
GIR 15 C	15	M14×2.0	12	10	40	30	22	21	26	8	61	81	22	8	17.6	36.0	180
GIR 17 C	17	M16×2.0	14	11	46	34	27	24	30	10	67	90	25	10	22.4	45.0	220
GIR 20 C	20	M20×1.5	16	13	53	40	32	27.5	35	10	77	103.5	29	9	31.5	60.0	350
GIR 25 C	25	M24×2.0	20	17	64	48	36	33.5	42	12	94	126	35.5	7	51.0	83.0	640
GIR 30 C	30	M30×2.0	22	19	73	56	41	40	50	15	110	146.5	40.7	6	66.5	110	930
GIR 35 ET 2RS	35	M36×3.0	25	21	82	60	50	47	58	15	125	166	47	6	112	146	1300
GIR 40 ET 2RS	40	M39×3.0	28	23	92	65	55	52	65	18	142	188	53	7	140	180	2000
GIR 45 ET 2RS	45	M42×3.0	32	27	102	65	60	58	70	20	145	196	60	7	180	240	2500
GIR 50 ET 2RS	50	M45×3.0	35	30	112	68	65	62	75	20	160	216	66	6	220	290	3500
GIR 60 ET 2RS	60	M52×3.0	44	38	135	70	75	70	88	20	175	242.5	80	6	345	450	5500
GIR 70 ET 2RS	70	M56×4.0	49	42	160	80	85	80	98	20	200	280	92	6	440	610	8600
GIR 80 ET 2RS	80	M64×4.0	55	47	180	85	100	95	110	25	230	320	105	6	570	750	12000

-For left-hand thread ,please add surffix "L" ,e.g.GIL 10UK

Ningbo Amol Machinery Co., Ltd.  
Jiangsu Amol Bearing Co., Ltd.  
Ningbo Amol Intl. Trade Co., Ltd.



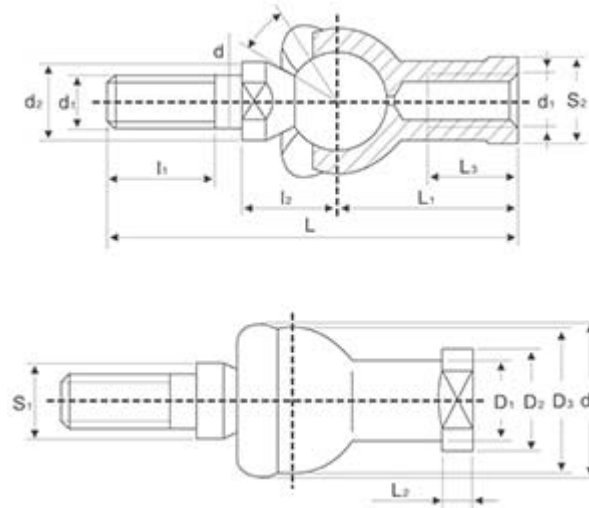


Part Number	Dimensions											Load ratings		Weight	
	d	d3	B	C1	d2	L2 ,mn	h	L7	L1 min	Dk	R1s	$\alpha$ ≈	dyn.c		stat.c0
GAR 6 C	6	M6×1.0	6	4.4	21	46.5	36	12	18	10	0.3	13	3.60	8.15	17
GAR 8 C	8	M8×1.25	8	6	24	54	42	14	22	13	0.3	15	5.85	12.9	29
GAR 10 C	10	M10×1.5	9	7	29	62.5	48	15	26	16	0.3	12	8.65	17.6	51
GAR 12 C	12	M12×1.75	10	8	34	71	54	18	28	18	0.3	11	11.4	24.5	86
GAR 15 C	15	M14×2.0	12	10	40	83	63	20	34	22	0.3	8	17.6	36.0	140
GAR 17 C	17	M16×2.0	14	11	46	92	69	23	36	25	0.3	10	22.4	45.0	190
GAR 20 C	20	M20×1.5	16	13	53	104.5	78	27	43	29	0.6	9	31.5	60.0	310
GAR 25 C	25	M24×2.0	20	17	64	126	94	32	53	35.5	0.6	7	51.0	83.0	560
GAR 30 C	30	M30×2.0	22	19	73	146.5	110	37	65	40.7	0.6	6	66.5	110	890
GAR 35 ET 2RS	35	M36×3.0	25	21	82	181	140	42	82	47	0.6	6	112	146	1400
GAR 40 ET 2RS	40	M39×3.0	28	23	92	196	150	48	86	53	0.6	7	140	180	1800
GAR 45 ET 2RS	45	M42×3.0	32	27	102	214	163	52	94	60	0.6	7	180	240	2600
GAR 50 ET 2RS	50	M45×3.0	35	30	112	241	185	60	107	66	0.6	6	220	290	3400
GAR 60 ET 2RS	60	M52×3.0	44	38	135	277.5	210	75	115	80	1.0	6	345	450	5900
GAR 70 ET 2RS	70	M56×4.0	49	42	160	315	235	87	125	92	1.0	6	440	610	8200
GAR 80 ET 2RS	80	M64×4.0	55	47	180	360	270	100	140	105	1.0	6	570	750	12000

-For left-hand thread ,please add surffix "L" ,e.g.GIL 10UK

Ningbo Amol Machinery Co., Ltd.  
Jiangsu Amol Bearing Co., Ltd.  
Ningbo Amol Intl. Trade Co., Ltd.





Part Number	Dimensions																Load ratings	Weight
	d	d1	d2	d3	I1	I2	S1	L	L1	L2	L3	D1	D2	D3	S2	$\alpha$		
SQZ 5RS	5	M5×0.8	9	20	8	11	7	46	24	4	12	9	11	17	9	15	2.8	25
SQZ 6RS	6	M6×1.0	10	20	11	12.2	8	55.2	28	5	15	10	13	20	11	15	3.7	41
SQZ 8RS	8	M8×1.25	12	24	12	16	10	65	32	5	16	12.5	16	24	14	15	5.8	75
SQZ 10RS	10	M10×1.25	14	30	15	19.5	11	74.5	35	6.5	18	15	19	28	17	15	8.4	120
SQZ 10RS-1	10	M10×1.5	14	30	21	19.5	11	80.5	35	6.5	18	15	19	28	17	15	8.4	120
SQZ 12RS	12	M12×1.25	17	32	17	21	15	84	40	6.5	20	17.5	22	32	19	15	11	180
SQZ 12RS-1	12	M12×1.75	17	32	24	21	15	91	40	6.5	20	17.5	22	32	19	15	11	180
SQZ 14RS	14	M14×1.5	19	38	22	23.5	17	103	45	8	25	20	25	36	22	11	15	270
SQZ 14RS-1	14	M14×2.0	19	38	28	23.5	17	109	45	8	25	20	25	36	22	11	15	270
SQZ 16RS	16	M16×1.5	22	44	23	25.5	19	112	50	8	27	22	27	40	22	11	15	360
SQZ 16RS-1	16	M16×2.0	22	44	29	25.5	19	118	50	8	27	22	27	40	22	11	15	360
SQZ 18RS	18	M18×1.5	23	45	25	31	20	130.5	58	10	32	25	31	45	27	11	19	540
SQZ 20RS	20	M20×1.5	27	50	25	29	24	133	63	10	38	27.5	34	45	30	7.5	19	570
SQZ 22RS	22	M22×1.5	27	52	26	33	24	145	70	12	43	30	37	50	32	7.5	23	750

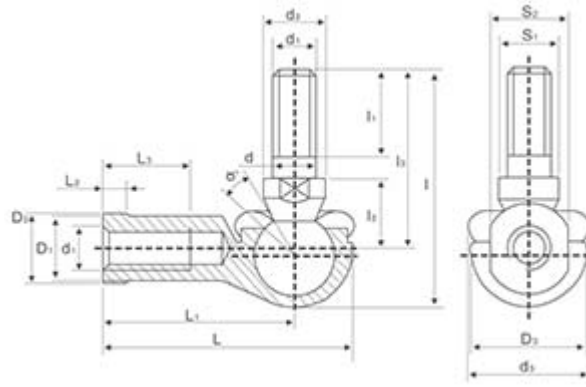
-For left-hand thread of the ball joint housing ,please add suffix "L" in added to bearing number ,e.g.SQZ 6RS

-The type number of ball joints without seal is SQ...



Ningbo Amol Machinery Co., Ltd.  
Jiangsu Amol Bearing Co., Ltd.  
Ningbo Amol Intl. Trade Co., Ltd.





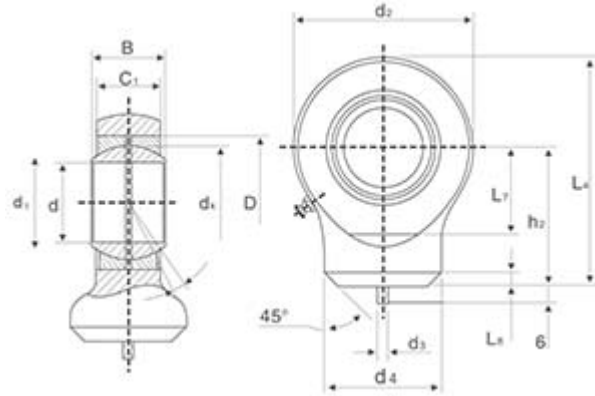
Part Number	Dimensions																		Load ratings	Weight
	d	d1	d2	d3	I	I1 min	I2	I3	S1	L	L1	L2	L3 min	D1	D2	D3	S2	$\alpha$ ≈		
SQ 5RS	5	M5×0.8	9	19	29	8	10	21	7	35	27	4	14	9	11	16	9	25	2.2	26
SQ 6RS	6	M6×1.0	10	20	35.5	11	11	26	8	40	30	5	14	10	13	19	11	25	3.5	39
SQ 8RS	8	M8×1.25	12	24	42.5	12	14	31	10	48	36	5	17	12.5	16	23	14	25	6.6	68
SQ 10RS	10	M10×1.25	14	30	50.5	15	17	37	11	57	43	6.5	21	15	19	27	17	25	10	112
SQ 10RS-1	10	M10×1.5	14	30	56.5	21	17	43	11	57	43	6.5	21	15	19	27	17	25	10	112
SQ 12RS	12	M12×1.25	17	32	57.5	17	19	42	15	66	50	6.5	25	17.5	22	31	19	25	16	164
SQ 12RS-1	12	M12×1.75	17	32	64.5	24	19	49	15	66	50	6.5	25	17.5	22	31	19	25	16	164
SQ 14RS	14	M14×1.5	19	38	73.5	22	21.5	56	17	75	57	8	26	20	25	35	22	25	19	254
SQ 14RS-1	14	M14×2.0	19	38	79.5	28	21.5	62	17	75	57	8	26	20	25	35	22	25	19	254
SQ 16RS	16	M16×1.5	22	44	79.5	23	23.5	60	19	84	64	8	32	22	27	39	22	20	26	336
SQ 16RS-1	16	M16×2.0	22	44	85.5	29	23.5	66	19	84	64	8	32	22	27	39	22	20	26	336
SQ 18RS	18	M18×1.5	23	45	90	25	26.5	68	20	93	71	10	34	25	31	44	27	20	33	464
SQ 20RS	20	M20×1.5	27	50	90	25	27	68	24	99	77	10	35	27.5	34	44	30	20	45	538
SQ 22RS	22	M22×1.5	27	52	95	26	28	70	24	109	84	12	41	30	37	50	32	16	48	713

-For left-hand thread of the ball joint housing ,please add suffix "L'in added to bearing number ,e.g.SQL 6RS

-The type number of ball joints without seal is SQ...

Ningbo Amol Machinery Co., Ltd.  
Jiangsu Amol Bearing Co., Ltd.  
Ningbo Amol Intl. Trade Co., Ltd.



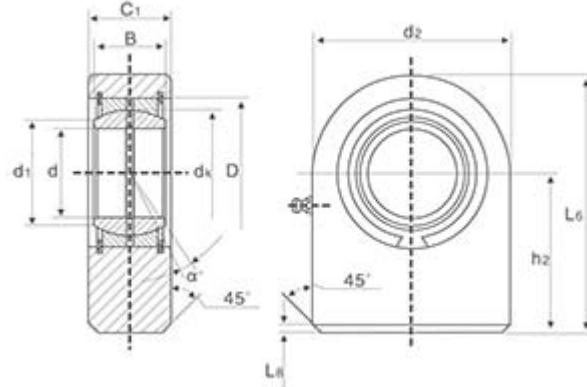


Part Number	Dimensions														Load ratings		Weight
	d	d1	B	C1	dk	d2	L4	h2	L7 min	L8	d3	d4	D	$\alpha$ ≈	dyn.c	stat.c0	
GK 10 DO*	10	13.2	9	7	16	29	38.5	24	15	1.5	3	15	19	12	8.15	15.6	41
GK 12 DO*	12	15	10	8	18	34	44	27	18	1.5	3	17.5	22	11	10.8	21.6	66
GK 15 DO	15	18.4	12	10	22	40	51	31	20	2.0	4	21	26	8	17.0	32.0	120
GK 17 DO	17	20.7	14	11	25	46	58	35	23	2.0	4	24	30	10	21.2	40.0	190
GK 20 DO	20	24.2	16	13	29	53	64.5	38	27.5	2.0	4	27.5	35	9	30.0	54.0	230
GK 25 DO	25	29.3	20	17	35.5	64	77	45	33	3.0	4	33.5	42	7	48.0	72.0	430
GK 30 DO	30	34.2	22	19	40.7	73	87.5	51	37.5	3.0	4	40	47	6	62.0	95.0	640
GK 35 DO	35	39.8	25	21	47	82	102	61	43	3.0	4	47	55	6	80.0	125	960
GK 40 DO	40	45.0	28	23	53	92	115	69	48	4.0	4	52	62	7	100	156	1300
GK 45 DO	45	50.8	32	27	60	102	128	77	52	4.0	6	58	68	7	127	208	1800
GK 50 DO	50	55.9	35	30	66	112	144	88	59	4.0	6	62	75	6	156	250	2500
GK 60 DO	60	66.8	44	38	80	135	167.5	100	72.5	4.0	6	70	90	6	245	390	3900
GK 70 DO	70	77.9	49	42	92	160	195	115	86	5.0	6	80	105	6	315	510	6600
GK 80 DO	80	89.4	55	47	105	180	231	141	98	5.0	6	95	120	6	400	620	8700

-Sealed design also available ,e.g.GK 50DO 2RS  
 -Relubrication not possible for the sizes marked "\*".

Ningbo Amol Machinery Co., Ltd.  
Jiangsu Amol Bearing Co., Ltd.  
Ningbo Amol Intl. Trade Co., Ltd.





Part Number	Dimensions										Load ratings		Weight
	d	C1	B	d2	L6	h2	dk	d1	D	L8	dyn.c	stat.c0	
GF 20 DO	20	19	16	50	63	38	29	24.2	35	2	30.0	67.0	350
GF 25 DO	25	23	20	55	72.5	45	35.5	29.3	42	2	48.0	69.5	530
GF 30 DO	30	28	22	65	83.5	51	40.7	34.2	47	2	62.0	118	870
GF 35 DO	35	30	25	83	102.5	61	47	39.8	55	2	80.0	196	1500
GF 40 DO	40	35	28	100	119	69	53	45.0	62	3	100	300	2400
GF 45 DO	45	40	32	110	132	77	60	50.8	68	3	127	380	3400
GF 50 DO	50	40	35	123	149.5	88	66	55.9	75	3	156	440	4400
GF 60 DO	60	50	44	140	170	100	80	66.8	90	4	245	570	7100
GF 70 DO	70	55	49	164	197	115	92	77.9	105	4	315	695	10500
GF 80 DO	80	60	55	180	231	141	105	89.4	120	4	400	780	15000
GF 90 DO	90	65	60	226	263	150	115	98.1	130	4	490	1340	23500
GF 100 DO	100	70	70	250	295	170	130	109.5	150	4	610	1500	31500
GF 110 DO	110	80	70	295	332.5	185	140	121.2	160	4	655	2160	48500
GF 120 DO	120	90	85	360	390	210	160	135.5	180	4	950	3250	79000

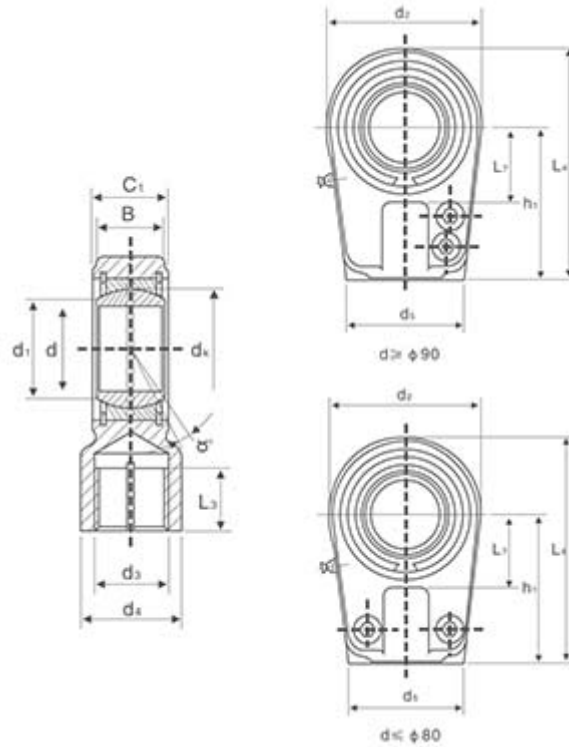
-GF 70 DO 2RS.

-Sealed design also available ,e.g.GF 70 2RS.



Ningbo Amol Machinery Co., Ltd.  
Jiangsu Amol Bearing Co., Ltd.  
Ningbo Amol Intl. Trade Co., Ltd.





Part Number	Dimensions													Load ratings		Weight	
	d	d3	C1	B	d2	d4	L3 min	dk	d1	L7 min	h1	L4	d5	$\alpha$ $\approx$	dyn.c		stat.c0
GIHR-K 20 DO	20	M16 × 1.5	19	16	56	25	17	29	24.2	25	50	80	46	9	30.0	72.0	430
GIHR-K 25 DO	25	M16 × 1.5	23	20	56	25	17	35.5	29.3	28	50	80	46	7	48.0	72.0	480
GIHE-K 30 DO	30	M22 × 1.5	28	22	64	32	23	40.7	34.2	30	60	94	50	6	62.0	106	740
GIHR-K 35 DO	35	M28 × 1.5	30	25	78	40	29	47	39.8	38	70	112	66	6	80.0	153	1200
GIHR-K 40 DO	40	M35 × 1.5	35	28	94	49	36	53	45.0	45	85	135	76	7	100	250	2000
GIHR-K 50 DO	50	M45 × 1.5	40	35	116	61	46	66	55.9	55	105	168	90	6	156	365	3800
GIHR-K 60 DO	60	M58 × 1.5	50	44	130	75	59	80	66.8	65	130	200	120	6	245	400	5400
GIHR-K 70 DO	70	M65 × 1.5	55	49	154	86	66	92	77.9	75	150	237	130	6	315	540	8500
GIHR-K 80 DO	80	M80 × 2.0	60	55	176	105	81	105	89.4	80	170	265	160	6	400	670	12000
GIHR-K 90 DO	90	M100 × 1.5	65	60	206	124	101	115	98.1	90	210	323	180	5	490	980	21500
GIHR-K	100	M110	70	70	230	138	111	130	109.5	105	235	360	200	7	610	1120	27500

Ningbo Amol Machinery Co., Ltd.  
 Jiangsu Amol Bearing Co., Ltd.  
 Ningbo Amol Intl. Trade Co., Ltd.

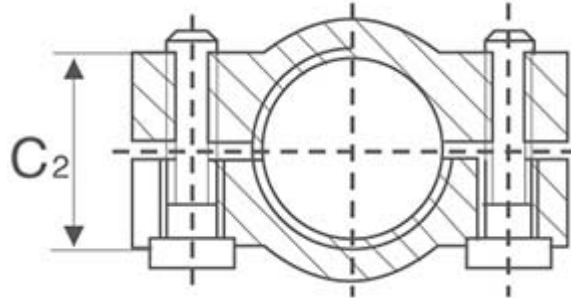
100 DO	× 1.5																
GIHR-K	110	M120	80	70	265	152	125	140	121.2	115	265	407.5	220	6	655	1700	40500
110 DO	× 1.5																
GIHR-K	120	M130	90	85	340	172	135	160	135.5	140	310	490	257	6	950	2900	76000
120 DO	× 1.5																

-GIHL -K 30 DO。

-For left-hand thread ,please add surffix "L" ,e.g.GIHL -K 30 DO.

Ningbo Amol Machinery Co., Ltd.  
Jiangsu Amol Bearing Co., Ltd.  
Ningbo Amol Intl. Trade Co., Ltd.





Paart Number	Dimensions												Load ratings		Weight
	d	B	C1	d3 6g	d4	L3 min	d2	L4	h1	L7 min	C2	d5	dyn.c	stat.Co	
GIHN-K 12LO*	12	12	11	M12x1.25	16.5	17	32	54	38	14	11	32	10.8	24.5	100
GIHN-K 16LO	16	16	14	M14x1.5	21	19	40	64	44	18	14	40	17.6	36.5	200
GIHN-K 20LO	20	20	17	M16x1.5	25	23	47	77	52	22	17	47	30.0	48.0	400
GIHN-K 25LO	25	25	22	M20x1.5	30	29	58	96	65	27	19	54	48.0	78.0	660
GIHN-K 32LO	32	32	28	M27x2.0	38	37	71	118.5	80	32	22	66	67.0	114	1200
GIHN-K 40LO	40	40	33	M33x2.0	47	46	90	146	97	41	26	80	100	204	2100
GIHN-K 50LO	50	50	41	M42x2.0	58	57	109	179.5	120	50	32	96	156	310	4400
GIHN-K 63LO	63	63	53	M48x2.0	70	64	136	213	140	62	38	114	255	430	7600
GIHN-K 70LO	70	70	57	M56x2.0	80	76	155	245	160	70	42	135	315	540	9500
GIHN-K 80LO	80	80	66	M64x3.0	90	86	168	270	180	78	48	148	400	695	14500
GIHN-K 90LO	90	90	72	M72x3.0	100	91	185	296	195	85	52	160	490	750	17000
GIHN-K 100LO	100	100	84	M80x3.0	110	96	210	322	210	98	62	178	610	1060	28000
GIHN-K 110LO	110	110	88	M90x3.0	125	106	235	364	235	105	62	190	655	1200	32000
GIHN-K 125LO	125	125	102	M100x3.0	135	113	260	405	260	120	72	200	950	1430	43000