

Ningbo Amol Machinery Co., Ltd.
Jiangsu Amol Bearing Co., Ltd.
Ningbo Amol Intl. Trade Co., Ltd.



Spherical roller bearings consist of an outer ring having a continuous spherical raceway and two rows of barrel-shaped rollers guided by an inner ring with two raceways. This bearing has self-aligning properties, and therefore is suited for use where misalignment between the inner and outer rings occurs from housing installation error or shaft bending. Spherical roller bearings have a large capacity for radial loads, axial loads in either direction, and combined loads. They are also suited for applications where vibration and shock loads are encountered. When spherical roller bearings are used with a vertical shaft or under a large axial load, the load on the rollers of the row that is not subject to the axial load becomes small, and the resulting skidding on the rollers may result in wear. If the ratio of the axial load to the radial load exceeds the factor e in the dimension table ($F_a/F_r > e$), consult with WBW engineer.

Types, design features, and characteristics In addition to spherical roller bearings with cylindrical bores, spherical roller bearings with tapered bores are also available. Bearings with tapered bores are specified by the suffix “K” at the end of the spherical roller bearing part number. The standard taper ratio is 1:12 for bearings with a “K” suffix; for bearings in series 240 and 241, the suffix “K30” indicates the taper ratio for a bearing is 1:30. Most tapered bore bearings incorporate the use of adapters and withdrawal sleeves for shaft mounting.

As **the rotational speed of the bearing** increases, the temperature of the bearing also increases because of the friction heat produced inside the bearing. Excessive heat will significantly deteriorate the bearing performance, causing abnormal temperature rises and seizure. Factors affecting the allowable speed of bearings are as follows.

- (1) Bearing type
- (2) Bearing size
- (3) Lubrication (grease lubrication, circulating lubrication, oil lubrication, etc.)
- (4) Bearing internal clearance (bearing internal clearance during operation)
- (5) Bearing load
- (6) Shaft and housing accuracy

The allowable speed specified in the bearing dimension table is the limit for heat dissipation and satisfactory lubrication conditions before the bearing is adversely affected.

[Oil lubrication]
 [Grease lubrication]

Oil hole and groove for outer ring

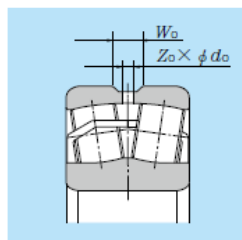


Fig. 2

Table 4 Oil inlet number

Nominal bearing outside diameter mm		Number of oil holes	
		D1	W33 (European spec)
Incl.	Below	Z _o	Z _o
-	320	4	3
320	1 010	8	3
1 010	-	12	-

For oil groove width W_o and diameter of oil hole d_o , see the dimension table.

Table 1 Types of spherical roller bearings

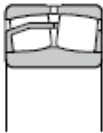
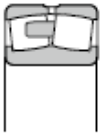





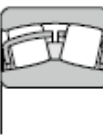
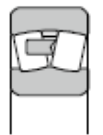



Type	ULTAGE series ¹⁾		
	EA type	EM type	EM type (large size)
Design			
Bearing series	Series other than 213 with outer diameter of 420 mm or smaller		Series with outer diameter of 440 to 580 mm
Rollers	Symmetrical		
Cage type	Pressed cage	Machined cage	Machined cage
Cage shape			
Max. operating temperature	200°C		
Type	B type	213C type	213 type
Design			
Bearing series	Other than ULTAGE series (outer diameter of 300 mm or larger)	Series 213 with bore diameter of 50 mm or smaller	Series 213 with bore diameter of 55 mm or larger
Rollers	Asymmetrical	Symmetrical	Asymmetrical
Cage type	Two-piece machined cage	Two-piece pressed cage	Machined cage
Cage shape			
Max. operating temperature	120°C (instantaneous)		100°C (continuous)

Table 3 Housing bore tolerance class in common use

Condition			Housing bore tolerance class	Note	
Housing	Load type, etc.	Outer ring axial direction movement			
Single housing or divided housing	Static outer ring load	All types of loads	Yes	H7	G7 can be used for large bearings or bearings with a large temperature differential between the outer ring and housing.
		Light ¹⁾ or ordinary load ¹⁾	Yes	H8	—
		Shaft and inner ring become hot.	Easily	G7	F7 can be used for large bearings or bearings with a large temperature differential between the outer ring and housing.
Single housing	Indeterminate load	Requires precise rotation under light or ordinary loads.	Basically no	K6	—
		Yes	JS6	—	
		Requires low noise operation.	Yes	H6	—
	Rotating outer ring load	Light or ordinary load	Yes	JS7	—
		Ordinary or heavy load ¹⁾	Basically no	K7	—
		High impact load	No	M7	—
Rotating outer ring load	Light or fluctuating load	No	M7	—	
	Ordinary or heavy load	No	N7	—	
	Heavy load or large impact load with thin wall housing	No	P7	—	

1) Standards for light loads, normal loads, and heavy loads

- Light loads: dynamic equivalent radial load $\leq 0.05 C_r$
- Normal loads: $0.05 C_r < \text{dynamic equivalent radial load} \leq 0.10 C_r$
- Heavy loads: $0.10 C_r < \text{dynamic equivalent radial load}$

Note: All values and fits listed in the above tables are for cast iron or steel housings.

Adapters and withdrawal sleeves

Adapters are used for installation of bearings with tapered bores on cylindrical shafts. Withdrawal sleeves are also used to install and disassemble bearings with tapered bores onto and off of cylindrical shafts. In disassembling the bearing from the shaft, the nut is turned against the side face of the inner ring utilizing the bolt provided on the withdrawal sleeve, and then the sleeve is drawn away from the bearing's bore. (Precision and dimensions of adapter and withdrawal sleeve are defined in JIS B 1552 and JIS B 1556).

For bearings with a bore diameter of 200 mm or more, high pressure oil (hydraulic) type adapters and withdrawal sleeves can be made to make installation and disassembly easier. As shown in Fig. 3 construction is designed to reduce friction by injecting high pressure oil between the surfaces of the adapter sleeve and bearing inner bore by means of a pressure fitting. If the oil supply inlet is attached in the nut side of the adapter, the supplementary suffix "HF" is added to the bearing number; if the oil supply inlet is attached on the opposite side, the suffix "HB" is added to the bearing number. For adapter sleeves, the supplementary suffix "H" is added to the bearing's number for both cases. The hydraulic sleeve nut is equipped with holes for bolts used for mounting and dismounting and holes for hydraulic piping. The suffix SP (with screw holes) or SPB (with bolts) is added to the bearing number of the nut. For information on the hydraulic adapters and withdrawal sleeves, see the special catalog (CAT. No. 4201/E).

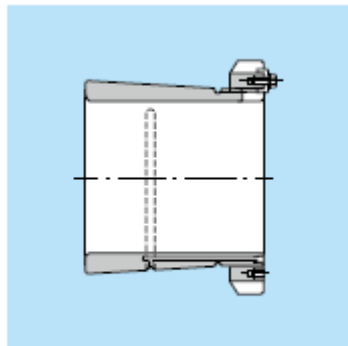
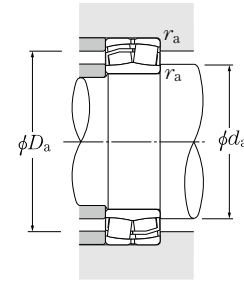
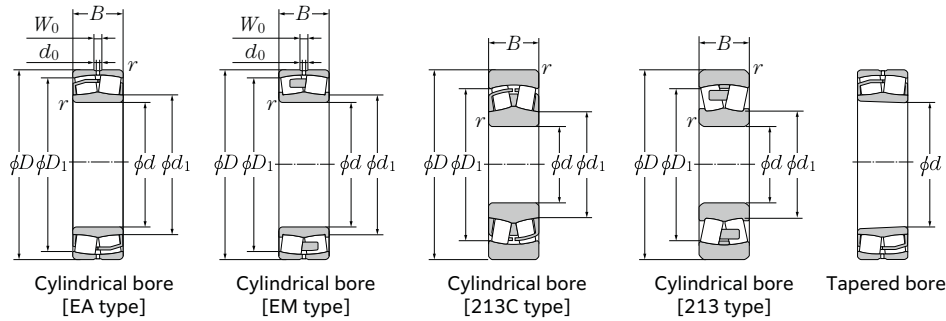


Fig. 3

Bearing damage	Damaged parts	Causes															
		Handling		Bearing periphery			Lubrication		Load			Speed		Bearing selection			
		Poor storage condition/vibration during transportation	Improper handling/installation	Insufficient accuracy of shaft/housing	Infiltration of bearing by foreign matter (insufficient sealing performance)	Temperature (heat effect)	Lubricant (insufficient/improper quality)	Lubrication method (insufficient)	Load/preload	Excessively large impact	Excessively large moment	Excessively small load	High speed/rapid acceleration and deceleration	Large vibration	Swinging/vibration/standstill	Excessively large/small clearance	Excessively large/small interference
Flaking (separation)	Raceway surface/rolling element surface		○	○	○	○	○	○	○	○						○	
Seizure	Raceway/rolling element/cage		○			○	○	○	○	○		○				○	
Cracks/chips	Raceway/rolling element		○	○				○	○								○
Cage damage	Rivets break or become loose		○		○		○	○	○	○		○	○				
Rolling path skewing	Raceway surface		○	○												○	
Smearing/scuffing	Raceway surface/rolling element surface/rib surface/roller end surface		○		○		○	○	○		○						
Rust/corrosion	Rust on a part of or the entire surface of the rolling element pitch	○	○		○		○	○									
Fretting	Red rust on fitting surface		○						○			○					
	Brinelling indentations form on the raceway of the rolling element pitch	○					○	○						○			○
Wear	Raceway surface/rolling element surface/rib surface/roller end surface		○		○		○	○									
Electrolytic corrosion	Pits form on the raceway. The pits gradually grow into ripples.		○														
Dents and scratches	Raceway surface/rolling element surface		○		○				○	○							
Creeping	Fitting surface		○	○		○			○								○
Speckles and discoloration	Raceway surface/rolling element surface				○		○	○									
Peeling	Raceway surface/rolling element surface				○		○	○									



Dynamic equivalent radial load
 $P_r = X F_r + Y F_a$

$\frac{F_a}{F_r} \leq e$		$\frac{F_a}{F_r} > e$	
X	Y	X	Y
1	Y ₁	0.67	Y ₂

Static equivalent radial load

$P_{0r} = F_r + Y_0 F_a$

For values of e , Y_1 , Y_2 and Y_0 see the table below.

d 25 ~ 60mm

d	Boundary dimensions				Basic load rating		Fatigue load limit kN C _u	Allowable speed		Bearing numbers ¹⁾		
	mm	mm	mm	mm	dynamic kN C _r	static kN C _{0r}		Grease min ⁻¹ lubrication	Oil min ⁻¹ lubrication	Cylindrical bore	Tapered bore ^{2) 4)}	
25	52	18	1	3	57.3	46.1	3.23	10 400	13 000	*22205EAW33	*22205EAKW33	
	52	18	1	3	57.3	46.1	3.23	10 400	13 000	*22205EMW33	*22205EMKW33	
30	62	20	1	4	75.7	64.5	4.58	8 800	11 000	*22206EAW33	*22206EAKW33	
	62	20	1	4	75.7	64.5	4.58	8 800	11 000	*22206EMW33	*22206EMKW33	
35	72	23	1.1	5	100	92.0	6.11	7 500	9 400	*22207EAW33	*22207EAKW33	
	72	23	1.1	5	100	92.0	6.11	7 500	9 400	*22207EMW33	*22207EMKW33	
40	80	23	1.1	5	116	105	7.78	6 800	8 500	*22208EAD1	*22208EAKD1	
	80	23	1.1	5	110	98.0	7.29	6 800	8 500	*22208EMD1	*22208EMKD1	
	90	23	1.5	6	98.0	90.0	12.6	4 900	6 400	21308C	21308CK	
	90	33	1.5	6	3	169	152	9.36	5 400	6 600	*22308EAD1	*22308EAKD1
	90	33	1.5	6	3	169	152	9.36	5 400	6 600	*22308EMD1	*22308EMKD1
45	85	23	1.1	6	121	113	8.76	6 100	7 700	*22209EAD1	*22209EAKD1	
	85	23	1.1	6	116	106	8.24	6 100	7 700	*22209EMD1	*22209EMKD1	
	100	25	1.5	6	3	114	106	14.1	4 400	5 700	21309C	21309CK
	100	36	1.5	6	3	206	187	11.8	4 600	5 700	*22309EAD1	*22309EAKD1
50	100	36	1.5	6	3	206	187	11.8	4 600	5 700	*22309EMD1	*22309EMKD1
	90	23	1.1	6	130	124	10.1	5 700	7 200	*22210EAD1	*22210EAKD1	
	90	23	1.1	6	125	117	9.54	5 700	7 200	*22210EMD1	*22210EMKD1	
	110	27	2	6	3	131	127	13.7	4 000	5 200	21310C	21310CK
	110	40	2	7	3.5	250	232	14.0	4 300	5 300	*22310EAD1	*22310EAKD1
55	110	40	2	7	3.5	250	232	14.0	4 300	5 300	*22310EMD1	*22310EMKD1
	100	25	1.5	6	3	155	148	12.6	5 300	6 700	*22211EAD1	*22211EAKD1
	100	25	1.5	6	3	148	140	11.9	5 300	6 700	*22211EMD1	*22211EMKD1
	120	29	2	6	3	161	163	16.1	3 700	4 800	21311	21311K
	120	43	2	8	3.5	296	274	17.4	3 900	4 800	*22311EAD1	*22311EAKD1
60	120	43	2	8	3.5	296	274	17.4	3 900	4 800	*22311EMD1	*22311EMKD1
	110	28	1.5	7	3	187	181	15.4	4 800	6 000	*22212EAD1	*22212EAKD1
	110	28	1.5	7	3	179	171	14.6	4 800	6 000	*22212EMD1	*22212EMKD1
	130	31	2.1	7	4	186	191	28.2	3 400	4 400	21312	21312K
130	46	2.1	9	4	340	319	20.3	3 600	4 600	*22312EAD1	*22312EAKD1	
	130	46	2.1	9	4	340	319	20.3	3 600	4 600	*22312EMD1	*22312EMKD1

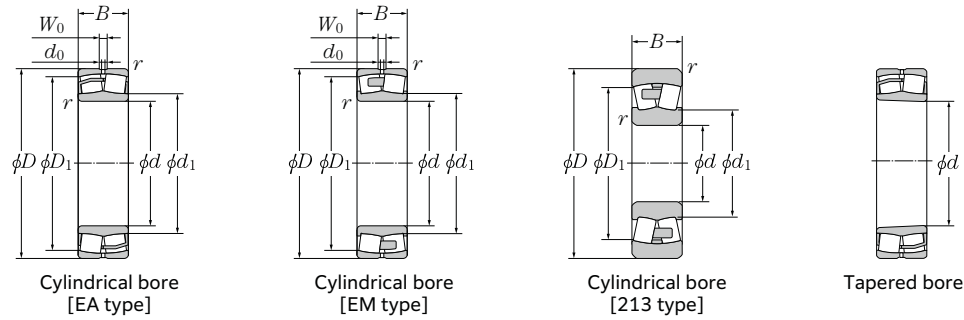
1) Bearing part numbers with * are ULTAGE Series and have outer ring oil holes and oil grooves as standard.
 2) "K" indicates bearings having a tapered bore with a taper ratio of 1:12. 3) Smallest allowable dimension for chamfer dimension r.
 4) "W33" indicates the specification for Europe and have three oil holes.
 B-218

Installation-related dimensions					Constant	Axial load factors			Mass (approx.) kg	
mm						e	Y ₁	Y ₂	Y ₀	Cylindrical bore
30	30	46	46	1	0.34	2.00	2.98	1.96	0.173	0.169
30	30	46	46	1	0.34	2.00	2.98	1.96	0.174	0.171
37	36	56	55	1	0.31	2.15	3.20	2.10	0.278	0.272
37	36	56	55	1	0.31	2.15	3.20	2.10	0.281	0.275
45	42	65	63	1.1	0.31	2.21	3.29	2.16	0.438	0.43
45	42	65	63	1.1	0.31	2.21	3.29	2.16	0.442	0.433
50	47	73	71	1.1	0.27	2.47	3.67	2.41	0.528	0.518
50	47	73	71	1.1	0.27	2.47	3.67	2.41	0.529	0.519
52	48.5	81.5	76	1.5	0.26	2.55	3.80	2.50	0.705	0.694
52	49	81	78	1.5	0.36	1.87	2.79	1.83	1.02	1
52	49	81	78	1.5	0.36	1.87	2.79	1.83	1.03	1.01
54	52	78	76	1.1	0.26	2.64	3.93	2.58	0.572	0.561
54	52	78	76	1.1	0.26	2.64	3.93	2.58	0.577	0.566
58	53.5	91.5	85	1.5	0.26	2.60	3.87	2.54	0.927	0.912
58	54	91	87	1.5	0.36	1.90	2.83	1.86	1.37	1.34
58	54	91	87	1.5	0.36	1.90	2.83	1.86	1.38	1.35
59	57	83	81	1.1	0.24	2.84	4.23	2.78	0.614	0.602
59	57	83	81	1.1	0.24	2.84	4.23	2.78	0.616	0.604
65	60	100	93	2	0.26	2.64	3.93	2.58	1.21	1.19
63	61	99	95	2	0.36	1.87	2.79	1.83	1.82	1.79
63	61	99	95	2	0.36	1.87	2.79	1.83	1.84	1.8
66	64	91	90	1.5	0.23	2.95	4.40	2.89	0.83	0.814
66	64	91	90	1.5	0.23	2.95	4.40	2.89	0.827	0.811
73	65	110	102	2	0.25	2.69	4.00	2.63	1.71	1.69
68	66	109	104	2	0.36	1.87	2.79	1.83	2.31	2.26
68	66	109	104	2	0.36	1.87	2.79	1.83	2.34	2.29
71	69	101	99	1.5	0.24	2.84	4.23	2.78	1.14	1.12
71	69	101	99	1.5	0.24	2.84	4.23	2.78	1.15	1.13
78	72	118	109	2	0.25	2.69	4.00	2.63	2.1	2.07
75	72	118	113	2.1	0.35	1.95	2.90	1.91	2.86	2.8
75	72	118	113	2.1	0.35	1.95	2.90	1.91	2.91	2.85

Note: For the bearings other than ULTAGE Series, outer rings with oil inlets and oil grooves can also be made based on your request.
 In this case, supplementary suffix "D1" is added after a bearing number. Example: 21311D1
 B-219

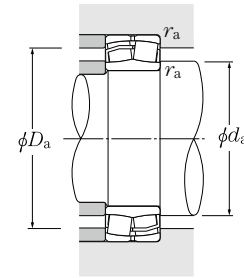
Spherical Roller Bearings

WBW



Spherical Roller Bearings

WBW



Dynamic equivalent radial load

$$P_r = X F_r + Y F_a$$

$\frac{F_a}{F_r} \leq e$		$\frac{F_a}{F_r} > e$	
X	Y	X	Y
1	Y ₁	0.67	Y ₂

Static equivalent radial load

$$P_{0r} = F_r + Y_0 F_a$$

For values of e, Y₁, Y₂ and Y₀ see the table below.

d 65 ~ 95mm

	Boundary dimensions				Basic load rating		Fatigue load limit kN C _u	Allowable speed		Bearing numbers ¹⁾	
	mm				dynamic	static		Grease	Oil	Cylindrical bore	Tapered bore ²⁾
	d	D	B	r _{s min} ³⁾ W ₀	C _r	C _{0r}		lubrication	lubrication		
65	120	31	1.5	8	3.5	226	224	18.2	4 400	5 500	*22213EAD1 *22213EAKD1
	120	31	1.5	8	3.5	217	212	17.2	4 400	5 500	*22213EMD1 *22213EMKD1
	140	33	2.1	7	4	216	228	31.0	3 100	4 000	21313 21313K
	140	48	2.1	9	4	369	343	23.4	3 300	4 100	*22313EAD1 *22313EAKD1
	140	48	2.1	9	4	369	343	23.4	3 300	4 100	*22313EMD1 *22313EMKD1
70	125	31	1.5	7	3.5	235	240	20.1	4 100	5 200	*22214EAD1 *22214EAKD1
	125	31	1.5	7	3.5	235	240	20.1	4 100	5 200	*22214EMD1 *22214EMKD1
	150	35	2.1	7	4	245	262	33.5	2 900	3 800	21314 21314K
	150	51	2.1	10	5	420	396	26.0	3 000	3 800	*22314EAD1 *22314EAKD1
	150	51	2.1	10	5	420	396	26.0	3 000	3 800	*22314EMD1 *22314EMKD1
75	130	31	1.5	7	3.5	244	249	21.1	4 000	5 000	*22215EAD1 *22215EAKD1
	130	31	1.5	7	3.5	244	249	21.1	4 000	5 000	*22215EMD1 *22215EMKD1
	160	37	2.1	7	4	266	287	27.5	2 700	3 500	21315 21315K
	160	55	2.1	10	5	491	467	29.8	2 900	3 600	*22315EAD1 *22315EAKD1
	160	55	2.1	10	5	491	467	29.8	2 900	3 600	*22315EMD1 *22315EMKD1
80	140	33	2	8	3.5	278	287	24.0	3 700	4 600	*22216EAD1 *22216EAKD1
	140	33	2	8	3.5	267	272	22.8	3 700	4 600	*22216EMD1 *22216EMKD1
	170	39	2.1	7	4	289	315	30.5	2 500	3 300	21316 21316K
	170	58	2.1	10	5	541	522	32.5	2 700	3 400	*22316EAD1 *22316EAKD1
	170	58	2.1	10	5	541	522	32.5	2 700	3 400	*22316EMD1 *22316EMKD1
85	150	36	2	8	3.5	324	330	27.1	3 400	4 300	*22217EAD1 *22217EAKD1
	150	36	2	8	3.5	324	330	27.1	3 400	4 300	*22217EMD1 *22217EMKD1
	180	41	3	7	4	320	355	45.0	2 400	3 100	21317 21317K
	180	60	3	11	5	599	604	36.4	2 600	3 200	*22317EAD1 *22317EAKD1
	180	60	3	11	5	599	604	36.4	2 600	3 200	*22317EMD1 *22317EMKD1
90	160	40	2	10	4.5	384	398	30.2	3 200	4 000	*22218EAD1 *22218EAKD1
	160	40	2	10	4.5	384	398	30.2	3 200	4 000	*22218EMD1 *22218EMKD1
	160	52.4	2	9	4	467	513	30.0	2 600	3 200	*23218EMD1 *23218EMKD1
	190	43	3	7	4	355	400	50.5	2 300	3 000	21318 21318K
	190	64	3	12	5	668	652	40.0	2 500	3 000	*22318EAD1 *22318EAKD1
190	64	3	12	5	668	652	40.0	2 500	3 000	*22318EMD1 *22318EMKD1	
95	170	43	2.1	10	4.5	416	417	33.4	3 000	3 800	*22219EAD1 *22219EAKD1
	170	43	2.1	10	4.5	416	417	33.4	3 000	3 800	*22219EMD1 *22219EMKD1

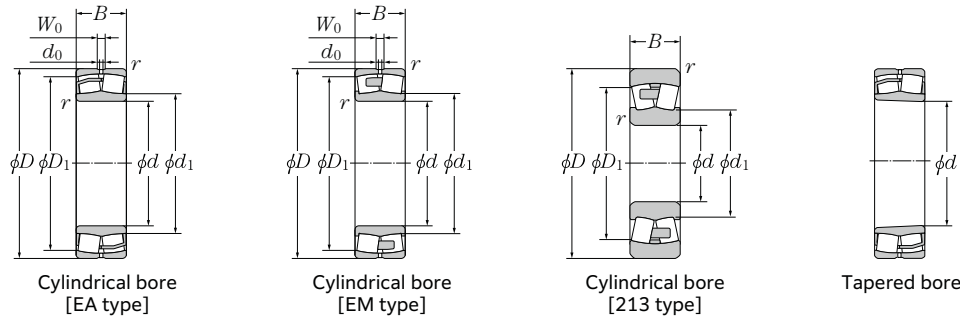
1) Bearing part numbers with * are ULTAGE Series and have outer ring oil holes and oil grooves as standard.
 2) "K" indicates bearings having a tapered bore with a taper ratio of 1:12. 3) Smallest allowable dimension for chamfer dimension r.
 B-220

	Installation-related dimensions					Constant	Axial load factors			Mass (approx.) kg		
	mm						e	Y ₁	Y ₂	Y ₀	Cylindrical bore	Tapered bore
	d ₁	d _{a min}	D _{a max}	D ₁	r _{as max}							
78	74	111	107	1.5	0.24	2.79	4.15	2.73	1.52	1.49		
78	74	111	107	1.5	0.24	2.79	4.15	2.73	1.53	1.5		
85	77	128	119	2	0.25	2.69	4.00	2.63	2.55	2.51		
81	77	128	122	2.1	0.33	2.06	3.06	2.01	3.48	3.41		
81	77	128	122	2.1	0.33	2.06	3.06	2.01	3.5	3.43		
84	79	116	113	1.5	0.22	3.01	4.48	2.94	1.61	1.58		
84	79	116	113	1.5	0.22	3.01	4.48	2.94	1.64	1.6		
91	82	138	126	2	0.25	2.69	4.00	2.63	3.18	3.14		
85	82	138	131	2.1	0.34	2.00	2.98	1.96	4.25	4.16		
85	82	138	131	2.1	0.34	2.00	2.98	1.96	4.31	4.22		
88	84	121	118	1.5	0.22	3.14	4.67	3.07	1.67	1.64		
88	84	121	118	1.5	0.22	3.14	4.67	3.07	1.71	1.67		
99	87	148	136	2	0.24	2.84	4.23	2.78	3.81	3.76		
91	87	148	139	2.1	0.34	2.00	2.98	1.96	5.18	5.07		
91	87	148	139	2.1	0.34	2.00	2.98	1.96	5.27	5.16		
94	91	129	127	2	0.22	3.14	4.67	3.07	2.09	2.05		
94	91	129	127	2	0.22	3.14	4.67	3.07	2.11	2.07		
105	92	158	144	2	0.23	2.95	4.40	2.89	4.53	4.47		
98	92	158	148	2.1	0.34	2.00	2.98	1.96	6.12	5.99		
98	92	158	148	2.1	0.34	2.00	2.98	1.96	6.28	6.15		
100	96	139	137	2	0.22	3.07	4.57	3.00	2.59	2.54		
100	96	139	137	2	0.22	3.07	4.57	3.00	2.67	2.62		
111	99	166	152	2.5	0.25	2.69	4.00	2.63	5.35	5.28		
107	99	166	157	3	0.32	2.09	3.11	2.04	7.18	7.04		
107	99	166	157	3	0.32	2.09	3.11	2.04	7.29	7.15		
105	101	149	144	2	0.23	2.90	4.31	2.83	3.34	3.27		
105	101	149	144	2	0.23	2.90	4.31	2.83	3.43	3.37		
104	101	149	141	2	0.30	2.25	3.34	2.20	4.43	4.31		
119	104	176	162	2.5	0.24	2.84	4.23	2.78	6.3	6.21		
110	104	176	166	3	0.33	2.06	3.06	2.01	8.42	8.25		
110	104	176	166	3	0.33	2.06	3.06	2.01	8.53	8.35		
110	107	158	153	2.1	0.23	2.95	4.40	2.89	3.98	3.9		
110	107	158	153	2.1	0.23	2.95	4.40	2.89	4.06	3.98		

Note: For the bearings other than ULTAGE Series, outer rings with oil inlets and oil grooves can also be made based on your request.
 In this case, supplementary suffix "D1" is added after a bearing number. Example: 21317D1
 B-221

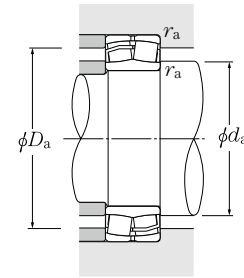
Spherical Roller Bearings

WBW



Spherical Roller Bearings

WBW



Dynamic equivalent radial load

$$P_r = X F_r + Y F_a$$

$\frac{F_a}{F_r} \leq e$		$\frac{F_a}{F_r} > e$	
X	Y	X	Y
1	Y ₁	0.67	Y ₂

Static equivalent radial load

$$P_{0r} = F_r + Y_0 F_a$$

For values of e, Y₁, Y₂ and Y₀ see the table below.

d 95 ~ 130mm

	Boundary dimensions				Basic load rating		Fatigue load limit C _u	Allowable speed		Bearing numbers ¹⁾		
	mm				dynamic kN	static kN		min ⁻¹	Oil lubrication	Cylindrical bore	Tapered bore ²⁾	
	d	D	B	r _{s min} ³⁾ W ₀	C _r	C _{0r}		Grease lubrication				
95	200	45	3	7	4	375	420	54.0	2 100	2 700	21319	21319K
	200	67	3	12	6	732	751	43.4	2 300	2 800	*22319EAD1	*22319EAKD1
	200	67	3	12	6	732	751	43.4	2 300	2 800	*22319EMD1	*22319EMKD1
100	165	52	2	8	4	464	563	30.7	2 400	3 000	*23120EAD1	*23120EAKD1
	165	52	2	8	4	480	590	32.1	2 400	3 000	*23120EMD1	*23120EMKD1
	180	46	2.1	11	5	472	495	36.9	2 800	3 600	*22220EAD1	*22220EAKD1
	180	46	2.1	11	5	472	495	36.9	2 800	3 600	*22220EMD1	*22220EMKD1
	180	60.3	2.1	9	4.5	586	661	36.3	2 300	2 900	*23220EMD1	*23220EMKD1
	215	47	3	9	5	410	465	42.5	2 000	2 600	21320	21320K
	215	73	3	13	6	827	844	50.1	2 100	2 600	*22320EAD1	*22320EAKD1
215	73	3	13	6	827	844	50.1	2 100	2 600	*22320EMD1	*22320EMKD1	
110	170	45	2	8	3.5	417	517	32.1	2 600	3 300	*23022EAD1	*23022EAKD1
	170	45	2	8	3.5	417	517	32.1	2 600	3 300	*23022EMD1	*23022EMKD1
	180	56	2	9	4	547	669	36.2	2 200	2 800	*23122EAD1	*23122EAKD1
	180	56	2	9	4	547	669	36.2	2 200	2 800	*23122EMD1	*23122EMKD1
	180	69	2	8	4	622	769	35.7	2 200	2 700	*24122EMD1	*24122EMK30D1
	200	53	2.1	12	6	602	643	45.0	2 600	3 300	*22222EAD1	*22222EAKD1
	200	53	2.1	12	6	602	643	45.0	2 600	3 300	*22222EMD1	*22222EMKD1
	200	69.8	2.1	11	5	752	869	43.9	2 100	2 600	*23222EMD1	*23222EMKD1
	240	50	3	9	5	550	615	61.5	1 800	2 300	21322	21322K
240	80	3	16	7	975	972	59.0	2 000	2 400	*22322EAD1	*22322EAKD1	
240	80	3	16	7	975	972	59.0	2 000	2 400	*22322EMD1	*22322EMKD1	
120	180	46	2	8	3.5	446	577	35.8	2 400	3 100	*23024EAD1	*23024EAKD1
	180	46	2	8	3.5	446	577	35.8	2 400	3 100	*23024EMD1	*23024EMKD1
	180	60	2	8	3.5	526	726	34.4	2 100	2 600	*24024EMD1	*24024EMK30D1
	200	62	2	10	4.5	663	820	43.4	2 000	2 500	*23124EAD1	*23124EAKD1
	200	62	2	10	4.5	663	820	43.4	2 000	2 500	*23124EMD1	*23124EMKD1
	200	80	2	10	4.5	756	991	41.3	1 900	2 500	*24124EMD1	*24124EMK30D1
	215	58	2.1	12	6	688	753	49.9	2 400	3 000	*22224EAD1	*22224EAKD1
	215	58	2.1	12	6	688	753	49.9	2 400	3 000	*22224EMD1	*22224EMKD1
	215	76	2.1	11	5	857	998	49.8	1 900	2 400	*23224EMD1	*23224EMKD1
	260	86	3	18	8	1 170	1 280	68.4	1 800	2 200	*22324EAD1	*22324EAKD1
260	86	3	18	8	1 170	1 280	68.4	1 800	2 200	*22324EMD1	*22324EMKD1	
130	200	52	2	9	4	565	721	44.2	2 200	2 900	*23026EAD1	*23026EAKD1
	200	52	2	9	4	565	721	44.2	2 200	2 900	*23026EMD1	*23026EMKD1

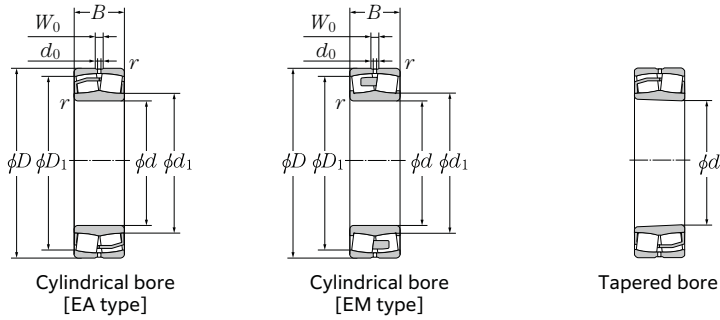
1) Bearing part numbers with * are ULTAGE Series and have outer ring oil holes and oil grooves as standard. 2) Bearings appended with "K" have a tapered bore ratio of 1:12; bearings appended with "K30" have a tapered bore ratio of 1:30. 3) Smallest allowable dimension for chamfer dimension r. B-222

Installation-related dimensions					Constant e	Axial load factors			Mass (approx.) kg	
mm						Y ₁	Y ₂	Y ₀	Cylindrical bore	Tapered bore
d ₁	d _{a min}	D _{a max}	D ₁	r _{as max}						
127	109	186	171	2.5	0.22	3.01	4.48	2.94	7.1	7
120	109	186	174	3	0.32	2.09	3.11	2.04	9.91	9.71
120	109	186	174	3	0.32	2.09	3.11	2.04	10.0	9.82
114	111	154	147	2	0.28	2.39	3.56	2.34	4.37	4.24
114	111	154	147	2	0.28	2.39	3.56	2.34	4.45	4.32
118	112	168	161	2.1	0.24	2.84	4.23	2.78	4.9	4.8
118	112	168	161	2.1	0.24	2.84	4.23	2.78	5.02	4.93
118	112	168	159	2.1	0.31	2.18	3.24	2.13	6.51	6.33
133	114	201	179	2.5	0.22	3.01	4.48	2.94	8.89	8.78
127	114	201	187	3	0.34	1.98	2.94	1.93	12.6	12.3
127	114	201	187	3	0.34	1.98	2.94	1.93	12.9	12.7
123	119	161	155	2	0.23	2.95	4.40	2.89	3.66	3.55
123	119	161	155	2	0.23	2.95	4.40	2.89	3.66	3.55
125	121	169	161	2	0.28	2.43	3.61	2.37	5.66	5.49
125	121	169	161	2	0.28	2.43	3.61	2.37	5.53	5.36
121	121	169	158	2	0.36	1.90	2.83	1.86	6.75	6.65
130	122	188	179	2.1	0.25	2.69	4.00	2.63	7.1	6.95
130	122	188	179	2.1	0.25	2.69	4.00	2.63	7.3	7.15
130	122	188	176	2.1	0.32	2.12	3.15	2.07	9.41	9.14
146	124	226	203	2.5	0.21	3.20	4.77	3.13	11.2	11.1
139	124	226	209	3	0.32	2.09	3.11	2.04	17	16.6
139	124	226	209	3	0.32	2.09	3.11	2.04	17.4	17.1
134	129	171	165	2	0.22	3.14	4.67	3.07	4.02	3.9
134	129	171	165	2	0.22	3.14	4.67	3.07	4.02	3.9
132	129	171	161	2	0.29	2.32	3.45	2.26	5.28	5.21
138	131	189	179	2	0.28	2.43	3.61	2.37	7.72	7.49
138	131	189	179	2	0.28	2.43	3.61	2.37	7.77	7.54
136	131	189	173	2	0.37	1.84	2.74	1.80	10	9.87
141	132	203	193	2.1	0.25	2.74	4.08	2.68	8.88	8.68
141	132	203	193	2.1	0.25	2.74	4.08	2.68	9.01	8.82
139	132	203	190	2.1	0.32	2.09	3.11	2.04	11.7	11.3
156	134	246	225	3	0.32	2.09	3.11	2.04	22.3	21.9
156	134	246	225	3	0.32	2.09	3.11	2.04	22.7	22.2
145	139	191	183	2	0.22	3.01	4.48	2.94	5.88	5.71
145	139	191	183	2	0.22	3.01	4.48	2.94	5.9	5.73

Note: For the bearings other than ULTAGE Series, outer rings with oil inlets and oil grooves can also be made based on your request. In this case, supplementary suffix "D1" is added after a bearing number. Example: 21322D1

Spherical Roller Bearings

WBW



Cylindrical bore [EA type]

Cylindrical bore [EM type]

Tapered bore

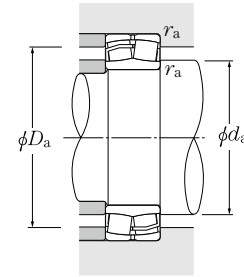
d 130 ~ 160mm

d	Boundary dimensions				Basic load rating		Fatigue load limit kN C _u	Allowable speed		Bearing numbers ¹⁾	
	mm	mm	mm	mm	dynamic kN C _r	static kN C _{0r}		min ⁻¹ Grease lubrication	Oil lubrication	Cylindrical bore	Tapered bore ²⁾
130	200	69	2	9	4	682	936	42.2	1 900	2 400	*24026EMD1 *24026EMK30D1
	210	64	2	10	4.5	710	906	47.1	1 900	2 400	*23126EAD1 *23126EAKD1
	210	64	2	10	4.5	710	906	47.1	1 900	2 400	*23126EMD1 *23126EMKD1
	210	80	2	10	4.5	803	1 080	45.0	1 800	2 400	*24126EMD1 *24126EMK30D1
	230	64	3	13	6	808	898	56.6	2 200	2 800	*22226EAD1 *22226EAKD1
	230	64	3	13	6	808	898	56.6	2 200	2 800	*22226EMD1 *22226EMKD1
	230	80	3	12	5	958	1 130	55.4	1 700	2 300	*23226EMD1 *23226EMKD1
	280	93	4	19	9	1 330	1 400	77.8	1 600	2 000	*22326EAD1 *22326EAKD1
	280	93	4	19	9	1 330	1 400	77.8	1 600	2 000	*22326EMD1 *22326EMKD1
140	210	53	2	9	4	597	783	47.5	2 100	2 700	*23028EAD1 *23028EAKD1
	210	53	2	9	4	597	783	47.5	2 100	2 700	*23028EMD1 *23028EMKD1
	210	69	2	9	4	709	990	46.0	1 800	2 200	*24028EMD1 *24028EMK30D1
	225	68	2.1	11	5	802	1 030	53.1	1 800	2 200	*23128EAD1 *23128EAKD1
	225	68	2.1	11	5	802	1 030	53.1	1 800	2 200	*23128EMD1 *23128EMKD1
	225	85	2.1	10	4.5	951	1 280	53.3	1 700	2 200	*24128EMD1 *24128EMK30D1
	250	68	3	14	7	912	1 010	65.8	2 000	2 500	*22228EAD1 *22228EAKD1
	250	68	3	14	7	912	1 010	65.8	2 000	2 500	*22228EMD1 *22228EMKD1
	250	88	3	13	6	1 140	1 370	64.2	1 600	2 100	*23228EMD1 *23228EMKD1
	300	102	4	19	9	1 540	1 720	88.8	1 500	1 900	*22328EAD1 *22328EAKD1
300	102	4	19	9	1 540	1 720	88.8	1 500	1 900	*22328EMD1 *22328EMKD1	
150	225	56	2.1	10	4.5	660	893	52.9	2 000	2 500	*23030EAD1 *23030EAKD1
	225	56	2.1	10	4.5	660	893	52.9	2 000	2 500	*23030EMD1 *23030EMKD1
	225	75	2.1	10	4.5	789	1 140	51.2	1 700	2 100	*24030EMD1 *24030EMK30D1
	250	80	2.1	13	6	1 060	1 350	65.1	1 600	2 000	*23130EAD1 *23130EAKD1
	250	80	2.1	13	6	1 060	1 350	65.1	1 600	2 000	*23130EMD1 *23130EMKD1
	250	100	2.1	12	6	1 180	1 590	62.8	1 600	2 000	*24130EMD1 *24130EMK30D1
	270	73	3	15	7	1 080	1 220	74.4	1 800	2 300	*22230EAD1 *22230EAKD1
	270	73	3	15	7	1 080	1 220	74.4	1 800	2 300	*22230EMD1 *22230EMKD1
	270	96	3	14	6	1 340	1 620	74.0	1 500	1 900	*23230EMD1 *23230EMKD1
	320	108	4	20	9	1 740	1 890	98.9	1 400	1 700	*22330EAD1 *22330EMKD1
160	220	45	2	9	4	455	683	45.6	1 900	2 400	*23932EMD1 *23932EMKD1
	240	60	2.1	11	5	748	1 000	59.1	1 800	2 300	*23032EAD1 *23032EAKD1
	240	60	2.1	11	5	748	1 000	59.1	1 800	2 300	*23032EMD1 *23032EMKD1
	240	80	2.1	10	5	901	1 290	56.8	1 600	2 000	*24032EMD1 *24032EMK30D1
	270	86	2.1	14	6	1 220	1 580	73.6	1 500	1 900	*23132EAD1 *23132EAKD1
	270	86	2.1	14	6	1 220	1 580	73.6	1 500	1 900	*23132EMD1 *23132EMKD1

1) Bearing part numbers with * are ULTAGE Series and have outer ring oil holes and oil grooves as standard. 2) Bearings appended with "K" have a tapered bore ratio of 1:12; bearings appended with "K30" have a tapered bore ratio of 1:30. 3) Smallest allowable dimension for chamfer dimension r.

Spherical Roller Bearings

WBW



Dynamic equivalent radial load

$$P_r = X F_r + Y F_a$$

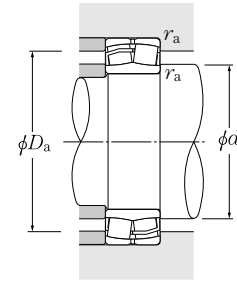
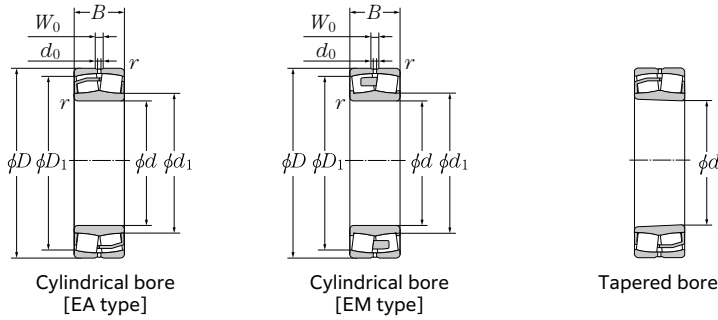
$\frac{F_a}{F_r} \leq e$	$\frac{F_a}{F_r} > e$
X	Y
1	Y ₂

Static equivalent radial load

$$P_{0r} = F_r + Y_0 F_a$$

For values of e, Y₁, Y₂ and Y₀ see the table below.

d ₁	Installation-related dimensions				Constant	Axial load factors			Mass (approx.) kg	
	mm	mm	mm	mm		e	Y ₁	Y ₂	Y ₀	Cylindrical bore
143	139	191	178	2	0.31	2.20	3.27	2.15	7.82	7.71
148	141	199	189	2	0.27	2.51	3.74	2.45	8.45	8.19
148	141	199	189	2	0.27	2.51	3.74	2.45	8.51	8.25
146	141	199	183	2	0.34	1.96	2.92	1.92	10.7	10.5
151	144	216	206	3	0.25	2.69	4.00	2.63	11	10.7
151	144	216	206	3	0.25	2.69	4.00	2.63	11.1	10.9
150	144	216	203	3	0.32	2.12	3.15	2.07	13.8	13.4
164	147	263	243	4	0.33	2.06	3.06	2.01	27.2	26.6
164	147	263	243	4	0.33	2.06	3.06	2.01	28	27.5
155	149	201	193	2	0.22	3.14	4.67	3.07	6.32	6.13
155	149	201	193	2	0.22	3.14	4.67	3.07	6.37	6.18
153	149	201	188	2	0.28	2.37	3.53	2.32	8.27	8.15
159	152	213	203	2.1	0.26	2.55	3.80	2.50	10.3	9.94
159	152	213	203	2.1	0.26	2.55	3.80	2.50	10.3	10
156	152	213	198	2.1	0.34	1.98	2.94	1.93	12.9	12.8
163	154	236	224	3	0.25	2.74	4.08	2.68	13.9	13.6
163	154	236	224	3	0.25	2.74	4.08	2.68	14.2	13.9
162	154	236	220	3	0.33	2.06	3.06	2.01	18.2	17.7
181	157	283	261	4	0.33	2.03	3.02	1.98	34.4	33.7
181	157	283	261	4	0.33	2.03	3.02	1.98	35.4	34.7
167	161	214	207	2.1	0.21	3.20	4.77	3.13	7.68	7.45
167	161	214	207	2.1	0.21	3.20	4.77	3.13	7.73	7.5
165	161	214	202	2.1	0.29	2.32	3.45	2.26	10.4	10.3
171	162	238	223	2.1	0.29	2.35	3.50	2.30	15.7	15.2
171	162	238	223	2.1	0.29	2.35	3.50	2.30	15.8	15.3
168	162	238	216	2.1	0.36	1.85	2.76	1.81	19.7	19.4
177	164	256	242	3	0.25	2.74	4.08	2.68	17.6	17.3
177	164	256	242	3	0.25	2.74	4.08	2.68	18	17.7
174	164	256	237	3	0.33	2.03	3.02	1.98	23.6	22.9
188	167	303	279	4	0.34	2.00	2.98	1.96	42.2	41.3
175	169	211	205	2	0.17	3.90	5.81	3.81	5.09	4.94
177	171	229	221	2.1	0.21	3.20	4.77	3.13	9.32	9.03
177	171	229	221	2.1	0.21	3.20	4.77	3.13	9.37	9.09
175	171	229	215	2.1	0.29	2.32	3.45	2.26	12.6	12.4
185	172	258	240	2.1	0.29	2.35	3.50	2.30	20.1	19.5
185	172	258	240	2.1	0.29	2.35	3.50	2.30	20.2	19.6



Dynamic equivalent radial load
 $P_r = XF_r + YF_a$

$\frac{F_a}{F_r} \leq e$		$\frac{F_a}{F_r} > e$	
X	Y	X	Y
1	Y ₁	0.67	Y ₂

Static equivalent radial load

$P_{0r} = F_r + Y_0 F_a$

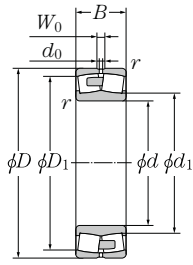
For values of e, Y₁, Y₂ and Y₀ see the table below.

d 160 ~ 190mm

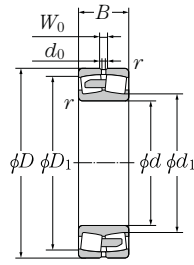
d	Boundary dimensions					Basic load rating		Fatigue load limit C _u	Allowable speed		Bearing numbers ¹⁾	
	D	B	r _{s min} ³⁾	W ₀	d ₀	d _r (kN)	C _{0r} (kN)		min ⁻¹ Grease lubrication	Oil lubrication	Cylindrical bore	Tapered bore ²⁾
160	270	109	2.1	14	6	1 360	1 860	70.6	1 500	1 800	*24132EMD1	*24132EMK30D1
	290	80	3	17	8	1 220	1 390	84.1	1 700	2 100	*22232EAD1	*22232EAKD1
	290	80	3	17	8	1 220	1 390	84.1	1 700	2 100	*22232EMD1	*22232EMKD1
	290	104	3	15	7	1 550	1 890	83.8	1 400	1 800	*23232EMD1	*23232EMKD1
	340	114	4	20	10	1 950	2 210	109	1 300	1 600	*22332EMD1	*22332EMKD1
170	230	45	2	9	4.5	468	723	48.8	1 800	2 300	*23934EMD1	*23934EMKD1
	260	67	2.1	12	5	914	1 240	68.8	1 700	2 200	*23034EAD1	*23034EAKD1
	260	67	2.1	12	5	914	1 240	68.8	1 700	2 200	*23034EMD1	*23034EMKD1
	260	90	2.1	11	5	1 100	1 600	66.3	1 500	1 900	*24034EMD1	*24034EMK30D1
	280	88	2.1	14	6	1 270	1 700	77.3	1 400	1 800	*23134EAD1	*23134EAKD1
	280	88	2.1	14	6	1 270	1 700	77.3	1 400	1 800	*23134EMD1	*23134EMKD1
	280	109	2.1	14	6	1 410	1 990	74.4	1 400	1 700	*24134EMD1	*24134EMK30D1
	310	86	4	18	8	1 400	1 610	94.7	1 600	2 000	*22234EMD1	*22234EMKD1
	310	110	4	16	8	1 700	2 070	94.6	1 300	1 700	*23234EMD1	*23234EMKD1
	360	120	4	20	10	2 200	2 630	121	1 200	1 500	*22334EMD1	*22334EMKD1
180	250	52	2	10	5	573	869	57.2	1 700	2 100	*23936EMD1	*23936EMKD1
	280	74	2.1	13	6	1 080	1 450	78.6	1 600	2 000	*23036EAD1	*23036EAKD1
	280	74	2.1	13	6	1 080	1 450	78.6	1 600	2 000	*23036EMD1	*23036EMKD1
	280	100	2.1	13	6	1 310	1 880	76.0	1 400	1 800	*24036EMD1	*24036EMK30D1
	300	96	3	15	7	1 490	1 960	88.7	1 300	1 700	*23136EAD1	*23136EAKD1
	300	96	3	15	7	1 490	1 960	88.7	1 300	1 700	*23136EMD1	*23136EMKD1
	300	118	3	15	7	1 660	2 290	85.5	1 300	1 600	*24136EMD1	*24136EMK30D1
	320	86	4	18	8	1 450	1 660	101	1 500	1 900	*22236EMD1	*22236EMKD1
	320	112	4	16	8	1 800	2 270	101	1 200	1 600	*23236EMD1	*23236EMKD1
	380	126	4	21	10	2 420	2 810	132	1 100	1 400	*22336EMD1	*22336EMKD1
190	260	52	2	10	5	603	935	62.8	1 600	2 000	*23938EMD1	*23938EMKD1
	290	75	2.1	13	6	1 140	1 570	83.5	1 500	1 900	*23038EAD1	*23038EAKD1
	290	75	2.1	13	6	1 140	1 570	83.5	1 500	1 900	*23038EMD1	*23038EMKD1
	290	100	2.1	13	6	1 360	2 000	80.7	1 300	1 700	*24038EMD1	*24038EMK30D1
	320	104	3	17	8	1 670	2 250	100	1 200	1 600	*23138EMD1	*23138EMKD1
	320	128	3	16	8	1 900	2 700	96.8	1 200	1 500	*24138EMD1	*24138EMK30D1
	340	92	4	20	9	1 620	1 870	112	1 400	1 800	*22238EMD1	*22238EMKD1
	340	120	4	18	8	1 990	2 480	109	1 200	1 500	*23238EMD1	*23238EMKD1
	400	132	5	21	10	2 600	3 120	145	1 000	1 300	*22338EMD1	*22338EMKD1

Installation-related dimensions					Constant e	Axial load factors			Mass (approx.) kg	
d ₁	d _{a min}	D _{a max}	D ₁	r _{as max}		Y ₁	Y ₂	Y ₀	Cylindrical bore	Tapered bore
181	172	258	232	2.1	0.37	1.83	2.72	1.79	25.4	25.1
190	174	276	260	3	0.25	2.69	4.00	2.63	22.3	21.8
190	174	276	260	3	0.25	2.69	4.00	2.63	22.9	22.4
187	174	276	254	3	0.33	2.03	3.02	1.98	29.6	28.8
205	177	323	296	4	0.33	2.03	3.02	1.98	50.5	49.5
185	179	221	215	2	0.16	4.11	6.12	4.02	5.39	5.23
190	181	249	238	2.1	0.22	3.07	4.57	3.00	12.7	12.3
190	181	249	238	2.1	0.22	3.07	4.57	3.00	12.8	12.4
186	181	249	231	2.1	0.30	2.23	3.32	2.18	17.2	16.9
195	182	268	250	2.1	0.28	2.39	3.56	2.34	21.5	20.9
195	182	268	250	2.1	0.28	2.39	3.56	2.34	21.6	20.9
193	182	268	243	2.1	0.35	1.91	2.85	1.87	26.7	26.3
201	187	293	277	4	0.26	2.60	3.87	2.54	28.3	27.7
199	187	293	272	4	0.33	2.03	3.02	1.98	35.8	34.8
223	187	343	313	4	0.32	2.09	3.11	2.04	60.3	59.1
199	189	241	232	2	0.17	3.90	5.81	3.81	7.79	7.56
201	191	269	255	2.1	0.23	2.95	4.40	2.89	16.8	16.3
201	191	269	255	2.1	0.23	2.95	4.40	2.89	16.9	16.4
199	191	269	248	2.1	0.31	2.15	3.20	2.10	22.8	22.4
205	194	286	267	3	0.29	2.32	3.45	2.26	27.2	26.4
205	194	286	267	3	0.29	2.32	3.45	2.26	27.4	26.5
202	194	286	259	3	0.36	1.87	2.79	1.83	33.5	33
209	197	303	287	4	0.25	2.74	4.08	2.68	29.3	28.7
210	197	303	282	4	0.33	2.06	3.06	2.01	38.2	37.1
229	197	363	329	4	0.32	2.09	3.11	2.04	70.2	68.7
209	199	251	243	2	0.17	4.05	6.04	3.96	8.2	7.96
213	201	279	266	2.1	0.22	3.01	4.48	2.94	17.8	17.3
213	201	279	266	2.1	0.22	3.01	4.48	2.94	17.9	17.4
209	201	279	258	2.1	0.30	2.23	3.32	2.18	23.8	23.4
221	204	306	284	3	0.29	2.32	3.45	2.26	34.3	33.2
216	204	306	275	3	0.37	1.84	2.74	1.80	42.1	41.5
222	207	323	305	4	0.25	2.74	4.08	2.68	35.6	34.9
220	207	323	299	4	0.33	2.03	3.02	1.98	46.1	44.7
247	210	380	346	5	0.32	2.12	3.15	2.07	81.5	79.9

1) Bearing part numbers with * are ULTAGE Series and have outer ring oil holes and oil grooves as standard.
 2) Bearings appended with "K" have a tapered bore ratio of 1:12; bearings appended with "K30" have a tapered bore ratio of 1:30.
 3) Smallest allowable dimension for chamfer dimension r.



Cylindrical bore [EM type]



Cylindrical bore [EM type (large size)]

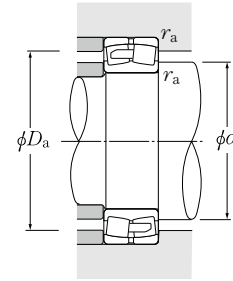


Tapered bore

d 200 ~ 280mm

d	Boundary dimensions					Basic load rating		Fatigue load limit kN C _u	Allowable speed		Bearing numbers ¹⁾	
	mm					dynamic kN C _r	static C _{0r}		Grease lubrication	Oil lubrication	Cylindrical bore	Tapered bore ²⁾
	D	B	r _{s min} ³⁾	W ₀	d ₀	min ⁻¹	min ⁻¹					
200	280	60	2.1	12	6	766	1 190	71.8	1 500	1 900	*23940EMD1	*23940EMKD1
	310	82	2.1	15	7	1 310	1 790	94.1	1 400	1 800	*23040EMD1	*23040EMKD1
	310	109	2.1	14	7	1 570	2 280	91.1	1 200	1 600	*24040EMD1	*24040EMK30D1
	340	112	3	18	8	1 890	2 510	110	1 100	1 400	*23140EMD1	*23140EMKD1
	340	140	3	17	8	2 130	2 930	105	1 100	1 400	*24140EMD1	*24140EMK30D1
	360	98	4	20	10	1 810	2 100	124	1 400	1 700	*22240EMD1	*22240EMKD1
	360	128	4	19	9	2 250	2 840	120	1 100	1 300	*23240EMD1	*23240EMKD1
	420	138	5	21	10	2 830	3 530	158	950	1 200	*22340EMD1	*22340EMKD1
220	300	60	2.1	12	6	789	1 260	79.4	1 400	1 700	*23944EMD1	*23944EMKD1
	340	90	3	15	7	1 530	2 110	109	1 300	1 600	*23044EMD1	*23044EMKD1
	340	118	3	15	7	1 850	2 720	106	1 100	1 400	*24044EMD1	*24044EMK30D1
	370	120	4	19	9	2 190	2 940	128	1 000	1 300	*23144EMD1	*23144EMKD1
	370	150	4	19	9	2 540	3 620	124	1 000	1 300	*24144EMD1	*24144EMK30D1
	400	108	4	21	11	2 210	2 690	149	1 200	1 500	*22244EMD1	*22244EMKD1
	400	144	4	20	10	2 890	3 830	147	1 000	1 200	*23244EMD1	*23244EMKD1
	460	145	5	20	12	3 010	3 560	163	850	1 090	*22344EMD1	*22344EMKD1
240	320	60	2.1	12	6	815	1 350	87.7	1 300	1 600	*23948EMD1	*23948EMKD1
	360	92	3	16	8	1 630	2 350	120	1 100	1 400	*23048EMD1	*23048EMKD1
	360	118	3	16	8	1 940	2 980	116	1 000	1 300	*24048EMD1	*24048EMK30D1
	400	128	4	20	9	2 510	3 500	147	960	1 200	*23148EMD1	*23148EMKD1
	400	160	4	19	9	2 910	4 290	142	960	1 200	*24148EMD1	*24148EMK30D1
	440	120	4	16	10	2 470	3 110	159	1 060	1 350	*22248EMD1	*22248EMKD1
	440	160	4	20	12	3 140	4 260	156	850	1 090	*23248EMD1	*23248EMKD1
	500	155	5	20	12	3 500	4 170	193	780	1 000	*22348EMD1	*22348EMKD1
260	360	75	2.1	14	7	1 130	1 940	105	1 100	1 400	*23952EMD1	*23952EMKD1
	400	104	4	18	8	2 060	2 910	144	1 000	1 300	*23052EMD1	*23052EMKD1
	400	140	4	18	8	2 520	3 820	139	960	1 200	*24052EMD1	*24052EMK30D1
	440	144	4	20	12	2 780	4 020	160	860	1 090	*23152EMD1	*23152EMKD1
	440	180	4	27	16	3 290	4 880	147	850	1 090	*24152EMD1	*24152EMK30D1
	480	130	5	20	12	2 890	3 680	183	970	1 240	*22252EMD1	*22252EMKD1
	480	174	5	27	16	3 650	5 050	180	780	1 000	*23252EMD1	*23252EMKD1
	540	165	6	27	16	4 020	4 830	221	720	920	*22352EMD1	*22352EMKD1
280	380	75	2.1	14	7	1 180	2 050	115	1 000	1 300	*23956EMD1	*23956EMKD1
	420	106	4	18	8	2 170	3 150	155	960	1 200	*23056EMD1	*23056EMKD1

1) Bearing part numbers with * are ULTAGE Series and have outer ring oil holes and oil grooves as standard. Bearing models having outer diameter D dimension of 440 mm or more are the EM type (large size). 2) Bearings appended with "K" have a tapered bore ratio of 1:12; bearings appended with "K30" have a tapered bore ratio of 1:30. 3) Smallest allowable dimension for chamfer dimension r.



Dynamic equivalent radial load
 $P_r = X F_r + Y F_a$

$\frac{F_a}{F_r} \leq e$		$\frac{F_a}{F_r} > e$	
X	Y	X	Y
1	Y ₁	0.67	Y ₂

Static equivalent radial load

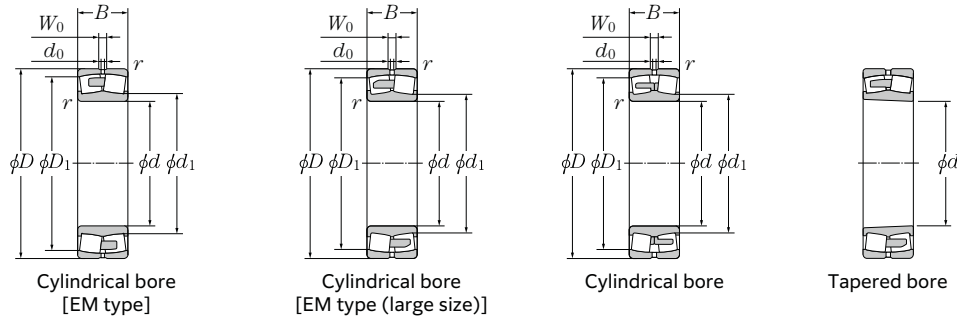
$$P_{0r} = F_r + Y_0 F_a$$

For values of e, Y₁, Y₂ and Y₀ see the table below.

d ₁	Installation-related dimensions				Constant e	Axial load factors			Mass (approx.) kg	
	mm					Y ₁	Y ₂	Y ₀	Cylindrical bore	Tapered bore
	d _{a min}	D _{a max}	D ₁	r _{as max}						
221	211	269	260	2.1	0.18	3.76	5.59	3.67	12	11.6
223	211	299	283	2.1	0.23	2.95	4.40	2.89	22.8	22.1
221	211	299	275	2.1	0.31	2.18	3.24	2.13	30.2	29.7
231	214	326	301	3	0.30	2.25	3.34	2.20	41.9	40.6
224	214	326	291	3	0.39	1.74	2.59	1.70	51.5	50.7
234	217	343	323	4	0.25	2.74	4.08	2.68	42.7	41.8
232	217	343	315	4	0.34	1.98	2.94	1.93	55.2	53.6
265	220	400	364	5	0.31	2.15	3.20	2.10	94.6	92.7
241	231	289	280	2.1	0.17	4.05	6.04	3.96	12.5	12.1
246	233	327	310	3	0.23	2.95	4.40	2.89	29.9	29.1
243	233	327	302	3	0.31	2.20	3.27	2.15	39.2	38.6
252	237	353	328	4	0.30	2.28	3.39	2.23	52.3	50.7
247	237	353	317	4	0.38	1.78	2.65	1.74	65.2	64.3
264	237	383	358	4	0.25	2.74	4.08	2.68	59.6	58.4
261	237	383	349	4	0.34	2.00	2.98	1.96	79.4	77.1
277	240	440	388	5	0.32	2.10	3.13	2.06	119	116
262	251	309	301	2.1	0.15	4.40	6.56	4.31	13.5	13.1
267	253	347	329	3	0.22	3.07	4.57	3.00	32	31.7
264	253	347	322	3	0.28	2.37	3.53	2.32	42.2	41.6
276	257	383	356	4	0.29	2.32	3.45	2.26	65.1	63.1
270	257	383	344	4	0.37	1.82	2.70	1.78	81	79.8
288	257	423	383	4	0.27	2.53	3.77	2.47	82.6	80.9
284	257	423	372	4	0.36	1.86	2.77	1.82	108	105
299	260	480	421	5	0.32	2.12	3.15	2.07	149	146
292	271	349	335	2.1	0.17	3.90	5.81	3.81	23.9	23.1
291	275	385	366	4	0.23	2.95	4.40	2.89	47.8	46.3
286	275	385	354	4	0.31	2.16	3.22	2.12	63.6	62.6
302	277	423	380	4	0.31	2.15	3.20	2.10	92.2	89.5
295	277	423	371	4	0.40	1.69	2.52	1.65	111	109
312	280	460	415	5	0.27	2.53	3.77	2.47	108	105
310	280	460	405	5	0.36	1.87	2.79	1.83	143	139
324	286	514	456	6	0.31	2.16	3.22	2.12	186	183
310	291	369	356	2.1	0.16	4.16	6.20	4.07	25.2	24.4
310	295	405	386	4	0.22	3.07	4.57	3.00	51.3	49.7

Spherical Roller Bearings

WBW



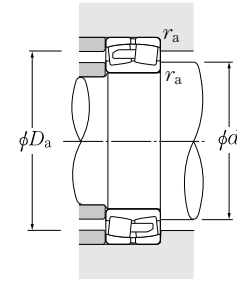
d 280 ~ 360mm

d	Boundary dimensions					Basic load rating		Fatigue load limit kN C _u	Allowable speed		Bearing numbers ¹⁾	
	mm	mm	mm	mm	mm	dynamic kN C _r	static kN C _{0r}		min ⁻¹	Oil lubrication	Cylindrical bore	Tapered bore ²⁾
280	420	140	4	18	8	2 620	4 060	150	880	1 100	*24056EMD1	*24056EMK30D1
	460	146	5	20	12	2 980	4 400	182	810	1 030	*23156EMD1	*23156EMKD1
	460	180	5	27	16	3 550	5 450	167	810	1 030	*24156EMD1	*24156EMK30D1
	500	130	5	20	12	3 010	3 920	198	920	1 180	*22256EMD1	*22256EMKD1
	500	176	5	27	16	3 810	5 420	193	740	950	*23256EMD1	*23256EMKD1
	580	175	6	27	16	4 490	5 450	249	670	860	*22356EMD1	*22356EMKD1
300	420	90	3	14	8	1 600	2 620	145	890	1 140	*23960EMD1	*23960EMKD1
	460	118	4	16	10	2 400	3 610	176	890	1 130	*23060EMD1	*23060EMKD1
	460	160	4	20	12	3 150	5 190	166	760	970	*24060EMD1	*24060EMK30D1
	500	160	5	20	12	3 540	5 170	205	750	950	*23160EMD1	*23160EMKD1
	500	200	5	27	16	4 270	6 610	198	750	950	*24160EMD1	*24160EMK30D1
	540	140	5	20	12	3 470	4 590	232	860	1 080	*22260EMD1	*22260EMKD1
	540	192	5	27	16	4 520	6 280	228	690	880	*23260EMD1	*23260EMKD1
	620	185	7.5	27	16	4 000	5 400	490	550	720	22360B	22360BK
320	440	90	3	14	8	1 670	2 820	154	840	1 080	*23964EMD1	*23964EMKD1
	480	121	4	20	12	2 540	4 020	191	850	1 070	*23064EMD1	*23064EMKD1
	480	160	4	20	12	3 250	5 400	184	720	920	*24064EMD1	*24064EMK30D1
	540	176	5	27	16	4 020	6 020	227	700	880	*23164EMD1	*23164EMKD1
	540	218	5	33	20	5 010	7 720	225	690	880	*24164EMD1	*24164EMK30D1
	580	150	5	20	12	3 950	5 100	261	800	1 020	*22264EMD1	*22264EMKD1
	580	208	5	33	20	5 230	7 370	259	640	820	*23264EMD1	*23264EMKD1
340	460	90	3	14	8	1 710	2 980	162	800	1 020	*23968EMD1	*23968EMKD1
	520	133	5	20	12	2 990	4 690	219	790	1 000	*23068EMD1	*23068EMKD1
	520	180	5	27	16	3 910	6 510	206	670	860	*24068EMD1	*24068EMK30D1
	580	190	5	27	16	4 670	6 870	257	650	830	*23168EMD1	*23168EMKD1
	580	243	5	33	20	5 980	9 340	254	650	830	*24168EMD1	*24168EMK30D1
	620	224	6	33	20	4 950	8 000	585	490	630	23268B	23268BK
	360	480	90	3	14	8	1 750	3 090	171	760	970	*23972EMD1
540		134	5	20	12	3 070	4 910	232	750	950	*23072EMD1	*23072EMKD1
540		180	5	27	16	4 040	6 840	220	640	820	*24072EMD1	*24072EMK30D1
600		192	5	27	16	4 200	7 050	530	490	630	23172B	23172BK
600		243	5	33	20	5 100	9 150	470	490	630	24172B	24172BK30
650		232	6	33	20	5 400	8 700	620	450	590	23272B	23272BK

1) Bearing part numbers with * are ULTAGE Series and have outer ring oil holes and oil grooves as standard. Bearing models having outer diameter *D* dimension of 440 mm or more are the EM type (large size). 2) Bearings appended with "K" have a tapered bore ratio of 1:12; bearings appended with "K30" have a tapered bore ratio of 1:30. 3) Smallest allowable dimension for chamfer dimension *r*.

Spherical Roller Bearings

WBW



Dynamic equivalent radial load
 $P_r = X F_r + Y F_a$

$\frac{F_a}{F_r} \leq e$		$\frac{F_a}{F_r} > e$	
X	Y	X	Y
1	Y ₁	0.67	Y ₂

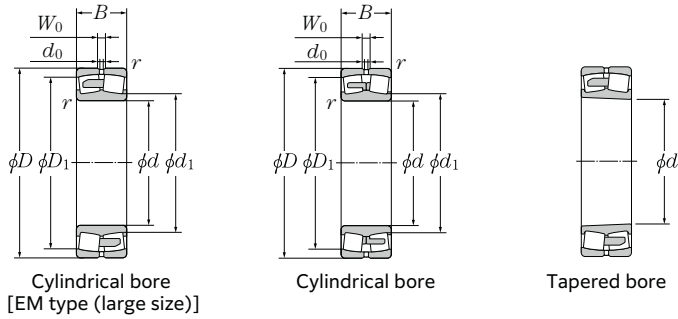
Static equivalent radial load

$$P_{0r} = F_r + Y_0 F_a$$

For values of *e*, *Y*₁, *Y*₂ and *Y*₀ see the table below.

Installation-related dimensions					Constant	Axial load factors			Mass (approx.) kg	
mm						<i>e</i>	<i>Y</i> ₁	<i>Y</i> ₂	<i>Y</i> ₀	Cylindrical bore
306	295	405	376	4	0.29	2.30	3.42	2.25	67.3	66.3
322	300	440	403	5	0.30	2.23	3.32	2.18	98.4	95.3
316	300	440	394	5	0.38	1.78	2.65	1.74	118	117
333	300	480	437	5	0.25	2.69	4.00	2.63	113	111
331	300	480	426	5	0.35	1.95	2.90	1.91	152	148
349	306	554	489	6	0.31	2.18	3.24	2.13	228	223
329	313	407	387	3	0.20	3.42	5.09	3.34	40.1	39.2
338	315	445	413	4	0.24	2.81	4.19	2.75	72.9	70.9
332	315	445	401	4	0.33	2.04	3.04	2.00	98.0	96.9
345	320	480	436	5	0.31	2.20	3.27	2.15	129	125
340	320	480	425	5	0.39	1.74	2.59	1.70	159	157
358	320	520	469	5	0.25	2.69	4.00	2.63	134	131
352	320	520	461	5	0.35	1.92	2.86	1.88	194	188
381	336	584	522	6	0.32	2.13	3.17	2.08	270	265
350	333	427	407	3	0.19	3.62	5.39	3.54	42.1	40.8
360	335	465	433	4	0.23	2.92	4.35	2.86	78.9	76.6
352	335	465	423	4	0.31	2.15	3.20	2.10	104	102
373	340	520	468	5	0.31	2.15	3.20	2.10	169	164
363	340	520	457	5	0.39	1.71	2.54	1.67	204	201
383	340	560	510	5	0.25	2.69	4.00	2.63	177	174
376	340	560	493	5	0.35	1.91	2.85	1.87	245	238
370	353	447	427	3	0.18	3.80	5.66	3.72	44.5	43.1
384	358	502	466	5	0.24	2.87	4.27	2.80	98.5	95.5
377	358	502	456	5	0.33	2.06	3.06	2.01	140	137
393	360	560	500	5	0.32	2.12	3.15	2.07	213	206
385	360	560	486	5	0.41	1.65	2.46	1.61	266	262
435	368	592	598	5	0.37	1.84	2.75	1.80	300	291
390	373	467	447	3	0.17	4.00	5.96	3.91	46.2	44.8
405	378	522	488	5	0.23	2.98	4.44	2.92	111	108
398	378	522	478	5	0.31	2.16	3.22	2.12	147	145
417	382	578	520	4	0.32	2.11	3.15	2.07	222	215
414	382	578	507	4	0.40	1.67	2.48	1.63	281	277
429	388	622	551	5	0.36	1.87	2.78	1.83	339	329

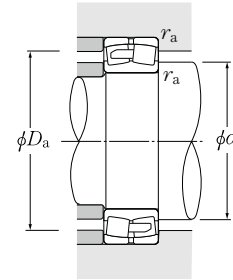
Note: Bearings other than the ULTAGE Series with outer diameter *D* dimension of 320 mm or more are also provided with outer ring oil inlets and oil grooves.



d 380 ~ 480mm

d	Boundary dimensions					Basic load rating		Fatigue load limit kN C _u	Allowable speed		Bearing numbers ¹⁾	
	mm					dynamic	static		Grease	Oil	Cylindrical bore	Tapered bore ²⁾
	D	B	r _{s min} ³⁾	W ₀	d ₀	C _r	C _{0r}		lubrication	lubrication		
380	520	106	4	16	10	2 300	3 920	205	710	910	*23976EMD1	*23976EMKD1
	560	135	5	20	12	3 230	5 270	247	720	910	*23076EMD1	*23076EMKD1
	560	180	5	27	16	4 140	7 280	240	610	780	*24076EMD1	*24076EMK30D1
	620	194	5	27	16	4 350	7 500	560	450	590	23176B	23176BK
	620	243	5	33	20	5 350	9 650	570	450	590	24176B	24176BK30
	680	240	6	33	20	5 800	9 650	665	430	550	23276B	23276BK
400	540	106	4	16	10	2 370	4 170	215	680	870	*23980EMD1	*23980EMKD1
	600	148	5	20	12	3 300	6 050	450	520	680	23080B	23080BK
	600	200	5	27	16	4 250	8 400	485	460	600	24080B	24080BK30
	650	200	6	27	16	4 650	8 050	630	430	560	23180B	23180BK
	650	250	6	33	20	5 650	10 300	585	430	560	24180B	24180BK30
	720	256	6	33	20	6 500	10 600	740	400	520	23280B	23280BK
420	560	106	4	16	10	2 390	4 320	230	650	830	*23984EMD1	*23984EMKD1
	620	150	5	20	12	3 450	6 400	475	490	640	23084B	23084BK
	620	200	5	27	16	4 300	8 450	470	440	570	24084B	24084BK30
	700	224	6	33	20	5 800	9 950	680	410	530	23184B	23184BK
	700	280	6	33	20	6 850	12 200	755	410	530	24184B	24184BK30
	760	272	7.5	33	20	7 300	12 000	820	380	490	23284B	23284BK
440	600	118	4	16	10	2 260	4 700	325	500	650	23988	23988K
	650	157	6	20	12	3 650	6 850	530	470	610	23088B	23088BK
	650	212	6	33	20	4 800	9 450	530	420	540	24088B	24088BK30
	720	226	6	33	20	5 800	10 100	685	390	500	23188B	23188BK
	720	280	6	33	20	7 200	13 100	715	390	500	24188B	24188BK30
	790	280	7.5	33	20	7 700	12 800	870	360	470	23288B	23288BK
460	620	118	4	16	10	2 340	4 950	325	480	620	23992	23992K
	680	163	6	27	16	4 000	7 450	560	450	580	23092B	23092BK
	680	218	6	33	20	5 100	10 200	590	390	510	24092B	24092BK30
	760	240	7.5	33	20	6 350	11 400	775	360	470	23192B	23192BK
	760	300	7.5	33	20	7 900	14 500	805	360	470	24192B	24192BK30
	830	296	7.5	33	20	8 650	14 500	925	340	440	23292B	23292BK
480	650	128	5	20	12	2 590	5 500	365	450	590	23996	23996K
	700	165	6	27	16	4 050	7 700	570	420	550	23096B	23096BK
	700	218	6	33	20	5 200	10 500	610	380	490	24096B	24096BK30

1) Bearing part numbers with * are the ULTAGE Series EM type (large size) and have outer ring oil holes and oil grooves as standard.
 2) Bearings appended with "K" have a tapered bore ratio of 1:12; bearings appended with "K30" have a tapered bore ratio of 1:30.
 3) Smallest allowable dimension for chamfer dimension r.



Dynamic equivalent radial load

$$P_r = X F_r + Y F_a$$

$\frac{F_a}{F_r} \leq e$		$\frac{F_a}{F_r} > e$	
X	Y	X	Y
1	Y ₁	0.67	Y ₂

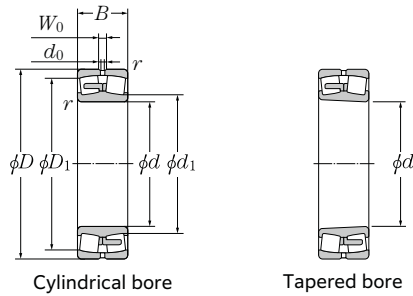
Static equivalent radial load

$$P_{0r} = F_r + Y_0 F_a$$

For values of e, Y₁, Y₂ and Y₀ see the table below.

Installation-related dimensions					Constant	Axial load factors			Mass (approx.) kg	
mm						e	Y ₁	Y ₂	Y ₀	Cylindrical bore
d ₁	d _{a min}	D _{a max}	D ₁	r _{as max}						
412	395	505	481	4	0.18	3.66	5.46	3.58	68.0	65.9
425	398	542	509	5	0.22	3.07	4.57	3.00	117	113
420	398	542	499	5	0.30	2.25	3.34	2.20	154	151
436	402	598	540	4	0.31	2.16	3.22	2.12	235	228
431	402	598	529	4	0.39	1.73	2.58	1.69	292	287
453	408	652	575	5	0.36	1.89	2.82	1.85	380	369
433	415	525	501	4	0.18	3.80	5.66	3.72	71.4	69.2
451	422	578	542	4	0.24	2.80	4.16	2.73	149	144
446	422	578	528	4	0.32	2.09	3.11	2.04	202	200
458	428	622	567	5	0.31	2.21	3.29	2.16	264	256
453	428	622	552	5	0.38	1.77	2.63	1.73	329	324
473	428	692	612	5	0.37	1.81	2.69	1.77	457	443
454	435	545	522	4	0.17	3.95	5.88	3.86	74.9	72.6
471	442	598	562	4	0.24	2.85	4.24	2.79	157	152
465	442	598	551	4	0.32	2.13	3.17	2.08	210	207
488	448	672	611	5	0.32	2.11	3.15	2.07	354	343
477	448	672	592	5	0.40	1.69	2.51	1.65	440	433
501	456	724	643	6	0.36	1.86	2.77	1.82	544	528
483	458	582	551	3	0.18	3.66	5.46	3.58	101	98
490	468	622	585	5	0.24	2.85	4.24	2.79	181	175
486	468	622	576	5	0.32	2.11	3.15	2.07	245	241
504	468	692	627	5	0.31	2.15	3.21	2.11	370	358
498	468	692	614	5	0.39	1.75	2.61	1.71	456	449
525	476	754	671	6	0.36	1.88	2.80	1.84	600	582
503	478	602	572	3	0.17	3.95	5.88	3.86	107	104
512	488	652	613	5	0.23	2.88	4.29	2.82	206	200
509	488	652	604	5	0.31	2.15	3.21	2.11	276	272
534	496	724	660	6	0.31	2.14	3.19	2.10	443	429
523	496	724	645	6	0.39	1.71	2.55	1.67	550	541
547	496	794	703	6	0.36	1.87	2.78	1.83	704	683
527	502	628	599	4	0.18	3.85	5.73	3.76	123	119
532	508	672	633	5	0.23	2.94	4.38	2.88	217	209
530	508	672	625	5	0.30	2.22	3.30	2.17	285	280

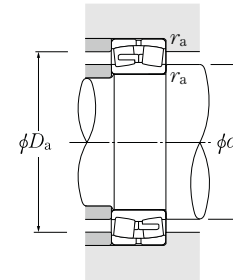
Note: Outer ring oil inlets/oil grooves are provided.



d 480 ~ 630mm

d	Boundary dimensions					Basic load rating		Fatigue load limit kN C _u	Allowable speed		Bearing numbers	
	D	B	r _{s min} ²⁾	W ₀	d ₀	d _{yn} kN C _r	C _{0r}		Grease lubrication	Oil lubrication	Cylindrical bore	Tapered bore ¹⁾
480	790	248	7.5	33	20	6 900	12 300	860	350	450	23196B	23196BK
	790	308	7.5	33	20	8 250	15 300	860	350	450	24196B	24196BK30
	870	310	7.5	33	20	9 200	15 500	1 000	320	420	23296B	23296BK
500	670	128	5	20	12	2 640	5 600	460	430	560	239/500	239/500K
	720	167	6	27	16	4 250	8 300	645	410	530	230/500B	230/500BK
	720	218	6	33	20	5 300	10 900	640	350	460	240/500B	240/500BK30
	830	264	7.5	33	20	7 700	13 700	875	330	430	231/500B	231/500BK
	830	325	7.5	42	25	9 000	16 700	870	330	430	241/500B	241/500BK30
	920	336	7.5	42	25	10 500	17 800	1 100	310	400	232/500B	232/500BK
530	710	136	5	20	12	2 940	6 450	400	400	520	239/530	239/530K
	780	185	6	27	16	4 850	9 350	710	380	490	230/530B	230/530BK
	780	250	6	33	20	6 200	12 700	700	330	430	240/530B	240/530BK30
	870	272	7.5	33	20	7 800	14 200	920	310	400	231/530B	231/530BK
	870	335	7.5	42	25	9 250	17 400	910	310	400	241/530B	241/530BK30
980	355	9.5	42	25	11 500	19 800	1 210	280	370	232/530B	232/530BK	
560	750	140	5	20	12	3 200	6 900	525	380	490	239/560	239/560K
	820	195	6	27	16	5 350	10 500	800	350	450	230/560B	230/560BK
	820	258	6	33	20	6 750	14 100	750	310	400	240/560B	240/560BK30
	920	280	7.5	33	20	8 550	15 500	1 000	280	370	231/560B	231/560BK
	920	355	7.5	42	25	11 100	20 800	1 030	280	370	241/560B	241/560BK30
	1 030	365	9.5	42	25	12 300	21 100	1 320	260	340	232/560B	232/560BK
	800	150	5	20	12	3 600	8 000	490	350	450	239/600	239/600K
600	870	200	6	27	16	5 800	12 000	835	310	420	230/600B	230/600BK
	870	272	6	33	20	7 150	15 600	750	280	370	240/600B	240/600BK30
	980	300	7.5	33	20	10 000	18 400	1 160	260	340	231/600B	231/600BK
	980	375	7.5	42	25	11 900	23 200	1 130	260	340	241/600B	241/600BK30
	1 090	388	9.5	42	25	13 600	23 700	930	250	320	232/600B	232/600BK
	850	165	6	27	16	4 100	9 250	545	320	420	239/630	239/630K
630	920	212	7.5	33	20	6 550	13 000	950	310	400	230/630B	230/630BK
	920	290	7.5	33	20	8 400	17 900	915	270	350	240/630B	240/630BK30
	1 030	315	7.5	33	20	10 700	19 900	1 190	250	320	231/630B	231/630BK
	1 030	400	7.5	42	25	12 900	25 000	1 200	250	320	241/630B	241/630BK30
	1 150	412	12	42	25	15 200	26 800	1 540	230	300	232/630B	232/630BK

1) Bearings appended with "K" have a tapered bore ratio of 1:12; bearings appended with "K30" have a tapered bore ratio of 1:30.
2) Smallest allowable dimension for chamfer dimension r.



Dynamic equivalent radial load

$$P_r = X F_r + Y F_a$$

$\frac{F_a}{F_r} \leq e$		$\frac{F_a}{F_r} > e$	
X	Y	X	Y
1	Y ₁	0.67	Y ₂

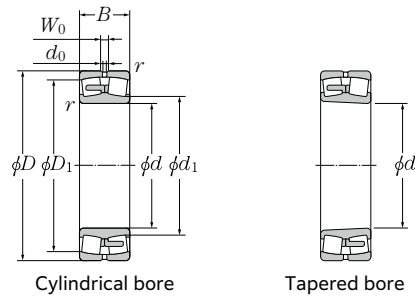
Static equivalent radial load

$$P_{0r} = F_r + Y_0 F_a$$

For values of e, Y₁, Y₂ and Y₀ see the table below.

Installation-related dimensions					Constant	Axial load factors			Mass (approx.) kg	
mm						e	Y ₁	Y ₂	Y ₀	Cylindrical bore
d ₁	d _{a min}	D _{a max}	D ₁	r _{as max}						
554	516	754	687	6	0.31	2.15	3.21	2.11	492	477
546	516	754	671	6	0.39	1.74	2.59	1.70	608	600
574	516	834	737	6	0.36	1.87	2.78	1.83	814	790
547	522	648	621	4	0.17	4.02	5.98	3.93	131	127
552	528	692	653	5	0.23	2.98	4.44	2.92	226	218
550	528	692	646	5	0.30	2.28	3.40	2.23	295	290
580	536	794	724	6	0.32	2.12	3.16	2.08	584	566
572	536	794	703	6	0.39	1.72	2.57	1.69	716	705
600	536	884	773	6	0.39	1.74	2.59	1.70	1 000	971
579	552	688	654	4	0.17	3.95	5.88	3.86	157	152
594	558	752	704	5	0.22	3.03	4.52	2.97	306	295
586	558	752	689	5	0.30	2.24	3.33	2.19	413	406
617	566	834	757	6	0.30	2.22	3.30	2.17	653	633
605	566	834	737	6	0.38	1.79	2.67	1.75	800	788
600	574	936	723	8	0.39	1.74	2.59	1.70	1 200	1 170
547	582	728	621	4	0.16	4.10	6.10	4.01	182	176
627	588	792	741	5	0.22	3.03	4.51	2.96	353	340
620	588	792	726	5	0.30	2.29	3.40	2.24	467	459
650	596	884	801	6	0.30	2.27	3.38	2.22	752	729
638	596	884	787	6	0.39	1.75	2.61	1.71	948	934
677	604	986	867	8	0.36	1.88	2.80	1.84	1 360	1 320
654	622	778	739	4	0.18	3.85	5.73	3.76	218	211
672	628	842	785	5	0.21	3.17	4.72	3.10	400	386
667	628	842	770	5	0.29	2.33	3.47	2.28	544	535
694	636	944	860	6	0.30	2.22	3.30	2.17	908	880
685	636	944	832	6	0.37	1.81	2.70	1.77	1 130	1 110
722	644	1 046	919	8	0.36	1.86	2.77	1.82	1 540	1 490
690	658	822	781	5	0.18	3.66	5.46	3.58	277	268
704	666	884	834	6	0.22	3.14	4.67	3.07	481	464
697	666	884	815	6	0.30	2.28	3.40	2.23	657	646
731	666	994	899	6	0.30	2.27	3.38	2.22	1 050	1 020
718	666	994	872	6	0.38	1.78	2.66	1.74	1 330	1 310
760	684	1 096	969	10	0.36	1.87	2.78	1.83	1 900	1 840

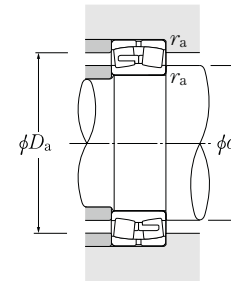
Note: Outer ring oil inlets/oil grooves are provided.



d 670 ~ 950mm

	Boundary dimensions					Basic load rating		Fatigue load limit kN C _u	Allowable speed		Bearing numbers	
	mm					dynamic C _r	static C _{0r}		Grease lubrication	Oil lubrication	Cylindrical bore	Tapered bore ¹⁾
	d	D	B	r _{s min} ²⁾	W ₀							
670	900	170	6	27	16	4 550	10 300	795	300	390	239/670	239/670K
	980	230	7.5	33	20	7 300	14 600	1 000	280	360	230/670B	230/670BK
	980	308	7.5	33	20	9 650	20 600	1 040	250	320	240/670B	240/670BK30
	1 090	336	7.5	42	25	12 500	23 600	1 400	230	300	231/670B	231/670BK
	1 090	412	7.5	42	25	14 100	28 000	1 340	230	300	241/670B	241/670BK30
	1 220	438	12	42	25	17 900	32 000	1 770	220	280	232/670B	232/670BK
710	950	180	6	27	16	4 950	11 500	665	280	370	239/710	239/710K
	1 030	236	7.5	33	20	8 000	16 200	1 140	260	340	230/710B	230/710BK
	1 030	315	7.5	33	20	10 300	22 500	1 150	230	300	240/710B	240/710BK30
	1 150	345	9.5	42	25	13 000	24 900	1 470	220	280	231/710B	231/710BK
	1 150	438	9.5	42	25	16 100	32 000	1 190	220	280	241/710B	241/710BK30
	1 280	450	12	42	25	18 100	32 500	1 200	200	260	232/710B	232/710BK
750	1 000	185	6	27	16	5 600	13 000	990	260	340	239/750	239/750K
	1 090	250	7.5	33	20	9 100	18 300	1 290	250	320	230/750B	230/750BK
	1 090	335	7.5	42	25	11 300	24 600	1 230	220	280	240/750B	240/750BK30
	1 220	365	9.5	42	25	14 300	27 200	1 130	200	260	231/750B	231/750BK
	1 360	475	15	42	25	20 300	36 500	1 980	180	240	232/750B	232/750BK
800	1 060	195	6	27	16	6 000	13 700	1 040	240	310	239/800	239/800K
	1 150	258	7.5	33	20	9 350	19 500	1 340	220	290	230/800B	230/800BK
	1 150	345	7.5	42	25	12 400	27 800	1 360	200	260	240/800B	240/800BK30
	1 280	375	9.5	42	25	16 000	31 000	1 780	180	240	231/800B	231/800BK
850	1 120	200	6	27	16	6 500	15 100	1 080	220	290	239/850	239/850K
	1 220	272	7.5	33	20	10 900	22 700	1 510	210	270	230/850B	230/850BK
	1 220	365	7.5	42	25	13 900	31 500	1 490	180	240	240/850B	240/850BK30
	1 360	400	12	42	25	17 300	34 000	1 380	170	220	231/850B	231/850BK
900	1 180	206	6	33	20	7 400	17 300	1 230	210	270	239/900	239/900K
	1 280	280	7.5	33	20	11 400	24 700	1 580	190	250	230/900B	230/900BK
	1 280	375	7.5	42	25	14 700	33 500	1 580	170	220	240/900B	240/900BK30
	1 420	412	12	42	25	18 700	38 000	2 030	150	200	231/900B	231/900BK
950	1 250	224	7.5	33	20	8 650	20 500	1 390	190	250	239/950	239/950K
	1 360	300	7.5	33	20	12 800	28 400	1 750	180	230	230/950B	230/950BK
	1 360	412	7.5	42	25	17 200	40 000	1 780	160	210	240/950B	240/950BK30

1) Bearings appended with "K" have a tapered bore ratio of 1:12; bearings appended with "K30" have a tapered bore ratio of 1:30.
2) Smallest allowable dimension for chamfer dimension r.



Dynamic equivalent radial load

$$P_r = X F_r + Y F_a$$

$\frac{F_a}{F_r} \leq e$		$\frac{F_a}{F_r} > e$	
X	Y	X	Y
1	Y ₁	0.67	Y ₂

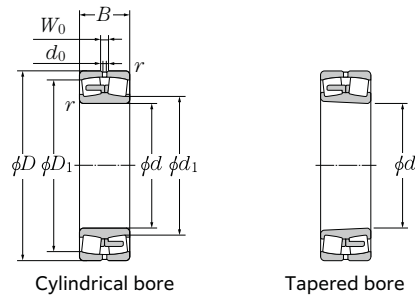
Static equivalent radial load

$$P_{0r} = F_r + Y_0 F_a$$

For values of e, Y₁, Y₂ and Y₀ see the table below.

Installation-related dimensions					Constant	Axial load factors			Mass (approx.) kg	
mm						e	Y ₁	Y ₂	Y ₀	Cylindrical bore
d ₁	d _{a min}	D _{a max}	D ₁	r _{as max}						
733	698	872	830	5	0.18	3.76	5.59	3.67	317	307
750	706	944	886	6	0.22	3.07	4.57	3.00	594	573
741	706	944	870	6	0.29	2.29	3.41	2.24	794	781
773	706	1 054	956	6	0.30	2.22	3.30	2.17	1 250	1 210
764	706	1 054	926	6	0.37	1.83	2.73	1.79	1 530	1 510
807	724	1 166	1 034	10	0.36	1.89	2.81	1.85	2 270	2 200
778	738	922	876	5	0.18	3.85	5.73	3.76	375	363
792	746	994	937	6	0.22	3.02	4.50	2.96	663	640
783	746	994	916	6	0.29	2.36	3.51	2.31	884	870
822	754	1 106	1 005	8	0.29	2.32	3.45	2.27	1 420	1 380
805	754	1 106	979	8	0.37	1.83	2.72	1.79	1 800	1 770
851	764	1 226	1 081	10	0.35	1.91	2.84	1.87	2 540	2 470
818	778	972	924	5	0.17	3.90	5.81	3.81	412	399
834	786	1 054	991	6	0.21	3.20	4.76	3.13	790	763
828	786	1 054	969	6	0.29	2.35	3.49	2.29	1 060	1 040
868	794	1 176	1 066	8	0.29	2.32	3.45	2.27	1 700	1 650
903	814	1 296	1 149	12	0.35	1.92	2.86	1.88	3 050	2 960
868	828	1 032	983	5	0.17	4.05	6.04	3.96	487	471
893	836	1 114	1 049	6	0.21	3.15	4.69	3.08	890	859
881	836	1 114	1 026	6	0.28	2.41	3.59	2.36	1 190	1 170
912	844	1 236	1 122	8	0.29	2.32	3.45	2.27	1 890	1 830
924	878	1 092	1 043	5	0.16	4.25	6.32	4.15	550	532
945	886	1 184	1 114	6	0.20	3.32	4.95	3.25	1 050	1 010
936	886	1 184	1 089	6	0.28	2.42	3.61	2.37	1 410	1 390
979	904	1 306	1 194	10	0.28	2.37	3.54	2.32	2 270	2 200
974	928	1 152	1 101	5	0.16	4.32	6.44	4.23	623	603
999	936	1 244	1 167	6	0.20	3.32	4.95	3.25	1 170	1 130
988	936	1 244	1 147	6	0.27	2.48	3.70	2.43	1 570	1 540
1 031	954	1 366	1 251	10	0.28	2.42	3.60	2.36	2 500	2 420
1 029	986	1 214	1 165	6	0.16	4.20	6.26	4.11	774	749
1 063	986	1 324	1 239	6	0.21	3.26	4.85	3.18	1 430	1 380
1 044	986	1 324	1 213	6	0.28	2.39	3.56	2.34	1 970	1 940

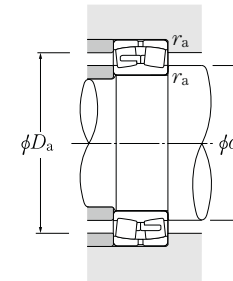
Note: Outer ring oil inlets/oil grooves are provided.



d 1000 ~ 1400mm

	Boundary dimensions					Basic load rating		Fatigue load limit kN C _u	Allowable speed		Bearing numbers	
	mm					dynamic kN C _r	static kN C _{0r}		Grease lubrication	Oil lubrication	Cylindrical bore	Tapered bore ¹⁾
1000	1 320	236	7.5	33	20	9 550	22 700	1 520	180	230	239/1000	239/1000K
	1 420	308	7.5	33	20	13 800	30 000	1 460	170	220	230/1000B	230/1000BK
	1 420	412	7.5	42	25	17 800	42 000	1 890	150	190	240/1000B	240/1000BK30
1060	1 400	250	7.5	33	20	10 400	24 700	1 670	160	210	239/1060	239/1060K
	1 500	325	9.5	42	25	15 100	33 500	1 610	150	200	230/1060B	230/1060BK
	1 500	438	9.5	42	25	19 800	47 000	2 060	140	180	240/1060B	240/1060BK30
1120	1 460	250	7.5	33	20	10 900	26 700	1 470	150	200	239/1120	239/1120K
	1 580	345	9.5	42	25	17 400	39 000	2 310	150	190	230/1120B	230/1120BK
	1 580	462	9.5	42	25	21 700	52 500	2 230	120	160	240/1120B	240/1120BK30
1180	1 540	272	7.5	33	20	12 200	29 800	1 650	140	180	239/1180	239/1180K
1250	1 630	280	7.5	33	20	13 400	33 500	1 810	120	160	239/1250	239/1250K
1320	1 720	300	7.5	33	20	15 100	38 000	1 930	120	150	239/1320	239/1320K
1400	1 820	315	9.5	33	20	16 800	43 000	2 570	100	130	239/1400	239/1400K

1) Bearings appended with "K" have a tapered bore ratio of 1:12; bearings appended with "K30" have a tapered bore ratio of 1:30.
2) Smallest allowable dimension for chamfer dimension r.



Dynamic equivalent radial load

$$P_r = X F_r + Y F_a$$

$\frac{F_a}{F_r} \leq e$		$\frac{F_a}{F_r} > e$	
X	Y	X	Y
1	Y ₁	0.67	Y ₂

Static equivalent radial load

$$P_{0r} = F_r + Y_0 F_a$$

For values of e, Y₁, Y₂ and Y₀ see the table below.

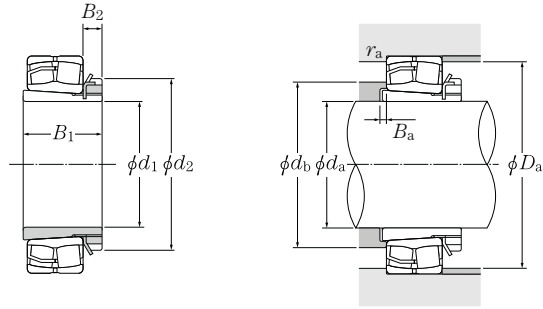
Installation-related dimensions					Constant	Axial load factors			Mass (approx.) kg	
mm						e	Y ₁	Y ₂	Y ₀	Cylindrical bore
d ₁	d _{a min}	D _{a max}	D ₁	r _{as max}						
1 084	1 036	1 284	1 230	6	0.16	4.21	6.26	4.11	916	887
1 107	1 036	1 384	1 294	6	0.20	3.37	5.02	3.29	1 580	1 520
1 097	1 036	1 384	1 272	6	0.27	2.51	3.73	2.45	2 110	2 080
1 153	1 096	1 364	1 400	6	0.16	4.20	6.26	4.11	1 090	1 060
1 172	1 104	1 456	1 368	8	0.20	3.36	5.00	3.28	1 850	1 790
1 160	1 104	1 456	1 343	8	0.27	2.49	3.71	2.44	2 450	2 140
1 208	1 156	1 424	1 362	6	0.15	4.42	6.58	4.32	1 140	1 100
1 234	1 164	1 536	1 442	8	0.21	3.19	4.75	3.12	2 160	2 090
1 227	1 164	1 536	1 418	8	0.27	2.50	3.72	2.44	2 890	2 840
1 271	1 216	1 504	1 437	6	0.15	4.40	6.56	4.31	1 390	1 340
1 352	1 286	1 594	1 525	6	0.15	4.42	6.58	4.32	1 600	1 550
1 423	1 356	1 684	1 605	6	0.16	4.34	6.46	4.24	1 900	1 840
1 513	1 444	1 776	1 703	8	0.15	4.39	6.54	4.29	2 230	2 160

Note: Outer ring oil inlets/oil grooves are provided.

Adapters

WBW

(For spherical roller bearings)



d_1 35 ~ 70mm

	Boundary dimensions				Numbers ¹⁾		Installation-related dimensions					Mass ²⁾
	mm				Bearing	Adapter	d_a	d_b	B_a	mm		kg
d_1	B_1	d_2	B_2			Min.	Max.	Min.	Min.	Max.	r_{as}	(approx.)
35	36	58	10	* 22208EAKD1;H 308X		44	50	5	71	73	1.1	0.189
	36	58	10	21308CK;H 308X		44	52	5	76	81.5	1.5	0.189
	46	58	10	* 22308EAKD1;H2308X		45	52	5	78	81	1.5	0.224
40	39	65	11	* 22209EAKD1;H 309X		49	54	8	76	78	1.1	0.248
	39	65	11	21309CK;H 309X		49	57	5	85	91.5	1.5	0.248
	50	65	11	* 22309EAKD1;H2309X		50	58	5	87	91	1.5	0.280
45	42	70	12	* 22210EAKD1;H 310X		54	59	10	81	83	1.1	0.303
	42	70	12	21310CK;H 310X		54	65	5	93	100	2	0.303
	55	70	12	* 22310EAKD1;H2310X		56	63	5	95	99	2	0.362
50	45	75	12	* 22211EAKD1;H 311X		60	66	11	90	91	1.5	0.345
	45	75	12	21311K;H 311X		60	73	6	102	110	2	0.345
	59	75	12	* 22311EAKD1;H2311X		61	68	6	104	109	2	0.420
55	47	80	13	* 22212EAKD1;H 312X		65	71	9	99	101	1.5	0.394
	47	80	13	21312K;H 312X		65	78	5	109	118	2	0.394
	62	80	13	* 22312EAKD1;H2312X		66	75	5	113	118	2.1	0.481
60	50	85	14	* 22213EAKD1;H 313X		70	78	8	107	111	1.5	0.458
	50	85	14	21313K;H 313X		70	85	5	119	128	2	0.458
	65	85	14	* 22313EAKD1;H2313X		72	81	5	122	128	2.1	0.557
65	55	98	15	* 22215EAKD1;H 315X		80	88	12	118	121	1.5	0.831
	55	98	15	21315K;H 315X		80	99	5	136	148	2	0.831
	73	98	15	* 22315EAKD1;H2315X		82	91	5	139	148	2.1	1.05
70	59	105	17	* 22216EAKD1;H 316X		86	94	12	127	129	2	1.03
	59	105	17	21316K;H 316X		86	105	5	144	158	2	1.03
	78	105	17	* 22316EAKD1;H2316X		87	98	5	148	158	2.1	1.28

1) Bearing numbers marked "*" designate ULTAGE Series. 2) Indicates the adapter mass.

Note: 1. Refer to pages B-218 to B-221 for bearing dimensions, rated loads, and mass.

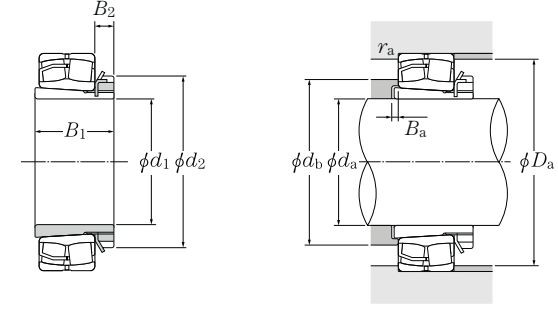
2. Refer to pages D-2 to D-10 and D-12 to D-14 for adapter locknut and washer dimensions.

3. Adapter numbers which are appended with the code "X" indicate narrow slit type adapters which use washers with straight inner tabs.

Adapters

WBW

(For spherical roller bearings)



d_1 75 ~ 115mm

	Boundary dimensions				Numbers ¹⁾		Installation-related dimensions					Mass ²⁾
	mm				Bearing	Adapter	d_a	d_b	B_a	mm		kg
d_1	B_1	d_2	B_2			Min.	Max.	Min.	Min.	Max.	r_{as}	(approx.)
75	63	110	18	* 22217EAKD1;H 317X		91	100	12	137	139	2	1.18
	63	110	18	21317K;H 317X		91	111	6	152	166	2.5	1.18
	82	110	18	* 22317EAKD1;H2317X		94	107	6	157	166	3	1.45
80	65	120	18	* 22218EAKD1;H 318X		96	105	10	144	149	2	1.37
	86	120	18	* 23218EMKD1;H2318X		99	104	18	141	149	2	1.69
	65	120	18	21318K;H 318X		96	119	6	162	176	2.5	1.37
	86	120	18	* 22318EAKD1;H2318X		99	110	6	166	176	3	1.69
85	68	125	19	* 22219EAKD1;H 319X		102	110	9	153	158	2.1	1.56
	68	125	19	21319K;H 319X		102	127	7	171	186	2.5	1.56
	90	125	19	* 22319EAKD1;H2319X		105	120	7	174	186	3	1.92
90	71	130	20	* 22220EAKD1;H 320X		107	118	8	161	168	2.1	1.69
	97	130	20	* 23220EMKD1;H2320X		110	118	19	159	168	2.1	2.15
	71	130	20	21320K;H 320X		107	133	7	179	201	2.5	1.69
	97	130	20	* 22320EAKD1;H2320X		110	127	7	187	201	3	2.15
100	81	145	21	* 23122EAKD1;H3122X		117	125	7	161	169	2	2.25
	77	145	21	* 22222EAKD1;H 322X		117	130	6	179	188	2.1	2.18
	105	145	21	* 23222EMKD1;H2322X		121	130	17	176	188	2.1	2.74
	77	145	21	21322K;H 322X		117	146	9	203	226	2.5	2.18
	105	145	21	* 22322EAKD1;H2322X		121	139	7	209	226	3	2.74
110	72	145	22	* 23024EAKD1;H3024X		127	134	7	165	171	2	1.93
	88	155	22	* 23124EAKD1;H3124X		128	138	7	179	189	2	2.64
	88	155	22	* 22224EAKD1;H2324X		128	141	11	193	203	2.1	2.64
	112	155	22	* 23224EMKD1;H2324X		131	139	17	190	203	2.1	3.19
	112	155	22	* 22324EAKD1;H2324X		131	156	7	225	246	3	3.19
115	80	155	23	* 23026EAKD1;H3026		137	145	8	183	191	2	2.85
	92	165	23	* 23126EAKD1;H3126		138	148	8	189	199	2	3.66
	92	165	23	* 22226EAKD1;H2326		138	151	8	206	216	3	3.66
	121	165	23	* 23226EMKD1;H2326		142	150	21	203	216	3	4.6
	121	165	23	* 22326EAKD1;H2326		142	164	8	243	263	4	4.6

1) Bearing numbers marked "*" designate ULTAGE Series. 2) Indicates the adapter mass.

Note: 1. Refer to pages B-220 to B-225 for bearing dimensions, rated loads, and mass.

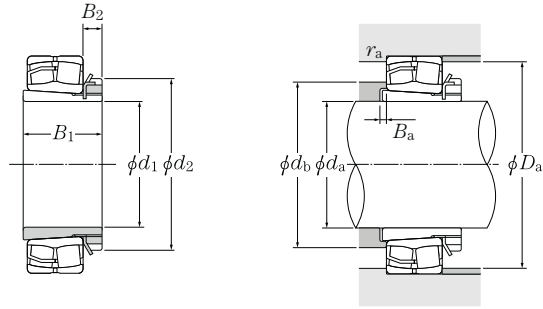
2. Refer to pages D-2 to D-10 and D-12 to D-14 for adapter locknut and washer dimensions.

3. Adapter numbers which are appended with the code "X" indicate narrow slit type adapters which use washers with straight inner tabs.

Adapters

WBW

(For spherical roller bearings)



d₁ 125 ~ 170mm

	Boundary dimensions				Numbers ¹⁾		Installation-related dimensions					Mass ²⁾	
	mm				Bearing	Adapter	d _a	d _b	B _a	D _a	r _{as}	kg	
	d ₁	B ₁	d ₂	B ₂			Min.	Max.	Min.	Min.	Max.	Max.	(approx.)
125	82	165	24		*	23028EAKD1;H3028	147	155	8	193	201	2	3.16
	97	180	24		*	23128EAKD1;H3128	149	159	8	203	213	2.1	4.34
	97	180	24		*	22228EAKD1;H3128	149	163	8	224	236	3	4.34
	131	180	24		*	23228EMKD1;H2328	152	162	22	220	236	3	5.55
	131	180	24		*	22328EAKD1;H2328	152	181	8	261	283	4	5.55
135	87	180	26		*	23030EAKD1;H3030	158	167	8	207	214	2.1	3.89
	111	195	26		*	23130EAKD1;H3130	160	171	8	223	238	2.1	5.52
	111	195	26		*	22230EAKD1;H3130	160	177	15	242	256	3	5.52
	139	195	26		*	23230EMKD1;H2330	163	174	20	237	256	3	6.63
	139	195	26		*	22330EMKD1;H2330	163	188	8	279	303	4	6.63
140	93	190	28		*	23032EAKD1;H3032	168	177	8	221	229	2.1	5.21
	119	210	28		*	23132EAKD1;H3132	170	185	8	240	258	2.1	7.67
	119	210	28		*	22232EAKD1;H3132	170	190	14	260	276	3	7.67
	147	210	28		*	23232EMKD1;H2332	174	187	18	254	276	3	9.14
	147	210	28		*	22332EMKD1;H2332	174	205	8	296	323	4	9.14
150	101	200	29		*	23034EAKD1;H3034	179	190	8	238	249	2.1	5.99
	122	220	29		*	23134EAKD1;H3134	180	195	8	250	268	2.1	8.38
	122	220	29		*	22234EAKD1;H3134	180	201	10	277	293	4	8.38
	154	220	29		*	23234EMKD1;H2334	185	199	18	272	293	4	10.2
	154	220	29		*	22334EMKD1;H2334	185	223	8	313	343	4	10.2
160	109	210	30		*	23036EAKD1;H3036	189	201	8	255	269	2.1	6.83
	131	230	30		*	23136EAKD1;H3136	191	205	8	267	286	3	9.5
	131	230	30		*	22236EMKD1;H3136	191	209	18	287	303	4	9.5
	161	230	30		*	23236EMKD1;H2336	195	210	22	282	303	4	11.3
	161	230	30		*	22336EMKD1;H2336	195	229	8	329	363	4	11.3
170	112	220	31		*	23038EAKD1;H3038	199	213	9	266	279	2.1	7.45
	141	240	31		*	23138EMKD1;H3138	202	221	9	284	306	3	10.8
	141	240	31		*	22238EMKD1;H3138	202	222	21	305	323	4	10.8
	169	240	31		*	23238EMKD1;H2338	206	220	21	299	323	4	12.6
	169	240	31		*	22338EMKD1;H2338	206	247	9	346	380	5	12.6

1) Bearing numbers marked "*" designate ULTAGE Series. 2) Indicates the adapter mass.

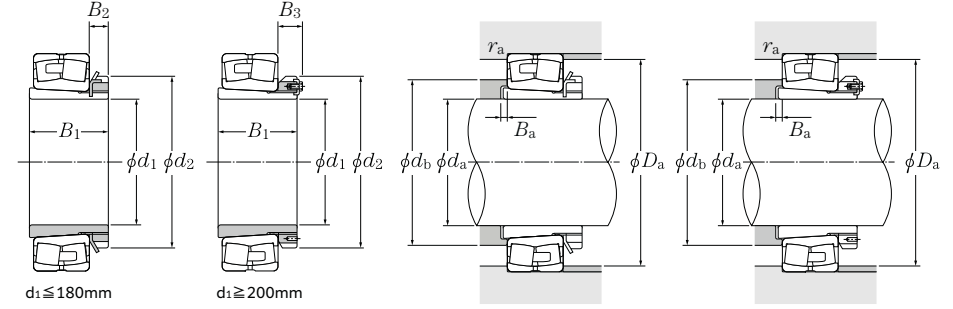
Note: 1. Refer to pages B-224 to B-227 for bearing dimensions, rated loads, and mass.

2. Refer to pages D-2 to D-10 and D-12 to D-14 for adapter locknut and washer dimensions.

Adapters

WBW

(For spherical roller bearings)



d₁ ≤ 180mm

d₁ ≥ 200mm

d₁ 180 ~ 300mm

	Boundary dimensions				Numbers ¹⁾		Installation-related dimensions					Mass ²⁾	
	mm				Bearing	Adapter	d _a	d _b	B _a	D _a	r _{as}	kg	
	d ₁	B ₁	d ₂	B ₂			Min.	Max.	Min.	Min.	Max.	Max.	(approx.)
180	120	240	32	-	*	23040EMKD1;H3040	210	223	10	283	299	2.1	9.19
	150	250	32	-	*	23140EMKD1;H3140	212	231	10	301	326	3	12.1
	150	250	32	-	*	22240EMKD1;H3140	212	234	24	323	343	4	12.1
	176	250	32	-	*	23240EMKD1;H2340	216	232	20	315	343	4	13.9
	176	250	32	-	*	22340EMKD1;H2340	216	265	10	364	400	5	13.9
200	126	260	-	41	*	23044EMKD1;H3044	231	246	12	310	327	3	10.3
	158	280	-	44	*	23144EMKD1;H3144	233	252	10	328	353	4	14.7
	158	280	-	44	*	22244EMKD1;H3144	233	264	22	358	383	4	14.7
	183	280	-	44	*	23244EMKD1;H2344	236	261	11	349	383	4	16.7
	183	280	-	44	*	22344EMKD1;H2344	236	277	10	388	440	5	16.7
220	133	290	-	46	*	23048EMKD1;H3048	251	267	11	329	347	3	13.2
	169	300	-	46	*	23148EMKD1;H3148	254	276	11	356	383	4	17.3
	169	300	-	46	*	22248EMKD1;H3148	254	288	19	383	423	4	17.3
	196	300	-	46	*	23248EMKD1;H2348	257	284	6	372	423	4	19.7
	196	300	-	46	*	22348EMKD1;H2348	257	299	11	421	480	5	19.7
240	145	310	-	46	*	23052EMKD1;H3052	272	291	13	366	385	4	15.3
	187	330	-	49	*	23152EMKD1;H3152	276	302	11	380	423	4	22
	187	330	-	49	*	22252EMKD1;H3152	276	312	25	415	460	5	22
	208	330	-	49	*	23252EMKD1;H2352	278	310	2	405	460	5	24.2
	208	330	-	49	*	22352EMKD1;H2352	278	324	11	456	514	6	24.2
260	152	330	-	50	*	23056EMKD1;H3056	292	310	12	386	405	4	17.7
	192	350	-	51	*	23156EMKD1;H3156	296	322	12	403	440	5	24.5
	192	350	-	51	*	22256EMKD1;H3156	296	333	28	437	480	5	24.5
	221	350	-	51	*	23256EMKD1;H2356	299	331	11	426	480	5	27.8
	221	350	-	51	*	22356EMKD1;H2356	299	349	12	489	554	6	27.8
280	168	360	-	54	*	23060EMKD1;H3060	313	338	12	413	445	4	22.8
	208	380	-	53	*	23160EMKD1;H3160	317	345	12	436	480	5	30.2
	208	380	-	53	*	22260EMKD1;H3160	317	358	32	469	520	5	30.2
	240	380	-	53	*	23260EMKD1;H2360	321	352	12	461	520	5	34.1
300	171	380	-	55	*	23064EMKD1;H3064	334	360	13	433	465	4	24.6
	226	400	-	56	*	23164EMKD1;H3164	339	373	13	468	520	5	34.9
	226	400	-	56	*	22264EMKD1;H3164	339	383	39	510	560	5	34.9

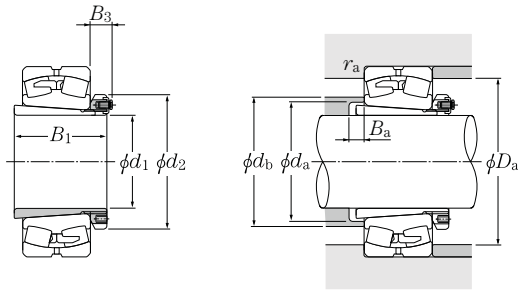
1) Bearing numbers marked "*" designate ULTAGE Series. 2) Indicates the adapter mass.

Note: 1. Refer to pages B-228 to B-231 for bearing dimensions, rated loads, and mass.

2. Refer to pages D-2 to D-10 and D-12 to D-14 for adapter locknut, washer, and lockplate dimensions.

Adapters

(For spherical roller bearings)



d_1 300 ~ 470mm

d_1	Boundary dimensions			Numbers ¹⁾		Installation-related dimensions					Mass ²⁾	
	B_1	d_2	B_2	Bearing	Adapter	d_a	d_b	B_a	D_a	r_{as}	kg (approx.)	
	mm					Min.	Max.	mm	Min.	Max.	Max.	
300	258	400	56	* 23264EMKD1;	H3264	343	376	13	493	560	5	39.3
	187	400	58	* 23068EMKD1;	H3068	355	384	14	466	502	5	28.7
320	254	440	72	* 23168EMKD1;	H3168	360	393	14	500	560	5	49.5
	288	440	72	23268BK;	H3268	364	410	14	524	592	5	54.6
	188	420	58	* 23072EMKD1;	H3072	375	405	14	488	522	5	30.5
340	259	460	75	23172BK;	H3172	380	417	14	520	578	4	54.2
	299	460	75	23272BK;	H3272	385	429	14	551	622	5	60.2
	193	450	62	* 23076EMKD1;	H3076	396	425	15	509	542	5	35.8
360	264	490	77	23176BK;	H3176	401	436	15	540	598	4	61.7
	310	490	77	23276BK;	H3276	405	453	15	575	652	5	69.6
	210	470	66	23080BK;	H3080	417	451	15	542	578	4	41.3
380	272	520	82	23180BK;	H3180	421	458	15	568	622	5	70.6
	328	520	82	23280BK;	H3280	427	473	15	612	692	5	81
400	212	490	66	23084BK;	H3084	437	471	16	562	598	4	43.7
	304	540	90	23184BK;	H3184	443	488	16	611	672	5	84.2
410	228	520	77	23088BK;	H3088	458	490	17	585	622	5	65.2
	307	560	90	23188BK;	H3188	464	504	17	627	692	5	104
430	234	540	77	23092BK;	H3092	478	512	17	613	652	5	69.5
	326	580	95	23192BK;	H3192	485	534	17	660	724	6	116
450	237	560	77	23096BK;	H3096	499	532	18	633	672	5	73.3
	335	620	95	23196BK;	H3196	505	554	18	687	754	6	133
470	247	580	85	230/500BK;	H30/500	519	552	18	653	692	5	81.8
	356	630	100	231/500BK;	H31/500	527	580	18	724	794	6	143

1) Bearing numbers marked "*" designate ULTAGE Series. 2) Indicates the adapter mass.

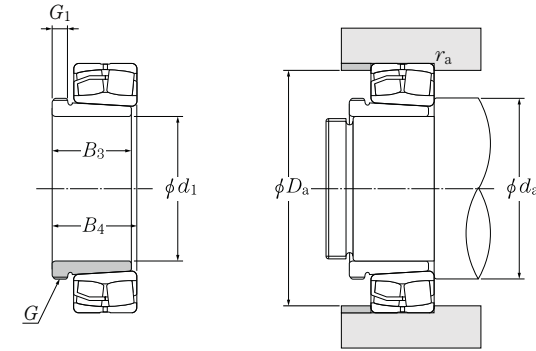
Note: 1. Refer to pages B-230 to B-235 for bearing dimensions, rated loads, and mass.

2. Refer to pages D-2 to D-10 and D-12 to D-14 for adapter locknut and lockplate dimensions.

B-244

Withdrawal Sleeves

(For spherical roller bearings)



d_1 35 ~ 70 mm

d_1	Boundary dimensions				Numbers ³⁾		Installation-related dimensions					Mass ⁴⁾	Applied nut number
	Thread nominal dimension ¹⁾	B_3	G_1	B_4 ²⁾	Bearing	Withdrawal sleeve	d_a	D_a	r_{as}	kg (approx.)	Bearing number ⁵⁾		
	mm	mm	mm	mm			mm	mm	mm	mm	Max.		
35	M45x1.5	29	6	32	* 22208EAKD1 ;	AH 308	47	50	71	73	1.1	0.09	AN09
	M45x1.5	29	6	32	21308CK ;	AH 308	48.5	52	76	81.5	1.5	0.09	AN09
	M45x1.5	40	7	43	* 22308EAKD1 ;	AH 2308	49	52	78	81	1.5	0.128	AN09
40	M50x1.5	31	6	34	* 22209EAKD1 ;	AH 309	52	54	76	78	1.1	0.109	AN10
	M50x1.5	31	6	34	21309CK ;	AH 309	53.5	57	85	91.5	1.5	0.109	AN10
	M50x1.5	44	7	47	* 22309EAKD1 ;	AH 2309	54	58	87	91	1.5	0.164	AN10
45	M55x2	35	7	38	* 22210EAKD1 ;	AHX 310	57	59	81	83	1.1	0.137	AN11
	M55x2	35	7	38	21310CK ;	AHX 310	60	65	93	100	2	0.137	AN11
	M55x2	50	9	53	* 22310EAKD1 ;	AHX 2310	61	63	95	99	2	0.209	AN11
50	M60x2	37	7	40	* 22211EAKD1 ;	AHX 311	64	66	90	91	1.5	0.161	AN12
	M60x2	37	7	40	21311K ;	AHX 311	65	73	102	110	2	0.161	AN12
	M60x2	54	10	57	* 22311EAKD1 ;	AHX 2311	66	68	104	109	2	0.253	AN12
55	M65x2	40	8	43	* 22212EAKD1 ;	AHX 312	69	71	99	101	1.5	0.189	AN13
	M65x2	40	8	43	21312K ;	AHX 312	72	78	109	118	2.1	0.189	AN13
	M65x2	58	11	61	* 22312EAKD1 ;	AHX 2312	72	75	113	118	2.1	0.297	AN13
60	M75x2	42	8	45	* 22213EAKD1 ;	AH 313	74	78	107	111	1.5	0.253	AN15
	M75x2	42	8	45	21313K ;	AH 313	77	85	119	128	2.1	0.253	AN15
	M75x2	61	12	64	* 22313EAKD1 ;	AH 2313	77	81	122	128	2.1	0.395	AN15
65	M80x2	43	8	47	* 22214EAKD1 ;	AH 314	79	84	113	116	1.5	0.28	AN16
	M80x2	43	8	47	21314K ;	AH 314	82	91	126	138	2.1	0.28	AN16
	M80x2	64	12	68	* 22314EAKD1 ;	AHX 2314	82	85	131	138	2.1	0.466	AN16
70	M85x2	45	8	49	* 22215EAKD1 ;	AH 315	84	88	118	121	1.5	0.313	AN17
	M85x2	45	8	49	21315K ;	AH 315	87	99	136	148	2.1	0.313	AN17
	M85x2	68	12	72	* 22315EAKD1 ;	AHX 2315	87	91	139	148	2.1	0.534	AN17

1) Standard thread shapes and dimensions are as per JIS B 0205-1 and JIS B 0205-4 (general metric thread).

2) Indicates reference dimensions before withdrawal sleeves are attached.

3) Bearing numbers marked "*" designate ULTAGE Series.

4) Indicates withdrawal sleeve mass.

5) Indicates the number of nuts to be used at the time of disassembly. Refer to pages D-2 to D-10 for nut dimensions.

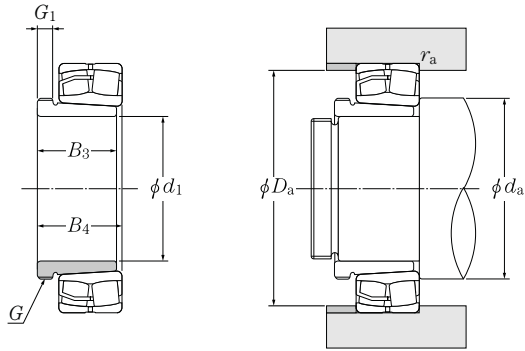
Note: Refer to pages B-218 to B-221 for bearing dimensions, rated loads, and mass.

B-245

Withdrawal Sleeves

WBW

(For spherical roller bearings)



d₁ 75 ~ 115mm

d ₁	Boundary dimensions mm				Numbers ³⁾	Installation-related dimensions mm					Mass ⁴⁾ kg	Applied nut number Bearing number ⁵⁾	
	Thread nominal dimension ¹⁾ G	B ₃	G ₁	B ₄ ²⁾		Bearing	Withdrawal sleeve	d _a Min.	d _a Max.	D _a Min.			D _a Max.
75	M90×2	48	8	52	* 22216EAKD1	;AH 316	91	94	127	129	2	0.365	AN18
	M90×2	48	8	52	21316K	;AH 316	92	105	144	158	2	0.365	AN18
	M90×2	71	12	75	* 22316EAKD1	;AHX 2316	92	98	148	158	2.1	0.597	AN18
80	M95×2	52	9	56	* 22217EAKD1	;AHX 317	96	100	137	139	2	0.429	AN19
	M95×2	52	9	56	21317K	;AHX 317	99	111	152	166	2.5	0.429	AN19
	M95×2	74	13	78	* 22317EAKD1	;AHX 2317	99	107	157	166	3.0	0.67	AN19
85	M100×2	53	9	57	* 22218EAKD1	;AHX 318	101	105	144	149	2	0.461	AN20
	M100×2	63	10	67	* 23218EMKD1	;AHX 3218	101	104	141	149	2	0.576	AN20
	M100×2	53	9	57	21318K	;AHX 318	104	119	162	176	2.5	0.461	AN20
	M100×2	79	14	83	* 22318EAKD1	;AHX 2318	104	110	166	176	3	0.779	AN20
90	M105×2	57	10	61	* 22219EAKD1	;AHX 319	107	110	153	158	2.1	0.532	AN21
	M105×2	57	10	61	21319K	;AHX 319	109	127	171	186	2.5	0.532	AN21
	M105×2	85	16	89	* 22319EAKD1	;AHX 2319	109	120	174	186	3	0.886	AN21
95	M110×2	59	10	63	* 22220EAKD1	;AHX 320	112	118	161	168	2.1	0.582	AN22
	M110×2	73	11	77	* 23220EMKD1	;AHX 3220	112	118	159	168	2.1	0.767	AN22
	M110×2	59	10	63	21320K	;AHX 320	114	133	179	201	2.5	0.582	AN22
	M110×2	90	16	94	* 22320EAKD1	;AHX 2320	114	127	187	201	3	0.998	AN22
105	M120×2	68	11	72	* 23122EAKD1	;AHX 3122	121	125	161	169	2	0.76	AN24
	M115×2	82	13	91	* 24122EMK30D1	;AH 24122	121	121	158	169	2	0.73	AN23
	M120×2	68	11	72	* 22222EAKD1	;AHX 3122	122	130	179	188	2.1	0.76	AN24
	M125×2	82	11	86	* 23222EMKD1	;AHX 3222	122	130	176	188	2.1	1.04	AN25
	M120×2	63	12	67	21322K	;AHX 322	124	146	203	226	2.5	0.663	AN24
	M125×2	98	16	102	* 22322EAKD1	;AHX 2322	124	139	209	226	3	1.35	AN25
115	M130×2	60	13	64	* 23024EAKD1	;AHX 3024	129	134	165	171	2	0.75	AN26
	M125×2	73	13	82	* 24024EMK30D1	;AH 24024	129	132	161	171	2	0.65	AN25
	M130×2	75	12	79	* 23124EAKD1	;AHX 3124	131	138	179	189	2	0.95	AN26
	M130×2	93	13	102	* 24124EMK30D1	;AH 24124	131	136	173	189	2	1	AN26

1) Standard thread shapes and dimensions are as per JIS B 0205-1 and JIS B 0205-4 (general metric thread).

2) Indicates reference dimensions before withdrawal sleeves are attached.

3) Bearing numbers marked "*" designate ULTAGE Series.

4) Indicates withdrawal sleeve mass.

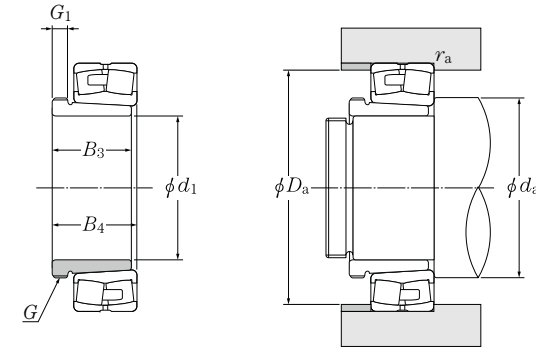
5) Indicates the number of nuts to be used at the time of disassembly. Refer to pages D-2 to D-10 for nut dimensions.

Note: Refer to pages B-220 to B-223 for bearing dimensions, rated loads, and mass.

Withdrawal Sleeves

WBW

(For spherical roller bearings)



d₁ 115 ~ 150mm

d ₁	Boundary dimensions mm				Numbers ³⁾	Installation-related dimensions mm					Mass ⁴⁾ kg	Applied nut number Bearing number ⁵⁾	
	Thread nominal dimension ¹⁾ G	B ₃	G ₁	B ₄ ²⁾		Bearing	Withdrawal sleeve	d _a Min.	d _a Max.	D _a Min.			D _a Max.
115	M130×2	75	12	79	* 22224EAKD1	;AHX 3124	132	141	193	203	2.1	0.95	AN26
	M135×2	90	13	94	* 23224EMKD1	;AHX 3224	132	139	190	203	2.1	1.3	AN27
	M135×2	105	17	109	* 22324EAKD1	;AHX 2324	134	156	225	246	3	1.6	AN27
125	M140×2	67	14	71	* 23026EAKD1	;AHX 3026	139	145	183	191	2	0.93	AN28
	M135×2	83	14	93	* 24026EMK30D1	;AH 24026	139	143	178	191	2	0.84	AN27
	M140×2	78	12	82	* 23126EAKD1	;AHX 3126	141	148	189	199	2	1.08	AN28
	M140×2	94	14	104	* 24126EMK30D1	;AH 24126	141	146	183	199	2	1.11	AN28
135	M140×2	78	12	82	* 22226EAKD1	;AHX 3126	144	151	206	216	3	1.08	AN28
	M145×2	98	15	102	* 23226EMKD1	;AHX 3226	144	150	203	216	3	1.58	AN29
	M145×2	115	19	119	* 22326EAKD1	;AHX 2326	147	164	243	263	4	1.97	AN29
	M150×2	68	14	73	* 23028EAKD1	;AHX 3028	149	155	193	201	2	1.01	AN30
145	M145×2	83	14	93	* 24028EMK30D1	;AH 24028	149	153	188	201	2	0.91	AN29
	M150×2	83	14	88	* 23128EAKD1	;AHX 3128	152	159	203	213	2.1	1.28	AN30
	M150×2	99	14	109	* 24128EMK30D1	;AH 24128	152	156	198	213	2.1	1.25	AN30
	M150×2	83	14	88	* 22228EAKD1	;AHX 3128	154	163	224	236	3	1.28	AN30
	M155×3	104	15	109	* 23228EMKD1	;AHX 3228	154	162	220	236	3	1.84	AN31
	M155×3	125	20	130	* 22328EAKD1	;AHX 2328	157	181	261	283	4	2.33	AN31
150	M160×3	72	15	77	* 23030EAKD1	;AHX 3030	161	167	207	214	2.1	1.15	AN32
	M155×3	90	15	101	* 24030EMK30D1	;AH 24030	161	165	202	214	2.1	1.04	AN31
	M165×3	96	15	101	* 23130EAKD1	;AHX 3130	162	171	223	238	2.1	1.79	AN33
	M160×3	115	15	126	* 24130EMK30D1	;AH 24130	162	168	216	238	2.1	1.56	AN32
	M165×3	96	15	101	* 22230EAKD1	;AHX 3130	164	177	242	256	3	1.79	AN33
	M165×3	114	17	119	* 23230EMKD1	;AHX 3230	164	174	237	256	3	2.22	AN33
150	M165×3	135	24	140	* 22330EMKD1	;AHX 2330	167	188	279	303	4	2.82	AN33
	M170×3	77	16	82	* 23032EAKD1	;AH 3032	171	177	221	229	2.1	2.06	AN34
	M170×3	95	15	106	* 24032EMK30D1	;AH 24032	171	175	215	229	2.1	2.33	AN34
	M180×3	103	16	108	* 23132EAKD1	;AH 3132	172	185	240	258	2.1	3.21	AN36
150	M170×3	124	15	135	* 24132EMK30D1	;AH 24132	172	181	232	258	2.1	3	AN34
	M180×3	103	16	108	* 22232EAKD1	;AH 3132	174	190	260	276	3	3.21	AN36

1) Standard thread shapes and dimensions are as per JIS B 0205-1 and JIS B 0205-4 (metric trapezoidal screw thread).

2) Indicates reference dimensions before withdrawal sleeves are attached.

3) Bearing numbers marked "*" designate ULTAGE Series.

4) Indicates withdrawal sleeve mass.

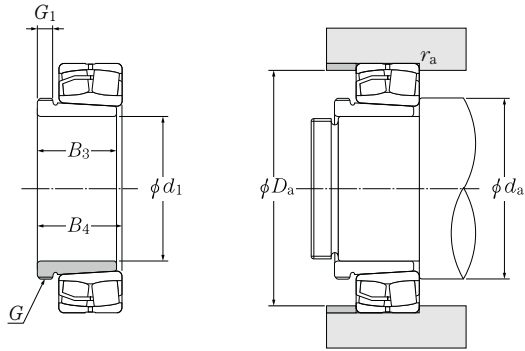
5) Indicates the number of nuts to be used at the time of disassembly. Refer to pages D-2 to D-10 for nut dimensions.

Note: Refer to pages B-222 to B-227 for bearing dimensions, rated loads, and mass.

Withdrawal Sleeves

WBW

(For spherical roller bearings)



d_1 150 ~ 190mm

d_1	Boundary dimensions mm				Numbers ³⁾ Bearing	Withdrawal sleeve	Installation-related dimensions mm					Mass ⁴⁾ kg (approx.)	Applied nut number Bearing number ⁵⁾
	Thread nominal dimension ¹⁾ G	B_3	G_1	$B_4^{2)}$			Min.	Max.	d_a	D_a	r_{as}		
150	M180×3	124	20	130	* 23232EMKD1	;AH 3232	174	187	254	276	3	4.08	AN36
	M180×3	140	24	146	* 22332EMKD1	;AH 2332	177	205	296	323	4	4.72	AN36
160	M180×3	85	17	90	* 23034EAKD1	;AH 3034	181	190	238	249	2.1	2.43	AN36
	M180×3	106	16	117	* 24034EMK30D1	;AH 24034	181	186	231	249	2.1	2.8	AN36
	M190×3	104	16	109	* 23134EAKD1	;AH 3134	182	195	250	268	2.1	3.4	AN38
	M180×3	125	16	136	* 24134EMK30D1	;AH 24134	182	193	243	268	2.1	3.21	AN36
	M190×3	104	16	109	* 22234EMKD1	;AH 3134	187	201	277	293	4	3.4	AN38
	M190×3	134	24	140	* 23234EMKD1	;AH 3234	187	199	272	293	4	4.8	AN38
170	M190×3	146	24	152	* 22334EMKD1	;AH 2334	187	223	313	343	4	5.25	AN38
	M190×3	92	17	98	* 23036EAKD1	;AH 3036	191	201	255	269	2.1	2.81	AN38
	M190×3	116	16	127	* 24036EMK30D1	;AH 24036	191	199	248	269	2.1	3.1	AN38
	M200×3	116	19	122	* 23136EAKD1	;AH 3136	194	205	267	286	3	4.22	AN40
	M190×3	134	16	145	* 24136EMK30D1	;AH 24136	194	202	254	286	3	3.68	AN38
	M200×3	105	17	110	* 22236EMKD1	;AH 2236	197	209	287	303	4	3.73	AN40
180	M200×3	140	24	146	* 23236EMKD1	;AH 3236	197	210	282	303	4	5.32	AN40
	M200×3	154	26	160	* 22336EMKD1	;AH 2336	197	229	324	363	4	5.83	AN40
	Tr205×4	96	18	102	* 23038EAKD1	;AH 3038	201	213	266	279	2.1	3.32	HNL41
	M200×3	118	18	131	* 24038EMK30D1	;AH 24038	201	209	258	279	2.1	3.5	AN40
	Tr210×4	125	20	131	* 23138EMKD1	;AH 3138	204	221	284	306	3	4.89	HN42
	M200×3	146	18	159	* 24138EMK30D1	;AH 24138	204	216	275	306	3	4.28	AN40
190	Tr210×4	112	18	117	* 22238EMKD1	;AH 2238	207	222	305	323	4	4.25	HN42
	Tr210×4	145	25	152	* 23238EMKD1	;AH 3238	207	220	299	323	4	5.9	HN42
	Tr210×4	160	26	167	* 22338EMKD1	;AH 2338	210	247	346	380	5	6.63	HN42
	Tr215×4	102	19	108	* 23040EMKD1	;AH 3040	211	223	283	299	2.1	3.8	HNL43
190	Tr210×4	127	18	140	* 24040EMK30D1	;AH 24040	211	221	275	299	2.1	3.93	HN42
	Tr220×4	134	21	140	* 23140EMKD1	;AH 3140	214	231	301	326	3	5.49	HN44
	Tr210×4	158	18	171	* 24140EMK30D1	;AH 24140	214	224	291	326	3	5.1	HN42

1) Standard thread shapes and dimensions are as per JIS B 0205-1 and JIS B 0205-4 (general metric thread), and JIS B 0206 (metric trapezoidal screw thread).

2) Indicates reference dimensions before withdrawal sleeves are attached.

3) Bearing numbers marked "*" designate ULTAGE Series.

4) Indicates withdrawal sleeve mass.

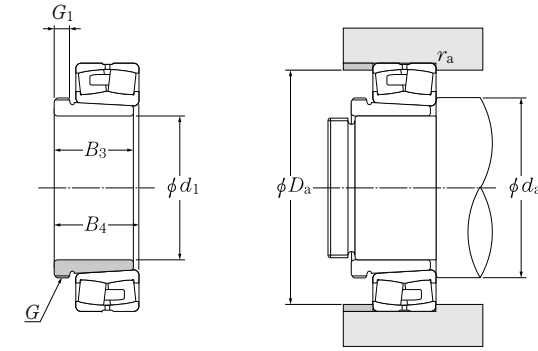
5) Indicates the number of nuts to be used at the time of disassembly. Refer to pages D-2 to D-10 for nut dimensions.

Note: Refer to pages B-226 to B-229 for bearing dimensions, rated loads, and mass.

Withdrawal Sleeves

WBW

(For spherical roller bearings)



d_1 190 ~ 260mm

d_1	Boundary dimensions mm				Numbers ^{3) 4)} Bearing	Withdrawal sleeve	Installation-related dimensions mm					Mass ⁵⁾ kg (approx.)	Applied nut number Bearing number ⁶⁾
	Thread nominal dimension ¹⁾ G	B_3	G_1	$B_4^{2)}$			Min.	Max.	d_a	D_a	r_{as}		
190	Tr220×4	118	19	123	* 22240EMKD1	;AH 2240	217	234	323	343	4	4.68	HN44
	Tr220×4	153	25	160	* 23240EMKD1	;AH 3240	217	232	315	343	4	6.68	HN44
	Tr220×4	170	30	177	* 22340EMKD1	;AH 2340	220	265	364	400	5	7.54	HN44
200	Tr235×4	111	20	117	* 23044EMKD1	;AH 3044	233	246	310	327	3	7.4	HNL47
	Tr230×4	138	20	152	* 24044EMK30D1	;AH 24044H	233	243	302	327	3	8.25	HN46
	Tr240×4	145	23	151	* 23144EMKD1	;AH 3144	237	252	328	353	4	10.4	HN48
	Tr230×4	170	20	184	* 24144EMK30D1	;AH 24144H	237	247	317	353	4	10.2	HN46
	Tr240×4	130	20	136	* 22244EMKD1	;AH 2244	237	264	358	383	4	9.1	HN48
220	Tr240×4	181	30	189	* 23244EMKD1	;AH 2344	237	261	349	383	4	13.5	HN48
	Tr240×4	181	30	189	* 22344EMKD1	;AH 2344	240	277	388	440	5	13.5	HN48
	Tr260×4	116	21	123	* 23048EMKD1	;AH 3048	253	267	329	347	3	8.75	HNL52
	Tr250×4	138	20	153	* 24048EMK30D1	;AH 24048H	253	264	322	347	3	8.98	HN50
	Tr260×4	154	25	161	* 23148EMKD1	;AH 3148	257	276	356	383	4	12	HN52
240	Tr260×4	180	20	195	* 24148EMK30D1	;AH 24148H	257	270	344	383	4	12.5	HN52
	Tr260×4	144	21	150	* 22248EMKD1	;AH 2248	257	288	383	423	4	11.1	HN52
	Tr260×4	189	30	197	* 23248EMKD1	;AH 2348	257	284	372	423	4	15.5	HN52
	Tr260×4	189	30	197	* 22348EMKD1	;AH 2348	260	299	421	480	5	15.5	HN52
	Tr280×4	128	23	135	* 23052EMKD1	;AH 3052	275	291	366	385	4	10.7	HNL56
240	Tr270×4	162	22	178	* 24052EMK30D1	;AH 24052	275	286	354	385	4	11.8	HN54
	Tr290×4	172	26	179	* 23152EMKD1	;AH 3152	277	302	380	423	4	16.2	HN58
	Tr280×4	202	22	218	* 24152EMK30D1	;AH 24152H	277	295	371	423	4	15.4	HN56
	Tr290×4	155	23	161	* 22252EMKD1	;AH 2252	280	312	415	460	5	14	HN58
	Tr290×4	205	30	213	* 23252EMKD1	;AH 2352	280	310	405	460	5	19.6	HN58
	Tr290×4	205	30	213	* 22352EMKD1	;AH 2352	286	324	458	514	6	19.6	HN58
	Tr300×4	131	24	139	* 23056EMKD1	;AH 3056	295	310	386	405	4	12	HNL60
260	Tr290×4	162	22	179	* 24056EMK30D1	;AH 24056H	295	306	376	405	4	12.8	HN58
	Tr310×5	175	28	183	* 23156EMKD1	;AH 3156	300	322	403	440	5	17.5	HN62

1) Standard thread shapes and dimensions are as per JIS B 0206 (metric trapezoidal screw thread).

2) Indicates reference dimensions before withdrawal sleeves are attached.

3) Bearing numbers marked "*" designate ULTAGE Series.

4) Withdrawal sleeve numbers appended with the suffix "H" signify the high pressure oil (hydraulic) design.

5) Indicates withdrawal sleeve mass.

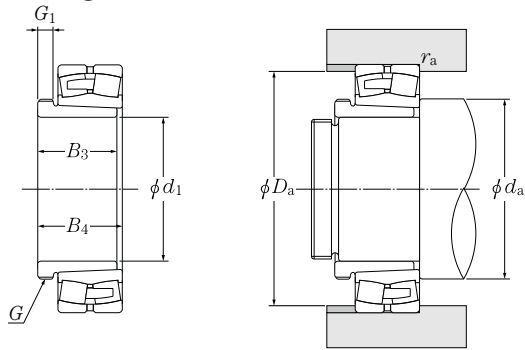
6) Indicates the number of nuts to be used at the time of disassembly. Refer to pages D-2 to D-10 for nut dimensions.

Note: Refer to pages B-228 to B-231 for bearing dimensions, rated loads, and mass.

Withdrawal Sleeves

WBW

(For spherical roller bearings)



d₁ 260 ~ 360mm

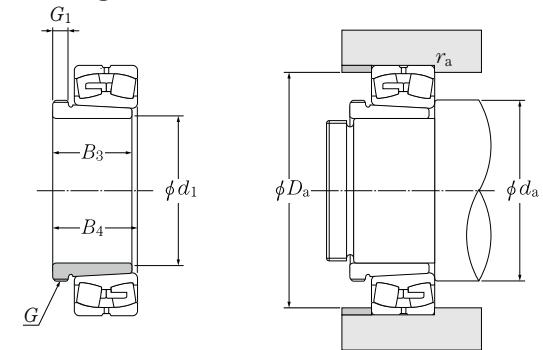
d ₁	Boundary dimensions mm				Numbers ^{3) 4)}	Installation-related dimensions mm					Mass ⁵⁾ kg	Applied nut number Bearing number ⁶⁾
	Thread nominal dimension ¹⁾ G	B ₃	G ₁	B ₄ ²⁾		Bearing	Withdrawal sleeve	d _a Min.	d _a Max.	r _{as} Min.		
260	Tr300x4	202	22	219	* 24156EMKD1 ;AH 24156H	300	316	394	440	5	16.3	HN60
	Tr310x5	155	24	163	* 22256EMKD1 ;AH 2256	300	333	437	480	5	15.2	HN62
	Tr310x5	212	30	220	* 23256EMKD1 ;AH 2356	300	331	426	480	5	21.6	HN62
	Tr310x5	212	30	220	* 22356EMKD1 ;AH 2356	306	349	489	554	6	21.6	HN62
280	Tr320x5	145	26	153	* 23060EMKD1 ;AH 3060	315	338	413	445	4	14.4	HNL64
	Tr310x5	184	24	202	* 24060EMK30D1 ;AH 24060H	315	332	401	445	4	15.5	HN62
	Tr330x5	192	30	200	* 23160EMKD1 ;AH 3160	320	345	436	480	5	20.8	HN66
	Tr320x5	224	24	242	* 24160EMK30D1 ;AH 24160H	320	340	425	480	5	19.5	HN64
	Tr330x5	170	26	178	* 22260EMKD1 ;AH 2260	320	358	469	520	5	18.1	HN66
Tr330x5	228	34	236	* 23260EMKD1 ;AH 3260	320	352	461	520	5	26	HN66	
300	Tr345x5	149	27	157	* 23064EMKD1 ;AH 3064	335	360	433	465	4	16	HNL69
	Tr340x5	184	24	202	* 24064EMK30D1 ;AH 24064H	335	352	423	465	4	16.6	HN68
	Tr350x5	209	31	217	* 23164EMKD1 ;AH 3164	340	373	468	520	5	24.5	HN70
	Tr340x5	242	24	260	* 24164EMK30D1 ;AH 24164H	340	363	457	520	5	21.4	HN68
	Tr350x5	180	27	190	* 22264EMKD1 ;AH 2264	340	383	510	560	5	20.2	HN70
	Tr350x5	246	36	254	* 23264EMKD1 ;AH 3264	340	376	493	560	5	30.6	HN70
320	Tr365x5	162	28	171	* 23068EMKD1 ;AH 3068	358	384	466	502	5	19.5	HNL73
	Tr360x5	206	26	225	* 24068EMK30D1 ;AH 24068H	358	377	456	502	5	21.7	HNL72
	Tr370x5	225	33	234	* 23168EMKD1 ;AH 3168	360	393	500	560	5	29	HN74
	Tr360x5	269	26	288	* 24168EMK30D1 ;AH 24168H	360	385	486	560	5	27.1	HNL72
340	Tr385x5	167	30	176	* 23072EMKD1 ;AH 3072	378	405	488	522	5	21	HNL77
	Tr380x5	206	26	226	* 24072EMK30D1 ;AH 24072H	378	398	478	522	5	22.7	HNL76
	Tr400x5	229	35	238	23172BK ;AH 3172	382	417	520	578	5	33	HN80
	Tr380x5	269	26	289	24172BK30 ;AH 24172H	382	414	507	578	5	29.6	HNL76
360	Tr410x5	170	31	180	* 23076EMKD1 ;AH 3076	398	425	509	542	5	23.2	HNL82
	Tr400x5	208	28	228	* 24076EMK30D1 ;AH 24076H	398	420	499	542	5	23.7	HNL80
	Tr420x5	232	36	242	23176BK ;AH 3176	402	436	540	598	5	35.7	HN84
	Tr400x5	271	28	291	24176BK30 ;AH 24176H	402	431	529	598	5	31.3	HNL80

- 1) Standard thread shapes and dimensions are as per JIS B 0216 (metric trapezoidal screw thread).
 - 2) Indicates reference dimensions before withdrawal sleeves are attached.
 - 3) Bearing numbers marked "*" designate ULTAGE Series.
 - 4) Withdrawal sleeve numbers appended with the suffix "H" signify the high pressure oil (hydraulic) design.
 - 5) Indicates withdrawal sleeve mass.
 - 6) Indicates the number of nuts to be used at the time of disassembly. Refer to pages D-2 to D-10 for nut dimensions.
- Note: Refer to pages B-230 to B-233 for bearing dimensions, rated loads, and mass.

Withdrawal Sleeves

WBW

(For spherical roller bearings)



d₁ 380 ~ 460mm

d ₁	Boundary dimensions mm				Numbers ³⁾	Installation-related dimensions mm					Mass ⁴⁾ kg	Applied nut number Bearing number ⁵⁾
	Thread nominal dimension ¹⁾ G	B ₃	G ₁	B ₄ ²⁾		Bearing	Withdrawal sleeve	d _a Min.	d _a Max.	r _{as} Min.		
380	Tr430x5	183	33	193	23080BK ;AH 3080	422	451	542	578	5	27.3	HNL86
	Tr420x5	228	28	248	24080BK30 ;AH 24080H	422	446	528	578	5	27.1	HNL84
	Tr440x5	240	38	250	23180BK ;AH 3180	428	458	568	622	6	39.5	HN88
	Tr420x5	278	28	298	24180BK30 ;AH 24180H	428	452	552	622	6	34.4	HNL84
400	Tr450x5	186	34	196	23084BK ;AH 3084	442	471	562	598	5	29	HNL90
	Tr440x5	230	30	252	24084BK30 ;AH 24084H	442	465	551	598	5	29	HNL88
	Tr460x5	266	40	276	23184BK ;AH 3184	448	488	611	672	6	46.5	HN92
	Tr440x5	310	30	332	24184BK30 ;AH 24184H	448	477	592	672	6	40.3	HNL88
420	Tr470x5	194	35	205	23088BK ;AHX 3088	468	490	585	622	6	32	HNL94
	Tr460x5	242	30	264	24088BK30 ;AH 24088H	468	485	576	622	6	31.9	HNL92
	Tr480x5	270	42	281	23188BK ;AHX 3188	468	504	627	692	6	49.8	HN96
	Tr460x5	310	30	332	24188BK30 ;AH 24188H	468	498	614	692	6	42.3	HN92
440	Tr490x5	202	37	213	23092BK ;AHX 3092	488	512	613	652	6	35.2	HNL98
	Tr510x6	285	43	296	23192BK ;AHX 3192	496	534	660	724	7.5	57.9	HN102
	Tr480x5	332	32	355	24192BK30 ;AH 24192H	496	523	645	724	7.5	47.4	HNL96
460	Tr520x6	205	38	217	23096BK ;AHX 3096	508	532	633	672	6	39.2	HNL104
	Tr530x6	295	45	307	23196BK ;AHX 3196	516	554	687	754	7.5	63.1	HN106

- 1) Standard thread shapes and dimensions are as per JIS B 0216 (metric trapezoidal screw thread).
 - 2) Indicates reference dimensions before withdrawal sleeves are attached.
 - 3) Withdrawal sleeve numbers appended with the suffix "H" signify the high pressure oil (hydraulic) design.
 - 4) Indicates withdrawal sleeve mass.
 - 5) Indicates the number of nuts to be used at the time of disassembly. Refer to pages D-2 to D-10 for nut dimensions.
- Note: Refer to pages B-232 to B-235 for bearing dimensions, rated loads, and mass.