



WATER PUMP BEARINGS

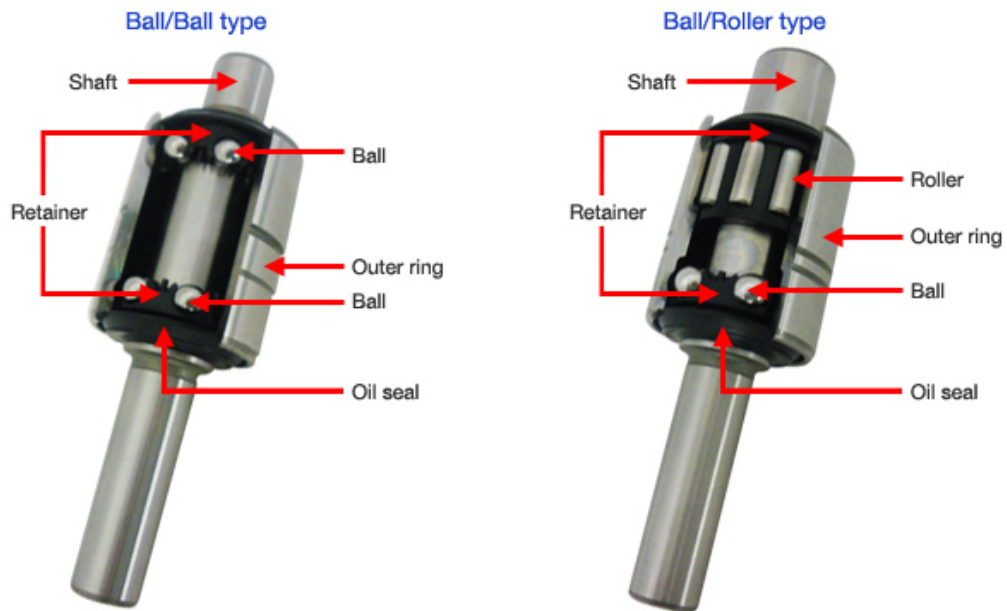
Ningbo Amol Machinery Co., Ltd.
Jiangsu Amol Bearing Co., Ltd.
Ningbo Amol Intl. Trade Co., Ltd.

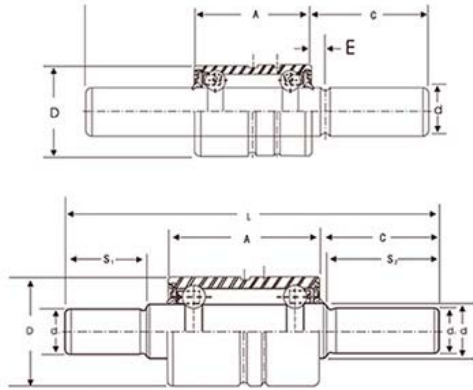
WBW BEARING

Water Pump Bearings

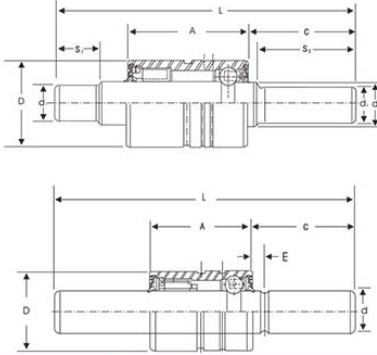


Basic Structures of Water Pump Bearings:

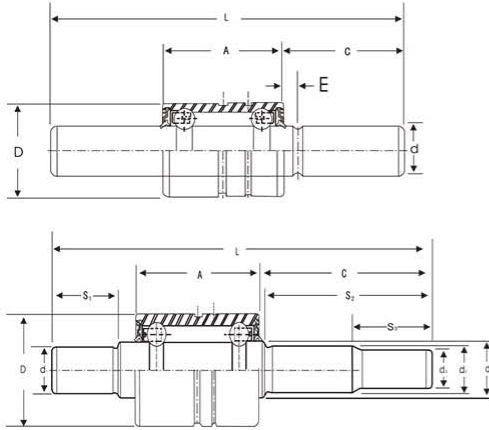




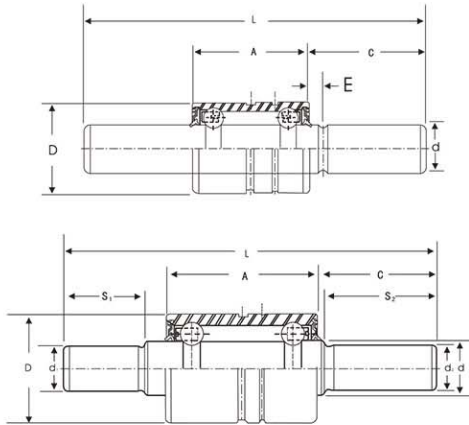
(Bearing No.)	外形尺寸Dimensions(mm)										客户型号 Customer No	FAG	
	L	A	C	D	d	d1	d2	S1	S2	E			
B122484/YD4	84	27	37	24	12.04								
B122484B OS	84	27	37	24	12.04							884101	
B122485	85	27	41	24	12								
B1226106/YD4	106	39	50	26	12.04								
B122692	92	39	34	26	12							W2B092	
B122692B	92	39	39	26	12							W26-92-1	
B1226145	145	39	72	26	12							WPB145(CBR600)	
B1226104	103.5	39	43	26	12							W2B103RR6	
B122695	94.5	39	34	26	12.037					4.7		WS2372	
B122695B	94.5	39	34	26	12							26-14	
B122680	80	27	36.5	26	12								
B1226108	107.5	39	47	26	12								
B122690	90	39	37	26	12							K 199	
B1226102	102	40	35	26	12							K031	
B122688	88	39	35	26	12							W26-88	
B1226103	102.5	39	42	26	12							W12103/S16104R-3	
B1226111	111.2	39	47	26	12							WPB12104RS	
B1226114	113.5	39	57	26	12							W26-114	
B1226116	116	33	53	26	12								
B153088	88	35.9	38	30	15							WB01001	
B153088B	87.5	36	38	30	15.008								
B163084	84.3	27.5	41.5	30	15.918							885009	
B1630106B	106	38.9	46.4	30	15.918						4.7	885097	
B1630121	120.65	38.9	52.4	30	15.918						6.35	885105	W2476-2
B1630134	134	38.9	52.5	30	15.918						14.4	885113B	
B1630162	161.9	38.9	64.69	30	15.918						5.59	885117	W2637
B1630119.05	119.05	38.9	42.85	30	15.918						4.8	885118	W2468-1
B1630119OS	119.05	38.9	42.85	30	15.969						4.8	885118OS	
B1630154B	154.2	38.9	86	30	15.918						6.5	885125C	
B1630154BOS	154.2	38.9	86	30	15.969						6.5	885125C OS	
B1630112D	111.5	27.5	41.5	30	15.918							885133	
B163092C	91.5	27.5	41.5	30	15.918							885134	
B1630103.17	103.17	38.9	40.87	30	15.918						4.8	885140	W2406-1
B1630103.17OS	103.17	38.9	40.87	30	15.969						4.8	885140OS	
B1630128	127.8	38.9	63.1	30	15.918						6.3	885141	W2503
B1630143	142.9	38.9	63.9	30	15.918							885144	W2562
B1630162OS	161.9	38.9	64.69	30	15.969						5.59	885117OS	



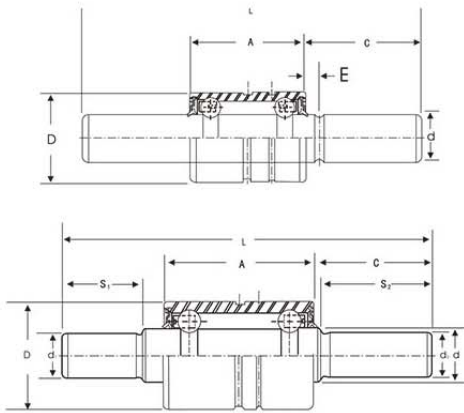
(Bearing No.)	外形尺寸Dimensions(mm)										客户型号 Customer No	FAG	
	L	A	C	D	d	d1	d2	S1	S2	E			
BR122485	84.5	27	37	24	12.037							664101	WNS2332
BR122688	87.6	30	40	26	12							W2R088	
BR1530110	110	52	40	30	15								
BR153090	89.92	38.9	33.02	30	15		12.037		28.2			WNS2345-2	
BR153095	94.5	38.9	39.9	30	15.008							665307	
BR153085	85	27	41	30	15		12		39			COR 11	
BR153088A	87.5	36	35	30	15							W5R088	
BR1630101	101	38.9	36.8	30	15.918					5.8		R287	
BR1630123	123	38.9	64.8	30	15.918					5.2		R266	
BR1630105B	104.5	38.9	44.7	30	15.939		12.037		42.6			R176	
BR163092	92	38.9	37.5	30	16					4.5		R108	
BR1630115	115	38.9	50	30	16					7		R109	
BR1630119A	119.1	38.9	42.9	30	15.918					6.4		665118	
BR1630105	105.4	38.9	46.2	30	15.918					4.8		665329	WN2415-1
BR1630105 OS	105.4	38.9	46.2	30	15.969					4.8		665329 OS	
BR163080	80	27	37.3	30	15.918							665341	
BR163080 OS	80	27	37.3	30	15.969							665341 OS	
BR163085 OS	84.6	27	40.2	30	15.969					2.8		665342 OS	
BR1630139	139	38.9	77	30	15.918					4.8		665388	
BR1630154	154.2	38.9	85.6	30	15.939					6.4		665613	WN3607
BR1630154 OS	154.2	38.9	85.6	30	15.989					6.4		665613 OS	
BR1630129	129	38.9	58.3	30	15.918					4.8		665169	
BR1630112B	112	38.9	43.1	30	15.918		12		40.5			665327	
BR163084BR	84.3	27	40.9	30	15.918		12.037		38.4				
BR1630147A	147.2	38.9	82.1	30	15.918								
BR1630147C	147	52	26	30	15.918		15		23				
BR1630148	148	38.9	81	30	15.918					4			
BR1630112	112	38.9	43.1	30	15.918		12.037		40				
BR1630115C	115	38.9	50	30	16		12		48.5				
BR1630115B	115	38.9	50	30	16								
BR1630116	116	52	46	30	16					3			
BR1630108D-1	108	38.9	51.1	30	15.918		12.038		48				
BR1630108D	108	38.9	51.6	30	15.918		12.037		47.8				
BR1630104B	104	34	51	30	15.918								
BR1630104 OS	104.2	30	47.5	30	15.969								
BR163092B	92	38.9	37.5	30	16								
BR163092D	92	38.9	37.5	30	16					3			
BR163092C	92	38.9	37.5	30	16		12		36				
BR163091	91	38.9	38.6	30	15.918		12		36.2			RGR091PC	
BR1630130A	130.4	52	46	30	15.918	15	12	31.4	42				



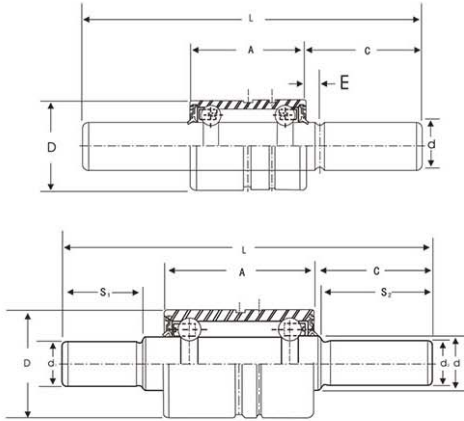
(Bearing No.)	外形尺寸Dimensions(mm)												客户型号 Customer No
	L	A	C	D	d	d1	d2	S1	S2	E	d3	S3	
BB2555127	127	60	42	55	25.061		15.045		40.9				K122
BB2555127I	127	60	42	55	25		15.918		39.5				M53200101
BB2555127H	127	60	42	55	25.061		15.061		39.5				M10400101
BB3055130	130	47.2	50.8	55	30		15		47.8				WS2511
BB3356173B	173	70	67	33	25.025		20		65				
BB254073	73	19.4	37.6	40	25.35	18.961	15.918	13.5	32.36		13	15	2L9P5203R
BB254078	77.5	19.4	41.6	40	25.35	16	12	14	34.37				3L9P5203U
BB2547156A	156	58	61	47	25.4	20	16	28	59.5		16	30.5	
BB163075	74.5	38.9	32.3	30	15.918								885152
BB1630128	127.8	38.9	57.9	30	15.939					6.1			885166K
BB1630101B	100.9	38.9	31	30	15.939								885166K-1
BB254054	54	42	10.5	40	24.5		18		73				
BB1630103D	103	38.9	41	30	16								885180
BB163087ATRF	86.4	38.9	45.5	30	15.918								
BB163087B	87	38.9	46	30	15.918								JPW2001
BB193864	63.4	54	4.7	38.1	18.961								885856
BB1630130	130	38.9	48.5	30	15.918		15		43.8				885877
BB1630137F	137	38.9	58.1	30	16								K301
BB1938117	117	41.3	51.23	38.1	18.961		15.918		42.08				S2460.TJ2751
BB1938132	131.6	54	53.1	38.1	18.961		15.918		49.1				
BB2547143B	143	58	56.7	47	25.4	20	20	26.6	54.5				P2047
BB193873	73	47	26	38.1	18.961		15.918		25.2				WR1078
BB163073	73	38.9	30.6	30	15.918								18073305
BB1630107	107	38.9	67	30	16								3384
BB2540114B	114	40	55	40	24.5		12.04		53				
BB1224119	119	68	30.5	24	12.2				53				
BB1224101	101	33	35	24	12								
BB3356174	173.5	70	68	56	33	25.025	20	34.5	61				
BB163069B	69.5	38.9	30.6	30	15.918								F110053
BB1938157TK	156.6	54	63	38.1	18.961		15.918		59.8				
BB164075	74.5	38.9	32.1	40	15.918								
BB2540136	135.8	60	57.3	40	24.5		15		53.8				
BB3356216	215.75	70	82.25	56	33	25	24.8	62.5	81.25		18.5	37.25	
BB2540114T	114	40	55	40	25.4		12		53				WB2875
BB2547156B	156	58	61	47	25.4	20	20	28	59.5		10	30.5	



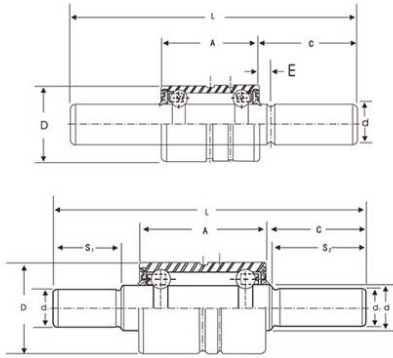
(Bearing No.)	外形尺寸Dimensions(mm)										客户型号 Customer No
	L	A	C	D	d	d1	d2	S1	S2	E	
BB1940111D	111	46	40.5	40	19		12		38		W40-111
BB1940120	120	46	47	40	19.012		12		43		W9B111L
BB1940115	115	46	41	40	19		12		39		
BB1940128	128.3	46	59.3	40	18.961	15.918	12	20.5	56		WIB2040128
BB1940119C	119	46	46	40	18.961		13		41.3		WIB2040119
BB1940129A	129.2	46	51.6	40	19		12		45		WB1940129
BB1940124/YD4	124	46	48	40	19.012		12.04		46		WB19404612
BB1940129A-1	129.2	46	48.3	40	19		12		45		
BB2036112	112	30	62	36	20		15		60		WIB2036112
BB204091	91	50	38	40	20						WBP2040091
BB2040118	117.5	42	51.5	40	20.002		15		47.8		3044
BB2040130	130	50	60	40	20		16		58		
BB2040143	143	50	61.5	40	20.006		16.006		54.5		WS40-143
BB2040124	124	42	52	40	20		15		48		
BB2242134	134	46	60.5	42	22		15.918		46.9		W42A134
BB2242116B	116	46	43	42	22	19	12	26	39		W3043
BB2242126B	126	46	47	42	22	17	12	12	43		W3041
BB2242136A	136	56	61	42	22		12		60		
BB2242118	117.5	46	45	42	22		12		43		BWF42A-118
BB2242116C	115.5	46	39.5	42	22	15.918	12	27.5	36		BWF42A-116A
BB2242138	138	56	53	42	22	15.918	15.918	26	50		TATA407
BB2242117	117	46	47	42	22		12		44		ZN2.919
BB2242142	142	46	54.5	42	22		16		49		119-00021
BB2242133	133	65	34	42	22						
BB2242119B	119	46	43	42	22	18	13	29	41		
BB2242119A	119	46	43	42	22	19	12	28	40		
BB2242119C	119	46	43	42	22		12		41		
BB2242119	119.3	46	43	42	22	15.918	12	29	39		
BB2242126	126	48	51.4	42	22	15.918	12	26.5	47.8		
BB2242126C	126	48	45	42	22		12		42		3045
BB2547143	143	58	56	47.01	25.4	20.01	20.01	27	54		
BB2547130	129.6	54	42.8	47	24		17		39.6		
BB2548129	129	54	51.6	47.625	25.4		15.918		46.4		M41900101
BB2548181	180.8	69.85	62.1	47.625	25.4		15.918		58.9		885910
BB2552150	150	56	62	52	25		16		60		



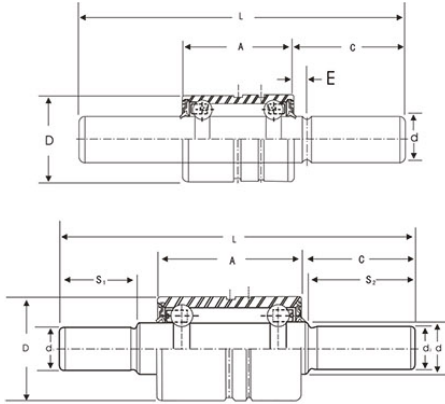
(Bearing No.)	外形尺寸Dimensions(mm)										客户型号 Customer No	FAG	
	L	A	C	D	d	d1	d2	S1	S2	E			
BB1735122	122	45	47	35	17								
BB173691	90.5	39	37	36	17		15		35			Prince	
BB1736093	93.2	38.9	38	36	17		12		35			WB1736094	
BB1738130	130	54	43	38.1	18.961	17	15.918	32	40			M38300101	
BB183586	85.5	29.9	40.1	35	17.5		12		37.3			W7B086RR6	
BB1835143	143	46	53.5	35	18	15.918	12	8.5	50.5			M-50800101	
BB183588	88	29.9	42.5	35	17.5		12		39.3			K555	
BB1835119	118.75	46	46.5	35	18		13		42			BWF35-3BR	
BB1835114	113.5	38.9	49.5	35	17.5	15.918	12	23.6	46.9			W7B114	
BB1835119B	119	46	43	35	18	15.918	12	27	40.1			35-119	
BB1835101	101.2	38.9	37.3	35	18	15.918	12	23.4	34.6			W35-101	
BB1835112	112	38.9	43	35	18	15.918	12	27	40			W35-112	
BB1835101B	100.5	46	36.5	35	18	15.918	12	16.3	34			W35-101-1	
BB1835120	120	46	48	35	18		13		42.4			KYOTO	
BB1835107 OS	107	30	52	35	17.5	15.969	12.04	24	50			W7B107B OS	
BB183586A OS	85.5	30	40	35	17.55		12.04		37.75			W7B086RR6 OS	
BB183586B	85.5	30	40	35	17.5	15.918	12	14.5	37.75			W7B086B	
BB1835150	150	46	54	35	18							WB1835150	
3B1835123	123	46	48.4	35	18		12		46			WB1835123	
BB1938149B	148.8	54	53.8	38.1	18.961	15.918	15.918	36	49.7			885790	
BB1938149C	149	54	41.7	38.1	18.961		15.918		38			885801	WK2587
BB1938153B OS	153.4	54	53.7	38.1	19.012		15.969		50.5			885807C OS	
BB1938158B OS	158	54	57.3	38.1	19.012	15.918	15.969	14.8	52.8			885812OS	
BB1938175OS	174.8	54	68.2	38.1	19.012	15.918	15.969	14.1	63.8			885813OS	
BB1938143	143.3	54	53.7	38.1	18.961		15.918		49.3			885815A	WK2564
BB1938126	125.7	54	40.9	38.1	18.961	15.918	15.918	25.9	37.3			885832	WK2495
BB1938122OS	122	42	48	38.1	19.012		12.038		46.6			885842OS	
BB1938152	152.4	54	62.8	38.1	18.961	15.918	15.918	15.3	58.4			885844	WK2600
BB1938155OS	155.3	54	63.3	38.1	19.012		12.04		61			885845E OS	
BB1938175BOS	174.75	54	68.25	38.1	19.012		12.04		65.74			885846OS	
BB1938143	142.35	54	49.1	38.1	18.961	15.918	15.918	30.9	45.6			885851	WK2560
BB1938143A OS	142.35	54	49.1	38.1	19.012	15.969	15.969	30.9	45.6			885851 OS	
BB1938115 OS	115.3	54	37.9	38.1	19.012		12.088		35.7			885853OS	
BB1938162 OS	161.9	54	72.4	38.1	19.012	15.918	15.969	15.3	70.1			885858 OS	
BB1938144	143.5	54	58.7	38.1	18.961	15.918	15.918	12.2	50.5			885862B	WK2564-6
BB1938144OS	143.5	54	58.7	38.1	19.012	15.918	15.969	12.2	50.5			885862B OS	
BB1938153OS	152.9	54	52.6	38.1	19.012	15.918	15.969	28.6	43.3			885865A OS	WK6602-2B



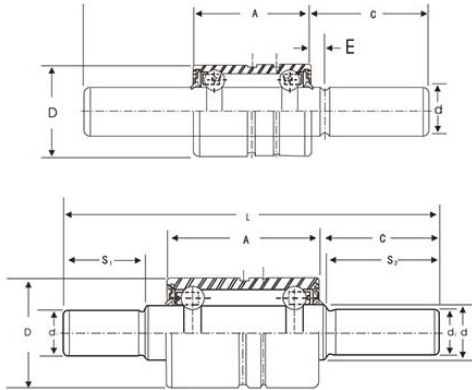
Bearing No.)	外形尺寸Dimensions(mm)										客户型号 Customer No
	L	A	C	D	d	d1	d2	S1	S2	E	
BB1630103	103	38.9	47.6	30	15.918		12		43		
BB1630103G	103	38.9	47.5	30	15.918		12		43		
BB1630088	87.5	36	38	30	15.918		12		36		
BB1630095	94.35	38.9	37.95	30	15.918						
BB163088E	87.5	36	38	30	16		12		36		
BB163088D	88	36	38.5	30	15.918		12		36		
BB163084M	84.3	27	40.9	30	15.918		12.037		38.4		
BB163083	83	23	41.4	30	15.918		12		38.9		
BB163080	80	23	41.4	30	15.918		12		38.9		
BB163093F	93	38.9	35.6	30	15.918		12		32.4		
BB163088	88	27	43	30	15.918						F-1885319
BB163085G	85	28	40	30	15.969		12.02		38		
BB1630119F	119.1	38.9	42.9	30	16						
BB1630106AI	106.4	38.9	45.4	30	15.918		12.037		43.2		
BB1630106AZ	106	38.9	44.1	30	15.918					5.1	
BB1630104C OS	104.2	30	47.5	30	15.969						
BB1630119E	119.05	38.9	42.85	30	15.918					4.8	
BB163098J	98	38.9	42.1	30	15.918						
BB1635119	119.3	46	43.3	35	15.8		12		40.3		
BB1635112B	112	39	43	35	15.8		12		41		
BB163585.6	85.6	31	39	35	15.918		12.042		37.6		SWP-7121-A
BB1635119	119	46	43	35	16		12		38.9		K228
BB163579	79	46	31	35	16						W35-79
BB172875	74.7	20	41.5	28	17.2		12		39.5		9214
BB172875B	74.6	20	41.5	28	17.2		12		39.5		W28-75
BB172878	78.7	20	41.5	28	17.2		12		39.5		W28-78
BB173078	77.8	23	39.3	30	17.2		12		33		W7B078CRR6
BB173078B	77.8	23	39.2	30	17.2		12		36.9		W30-78
BB173078E	77.85	23	38.9	30	17.2		12.037		36.3		
BB173093	92.8	23	54.3	30	17.2		12		51.3		W7B093CRR6
BB173075	75	23	38.1	30	17.2		12		36.5		PLC K235
BB173080	80	23	11.2	30	17.2		12		39		TICD
BB173079-OS	79	23	40	30	17.26		12.06		38.5		173012-OS
BB173078F OS	77.8	23	39.3	30	17.25		12.04		37.05		W7B078CRR6OS
BB173083	83	23	41.2	30	17.2		12		39		WIB1730083
BB173075B	75	23	38.5	30	17.208		12		36.5		WB1730075
BB1734120	120	47	44.5	34	17		12		39		



(Bearing No.)	外形尺寸Dimensions(mm)										客户型号 Customer No
	L	A	C	D	d	d1	d2	S1	S2	E	
BB1630104D	103.4	38.9	48	30	15.918		12		43		16104-22L
BB1630102B	102.4	38.9	38.1	30	15.918						16W30A102
BB1630129B	129	38.9	58.3	30	15.918						00700865112
BB163065	65	22	29	30	15.918		10		27		WIB163010
BB1630106K	106	38.9	45.5	30	15.918						WIB1630106AN
BB1630116E	115.54	38.9	56.08	30	15.918						WIB1630116
BB1630116C	116	38.9	47.05	30	15.918		12		43		WB1630116
BB1630122C	122.2	38.9	54.86	30	15.918						W2481-1
BB1630123B	123.4	57.1	40.64	30	15.918						FPS100
BB1630136B	136.4	38.9	58.4	30	15.918					9.1	FPS348
BB1630142	142	57.1	52.6	30	15.918						FPS582
BB1630103.17	103.17	38.9	40.87	30	15.918					4.8	FPS384
BB163092B	91.8	38.9	32.6	30	15.918		12.7		30		1FPS337
BB1630128	127.8	38.9	63.1	30	15.918					6.3	FPS18
BB1630142C	142	57.1	52.6	30	15.918						FPS582B
BB1630106E	106	38.9	40.9	30	15.918						FPS104
BB1630103E	102.6	38.9	41.3	30	15.918		12.675		39		FPS10
BB1630106H	106.42	38.9	42.27	30	15.918		12.738		39		FPS730
BB1630103F	103	38.9	40.94	30	15.918						FPS15
BB1630166	165.8	38.9	63.5	30	15.918						FPS061
BB163095B	94.35	38.9	37.95	30	15.918						PAS0866
BB1630128	127.8	38.9	63.1	30	15.918					6.3	M39100101
BB1630142B	142	57.1	52.6	30	15.918						M80900101
BB1630112E	112	38.9	43	30	15.918		12		41		M60400101
BB1630106I	106	38.9	42	30	15.918		12		40		M19700101
BB1630106L	106	38.9	50.2	30	15.918	12	12	13.1	46		AT106
BB1630113B	113	38.9	42.3	30	15.918						M60100101
BB163098H	98	38.9	41	30	15.918		12		38		M27100101
BB1630111	111	38.9	49	30	15.918						M35400101
BB1630104F	104	38.9	42	30	15.918						M61900101
BB1630136	136.4	38.9	58.4	30	15.918					9.1	M82000101
BB1630139	139	39	77	30	15.918					3.5	M53500101
BB163046	46	27	17	30	15.918						
BB1630134C	134	38.9	46.1	30	15.918					5.1	
BB1630134B	134	57.1	50	30	15.918		12		48		
BB1630107C	107	38.9	51	30	15.918	12	12	15	49		
BB1630103J	102.6	38.9	41.3	30	15.918		12		38.5		
BB163069	69.35	38.9	30.45	30	15.918						AA35741
BB1630124/YD4	124	38.9	43	30	16.04		12.04		40.3		WB16303912
BB1630136D	136.4	38.9	58.4	30	15.918					9.1	FPS348/1



(Bearing No.)	外形尺寸Dimensions(mm)										客户型号 Customer No	FAG	
	L	A	C	D	d	d1	d2	S1	S2	E			
BB1630102	102.616	38.9	41.266	30	15.918		12.675		38.1			885147	
BB163073B	73.3	38.9	30.7	30	15.918							BR885152	
BB1630113B	113	38.9	42.3	30	15.918							885155	
BB1630138B	138	38.9	40.9	30	15.918						6.4	885158	
BB1630138	138	38.9	58.1	30	15.918		12		53			885158-N	
BB1630136	136.4	38.9	58.4	30	15.918					9.1		885158P	W2537
BB1630105	105.2	38.9	42.5	30	15.918					6.4		885159	
BB1630143 OS	142.9	38.9	63.9	30	15.969							885144OS	
BB1630112	111.5	38.9	48.8	30	15.918					6.3		885167	W2439
BB1630112 OS	111.5	38.9	48.8	30	15.969					6.3		885167OS	W6439
BB1630129	129	38.9	58.3	30	15.918					4.8		885169	W2507
BB1630103D	103	38.9	41	30	16							885180	
BB163098E	98	38.9	41.5	30	15.918							885190	
BB163088	88	27	43	30	15.918							885319	
BB1630102 OS	101.5	38.9	45.11	30	15.989							885321OS	
BB1630101.5	101.5	38.9	45.11	30	15.939							885321	W3399
BB163093C	92.6	38.9	50	30	16							885154B	
BB1630112B OS	112	38.9	43.1	30	15.969		12.05		40.5			885327 OS	
BB1630112B	112	38.9	43.1	30	15.918		12		40.5			885327	
BB1630101 OS	101	38.9	38.1	30	15.969	14.051	12.05	21.8	35.1			885328 OS	
BB1630110 OS	110.4	38.9	50.1	30	15.969					9.1		885332 OS	W6434
BB1630123C OS	123.1	38.9	65.1	30	15.969							885380 OS	
BB163099 OS	98.4	38.9	37.1	30	15.969		12.057		33.9			885474 OS	W6387S
BB1630122 OS	122.17	38.9	49.4	30	15.969					4.8		885476 OS	W6481
BB1630122.17	122.17	38.9	49.4	30	15.918					4.8		885476	W2481
BB163085B OS	84.5	27	40.25	30	15.969							885342 OS	W2332-1
BB163099	98.4	38.9	37.1	30	15.918		12.006		33.9			885474	W2387S
BB1630116	116	38.9	50	30	15.918							885495	
BB1630132 OS	132.1	38.9	53.1	30	15.989					4.8		885521 OS	W7520-2
BB1630132	132.1	38.9	53.1	30	15.939					4.8		885521	W3520-2
BB1630110C	110	38.9	42.1	30	15.918							885524S	W2433-2
BB1630159	159.3	38.9	76.3	30	15.918							885586	
BB1630154 OS	154	38.9	85.6	30	15.989						6.4	885613 OS	W7607-1
BB1630154	154	38.9	85.6	30	15.939						6.4	885613	W3607-1
BB1630120	119.4	38.9	40.5	30	15.918							885637	
BB163089 OS	89.4	27	41.4	30	15.969		12.04		38			WS6351	
BB163085E	85	27	41	30	15.918	15	12	14.2	35			WS2334-6	
BB1630113A	113.5	38.9	47.2	30	15.918					7.8		885156	



(Bearing No.)	外形尺寸Dimensions(mm)										客户型号 Customer No	FAG		
	L	A	C	D	d	d1	d2	S1	S2	E				
BB122484/YD4	84	27	37	24	12.04									
BB122484B OS	84	27	37	24	12.04								884101	
BB122485	85	27	41	24	12									
BB1226106/YD4	106	39	50	26	12.04									
BB122692	92	39	34	26	12								W2B092	
BB122692B	92	39	39	26	12								W26-92-1	
BB1226145	145	39	72	26	12								WPB145(CBR600)	
BB1226104	103.5	39	43	26	12								W2B103RR6	
BB122695	94.5	39	34	26	12.037					4.7			WS2372	
BB122695B	94.5	39	34	26	12								26-14	
BB122680	80	27	36.5	26	12									
BB1226108	107.5	39	47	26	12									
BB122690	90	39	37	26	12								K199	
BB1226102	102	40	35	26	12								K031	
BB122688	88	39	35	26	12								W26-88	
BB1226103	102.5	39	42	26	12								W12103/S16104R-3	
BB1226111	111.2	39	47	26	12								WPB12104RS	
BB1226114	113.5	39	57	26	12								W26-114	
BB1226116	116	33	53	26	12									
BB153088	88	35.9	38	30	15								WB01001	
BB153088B	87.5	36	38	30	15.008									
BB163084	84.3	27.5	41.5	30	15.918								885009	
BB1630106B	106	38.9	46.4	30	15.918					4.7			885097	
BB1630121	120.65	38.9	52.4	30	15.918					6.35			885105	W2476-2
BB1630134	134	38.9	52.5	30	15.918					14.4			885113B	
BB1630162	161.9	38.9	64.69	30	15.918					5.59			885117	W2637
BB1630119.05	119.05	38.9	42.85	30	15.918					4.8			885118	W2468-1
BB1630119OS	119.05	38.9	42.85	30	15.969					4.8			885118OS	
BB1630154B	154.2	38.9	86	30	15.918					6.5			885125C	
BB1630154BOS	154.2	38.9	86	30	15.969					6.5			885125C OS	
BB1630112D	111.5	27.5	41.5	30	15.918								885133	
BB163092C	91.5	27.5	41.5	30	15.918								885134	
BB1630103.17	103.17	38.9	40.87	30	15.918					4.8			885140	W2406-1
BB1630103.17OS	103.17	38.9	40.87	30	15.969					4.8			885140OS	
BB1630128	127.8	38.9	63.1	30	15.918					6.3			885141	W2503
BB1630143	142.9	38.9	63.9	30	15.918								885144	W2562
BB1630162OS	161.9	38.9	64.69	30	15.969					5.59			885117OS	